



**T&S BRASS AND BRONZE WORKS, INC.**  
 2 Saddleback Cove / P.O. Box 1088  
 Travelers Rest, SC 29690

Model No.  
**B-7242-C01**

Item No.

Travelers Rest, SC: 800-476-4103 • Simi Valley, CA: 800-423-0150 • Fax: 864-834-3518 • www.tsbrass.com

This Space for Architect/Engineer Approval

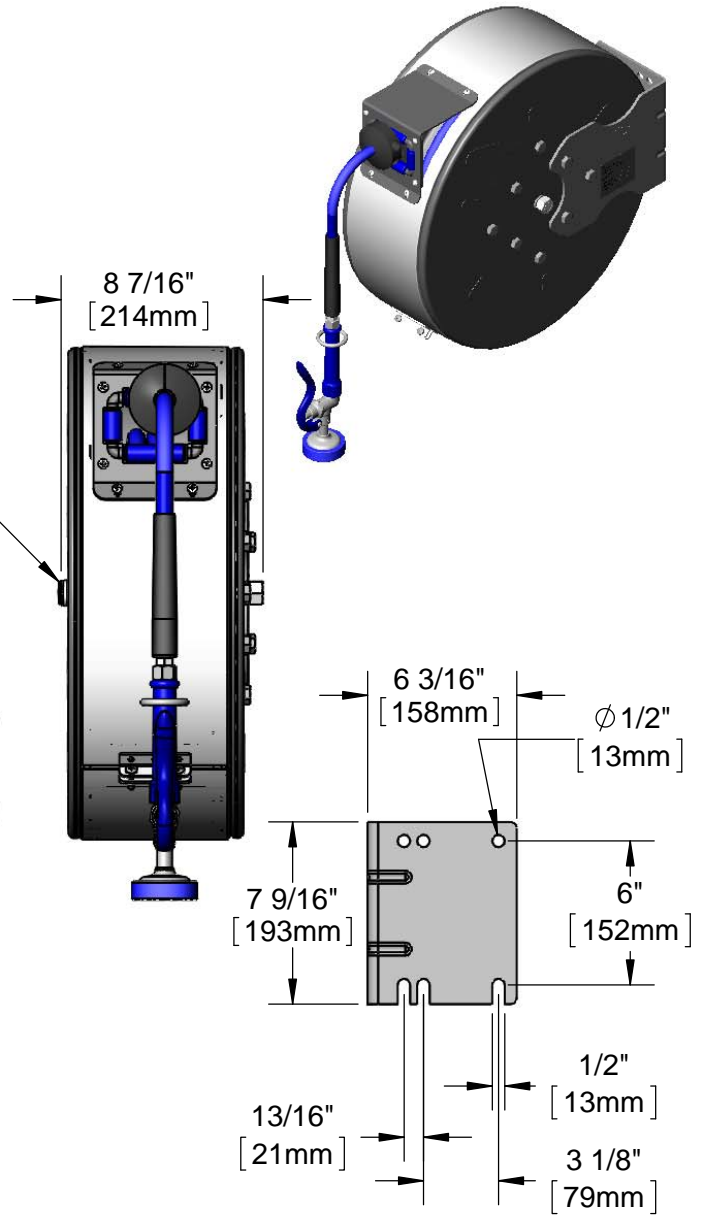
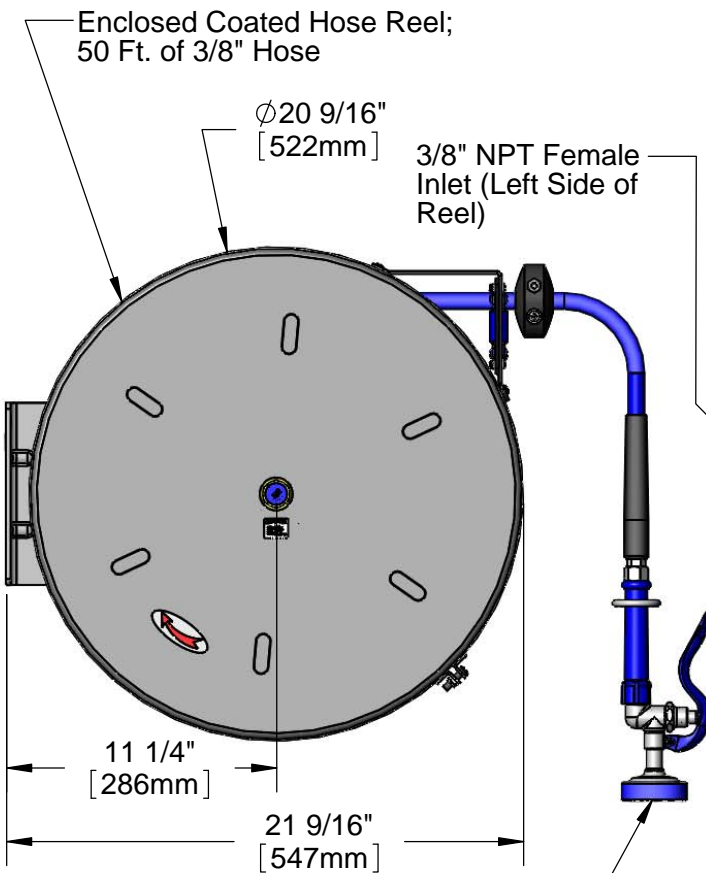
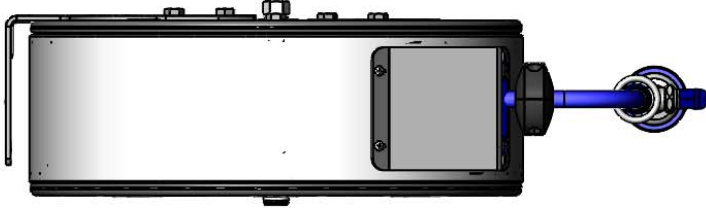
Job Name \_\_\_\_\_ Date \_\_\_\_\_

Model Specified \_\_\_\_\_ Quantity \_\_\_\_\_

Customer/Wholesaler \_\_\_\_\_

Contractor \_\_\_\_\_

Architect/Engineer \_\_\_\_\_



EB-0107  
 High Flow  
 Spray Valve

Product Specifications:  
 Hose Reel System:  
 3/8" x 50 Ft. Enclosed Coated Reel w/ High Flow Spray Valve

Product Compliance:  
 NSF 61 Exempt (Non-Potable)  
 EPA Act 2005 Non-Compliant (PRSV)



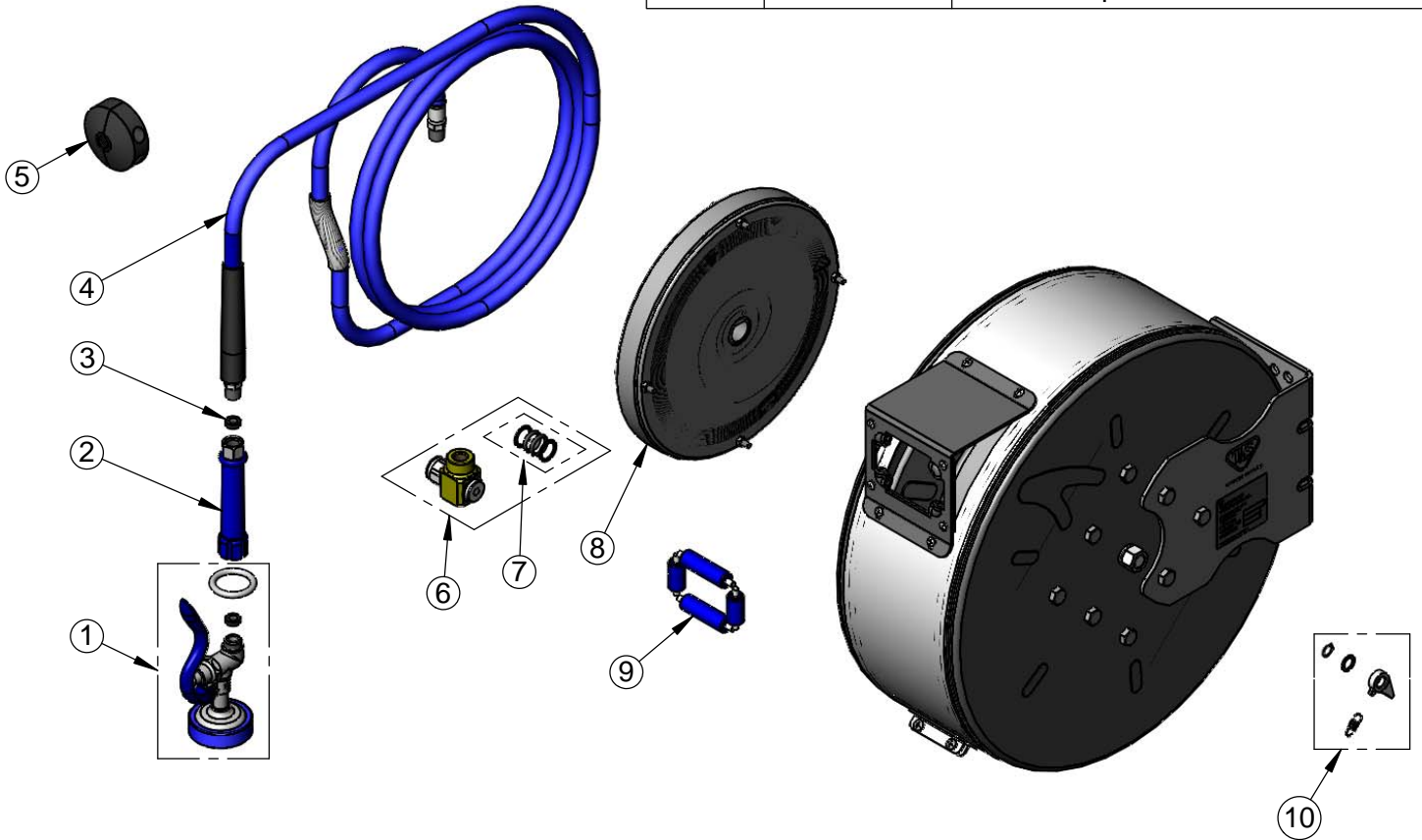
**T&S BRASS AND BRONZE WORKS, INC.**  
 2 Saddleback Cove / P.O. Box 1088  
 Travelers Rest, SC 29690

Model No.  
**B-7242-C01**

Item No.

Travelers Rest, SC: 800-476-4103 • Simi Valley, CA: 800-423-0150 • Fax: 864-834-3518 • www.tsbrass.com

| ITEM NO. | SALES NO. | DESCRIPTION                       |
|----------|-----------|-----------------------------------|
| 1        | EB-0107   | High Flow Spray Valve             |
| 2        | 012504-40 | Blue Grip Handle                  |
| 3        | 010476-45 | #27 Washer                        |
| 4        | 014942-45 | 3/8" x 50' Hose Replacement Kit   |
| 5        | 014949-45 | Hose Stop Repair Kit              |
| 6        | 019561-45 | 3/8" x 50' Swivel Repair Kit      |
| 7        | 019473-45 | 3/8" x 50' O-Ring Replacement Kit |
| 8        | 014934-45 | Large Coated Spring Assembly      |
| 9        | 014937-45 | Roller Replacement Kit            |
| 10       | 014940-45 | Ratchet Repair Kit                |



Product Specifications:  
 Hose Reel System:  
 3/8" x 50 Ft. Enclosed Coated Reel w/ High Flow Spray Valve

Product Compliance:  
 NSF 61 Exempt (Non-Potable)  
 EPA Act 2005 Non-Compliant (PRSV)