



T&S BRASS AND BRONZE WORKS, INC.

2 Saddleback Cove / P.O. Box 1088
Travelers Rest, SC 29690

Model No.

B-7242-05

Item No.

Travelers Rest, SC: 800-476-4103 • Simi Valley, CA: 800-423-0150 • Fax: 864-834-3518 • www.tsbrass.com

This Space for Architect/Engineer Approval

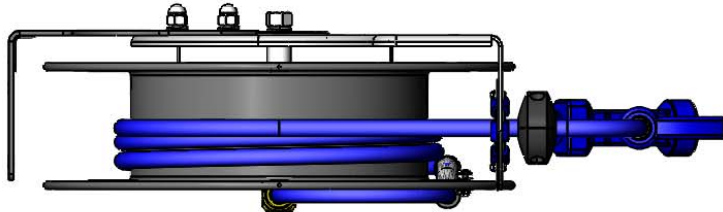
Job Name _____ Date _____

Model Specified _____ Quantity _____

Customer/Wholesaler _____

Contractor _____

Architect/Engineer _____



3/8" NPT Female Inlet
(Left Side of Reel)

Open Coated Hose Reel
50' of 3/8" Hose

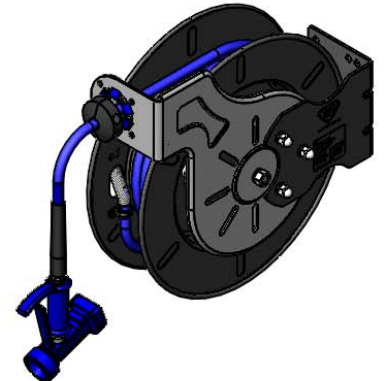
Ø 19 5/8"
[498mm]

20 9/16"
[523mm]

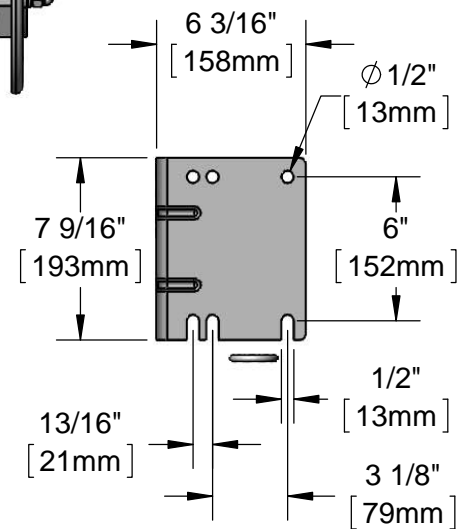
11 1/4"
[286mm]

21 1/16"
[535mm]

9 1/2"
[241mm]



MV-2522-24
Stainless Steel Front
Trigger Water Gun w/
5/16" Orifice



Product Specifications:

3/8" x 50' Open Coated Reel & Stainless Steel Front Trigger Water Gun,
5/16" Orifice

Product Compliance:

NSF 61 Exempt (Non-Potable)
EPA 2005 Non-Compliant (PRSV)



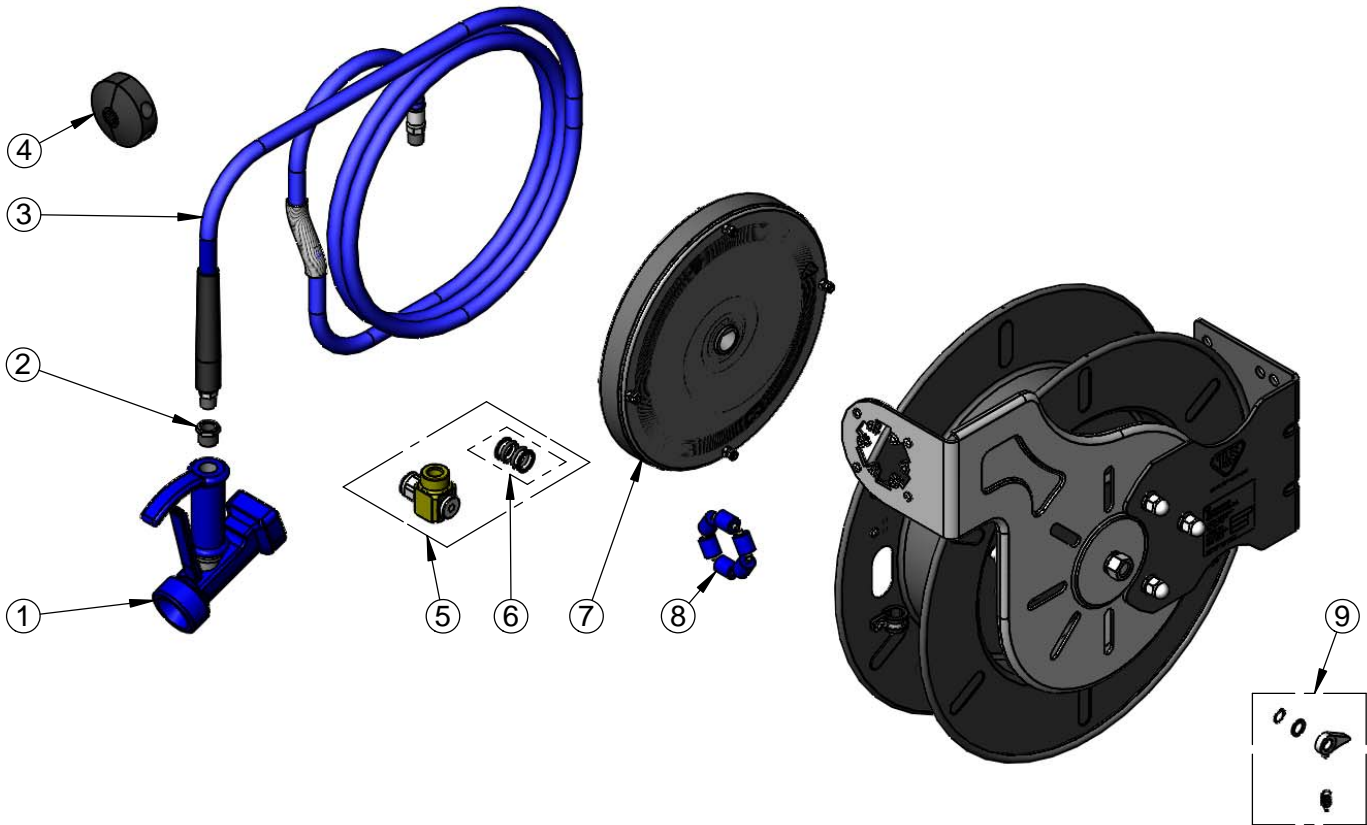
T&S BRASS AND BRONZE WORKS, INC.
 2 Saddleback Cove / P.O. Box 1088
 Travelers Rest, SC 29690

Model No.
B-7242-05

Item No.

Travelers Rest, SC: 800-476-4103 • Simi Valley, CA: 800-423-0150 • Fax: 864-834-3518 • www.tsbrass.com

ITEM NO.	SALES NO.	DESCRIPTION
1	MV-2522-24	Front Trigger Gun, 5/16" Orifice
2	001359-40	Hex Bushing, 1/2" NPT Male x 3/8" NPT Female
3	014942-45	3/8" x 50' Hose Replacement Kit
4	014949-45	Hose Stop Repair Kit
5	019561-45	3/8" x 50' Swivel Repair Kit
6	019473-45	3/8" x 50' O-Ring Replacement Kit
7	014934-45	Large Coated Spring
8	014938-45	Roller Replacement Kit
9	014940-45	Ratchet Repair Kit



Product Specifications:
 3/8" x 50' Open Coated Reel & Stainless Steel Front Trigger Water Gun,
 5/16" Orifice

Product Compliance:
 NSF 61 Exempt (Non-Potable)
 EPA Act 2005 Non-Compliant (PRSV)