



# T&S BRASS AND BRONZE WORKS, INC.

2 Saddleback Cove / P.O. Box 1088  
Travelers Rest, SC 29690

Model No.

**B-7232-01-PSB**

Item No.

Travelers Rest, SC: 800-476-4103 • Simi Valley, CA: 800-423-0150 • Fax: 864-834-3518 • www.tsbrass.com

This Space for Architect/Engineer Approval

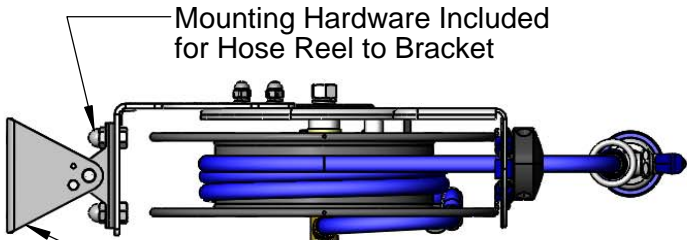
Job Name \_\_\_\_\_ Date \_\_\_\_\_

Model Specified \_\_\_\_\_ Quantity \_\_\_\_\_

Customer/Wholesaler \_\_\_\_\_

Contractor \_\_\_\_\_

Architect/Engineer \_\_\_\_\_



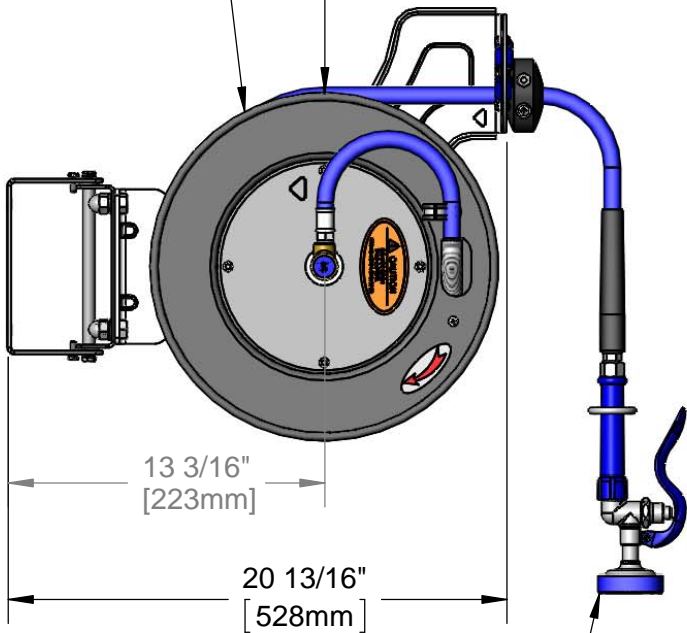
Mounting Hardware Included for Hose Reel to Bracket

3/8" NPT Female Inlet (Left Side of Reel)

Epoxy Coated Wall Mount Swing Bracket w/ 165° of Rotation

Epoxy Coated Open Hose Reel  
35' of 3/8" Hose

Ø 14 1/2" [368mm]

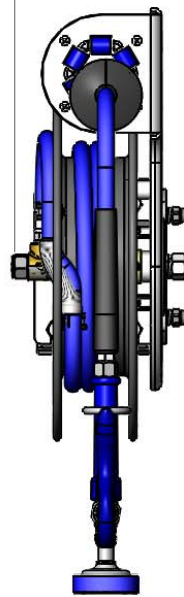


13 3/16" [223mm]

20 13/16" [528mm]

EB-0107 High Flow Spray Valve

7 1/8" [164mm]



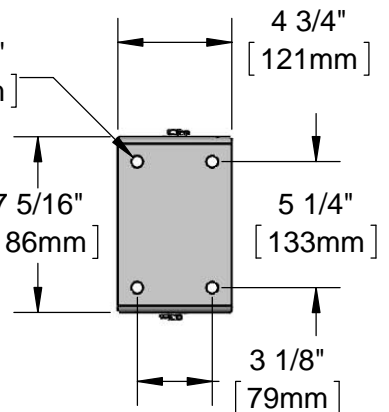
Ø 1/2" [13mm]

7 5/16" [186mm]

4 3/4" [121mm]

5 1/4" [133mm]

3 1/8" [79mm]



**Product Specifications:**  
3/8" x 35' Epoxy Coated Open Reel, High Flow Spray Valve & 165 Degree Stainless Steel Swing Bracket w/ Mounting Hardware for Hose Reel to Bracket

**Product Compliance:**  
NSF 61 Exempt (Non-Potable)  
EPA Act 2005 Non-Compliant (PRSV)



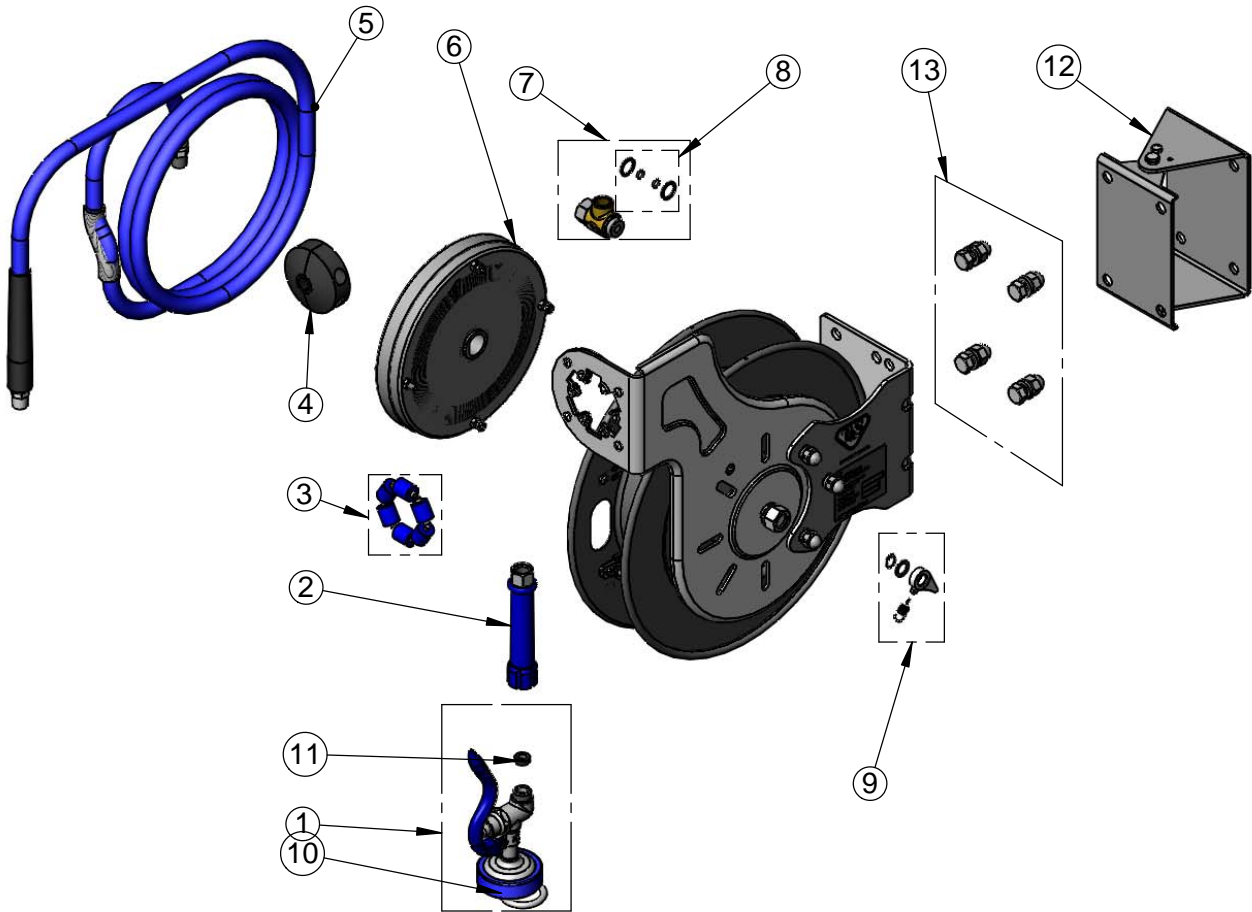
**T&S BRASS AND BRONZE WORKS, INC.**  
 2 Saddleback Cove / P.O. Box 1088  
 Travelers Rest, SC 29690

Model No.  
**B-7232-01-PSB**

Item No.

Travelers Rest, SC: 800-476-4103 • Simi Valley, CA: 800-423-0150 • Fax: 864-834-3518 • www.tsbrass.com

ITEM NO.	SALES NO.	DESCRIPTION
1	EB-0107	High Flow Spray Valve (Blue)
2	012504-40	Grip Handle (Blue) w/ Washer
3	014936-45	Roller Repair Kit
4	014949-45	Hose Stop Repair Kit
5	014941-45	3/8" x 35' Hose Replacement Kit
6	014933-45	Small Stainless Steel Spring
7	014946-45	3/8" Swivel Repair Kit
8	014948-45	O-Ring Replacement Kit
9	014940-45	Ratchet Repair Kit
10	000907-45	Spray Valve Hold Down Ring
11	010476-45	#27 Washer
12	G016636-45	Epoxy Coated Swing Bracket
13	019191-45K	Hose Reel Bracket Mounting Kit



**Product Specifications:**  
 3/8" x 35' Epoxy Coated Open Reel, High Flow Spray Valve &  
 165 Degree Stainless Steel Swing Bracket w/ Mounting Hardware  
 for Hose Reel to Bracket

**Product Compliance:**  
 NSF 61 Exempt (Non-Potable)  
 EPAAct 2005 Non-Compliant (PRSV)