



T&S BRASS AND BRONZE WORKS, INC.
 2 Saddleback Cove / P.O. Box 1088
 Travelers Rest, SC 29690

Model No.
B-7212-02

Item No.

Travelers Rest, SC: 800-476-4103 • Simi Valley, CA: 800-423-0150 • Fax: 864-834-3518 • www.tsbrass.com

This Space for Architect/Engineer Approval

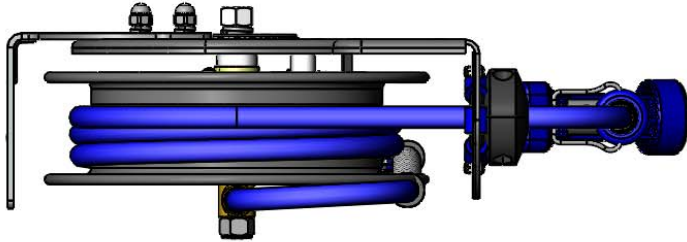
Job Name _____ Date _____

Model Specified _____ Quantity _____

Customer/Wholesaler _____

Contractor _____

Architect/Engineer _____



Open Coated Hose Reel;
 15 Ft. of 3/8" Hose

3/8" NPT Female
 Inlet (Left Side of
 Reel)

Ø12"
 [304mm]

14 3/8"
 [365mm]

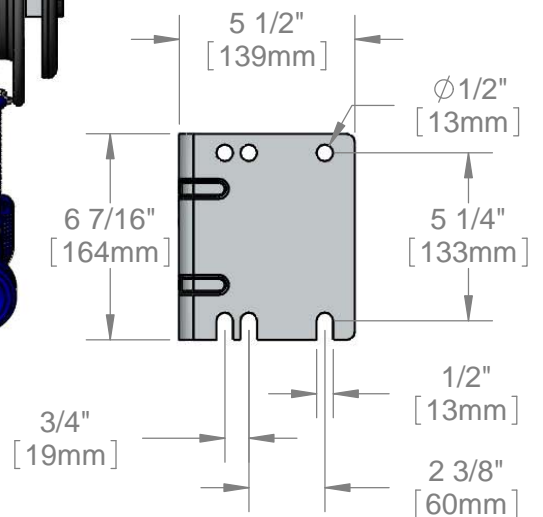
7 3/16"
 [182mm]

15"
 [381mm]

7 1/4"
 [184mm]



MV-2516-24 Rear Trigger
 Style Gun w/ Hold Down Clip,
 Stainless Steel Body and
 Royal Blue Rubber Cover.



Product Specifications:
 Hose Reel System:
 3/8" x 15 Ft. Open Coated Reel w/ Rear Trigger 5/16" Orifice
 Spray Gun

Drawn DHL	Checked DMH	Approved JHB
Scale: 1:6		Date: 02/21/14



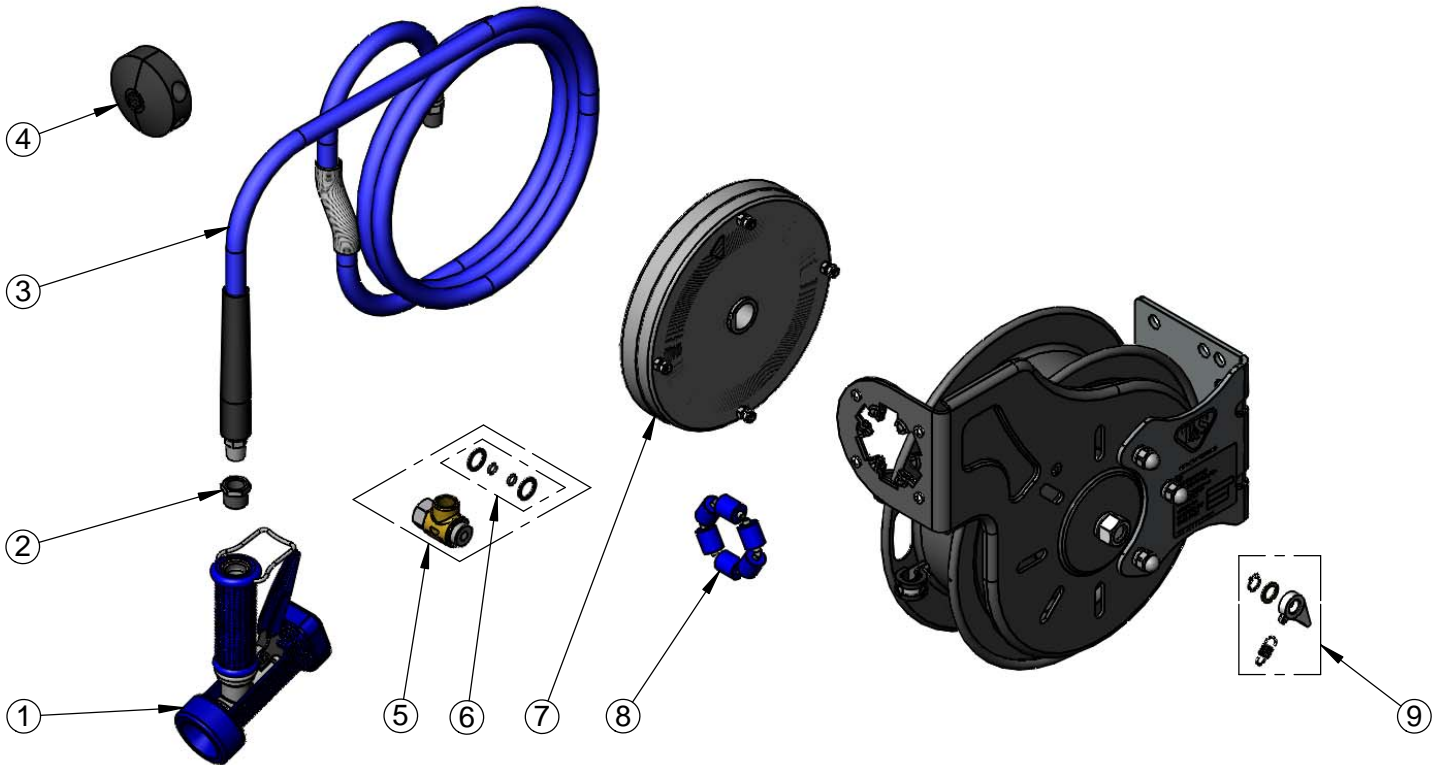
T&S BRASS AND BRONZE WORKS, INC.
 2 Saddleback Cove / P.O. Box 1088
 Travelers Rest, SC 29690

Model No.
B-7212-02

Item No.

Travelers Rest, SC: 800-476-4103 • Simi Valley, CA: 800-423-0150 • Fax: 864-834-3518 • www.tsbrass.com

ITEM NO.	SALES NO.	DESCRIPTION
1	MV-2516-24	Rear Trigger Gun, 5/16" Orifice
2	001359-40	Hex Bushing, 1/2" NPT Male x 3/8" NPT Female
3	014944-45	3/8" x 15' Hose Replacement Kit
4	014949-45	Hose Stop Repair Kit
5	014946-45	3/8" Swivel Repair Kit
6	014948-45	O-Ring Replacement Kit
7	014932-45	Small Coated Spring Assembly
8	014938-45	Roller Replacement Kit
9	014940-45	Ratchet Repair Kit



Product Specifications:
 Hose Reel System:
 3/8" x 15 Ft. Open Coated Reel w/ Rear Trigger 5/16" Orifice
 Spray Gun

Drawn DHL	Checked DMH	Approved JHB
Scale: NTS		Date: 02/21/14