



T&S BRASS AND BRONZE WORKS, INC.
 2 Saddleback Cove / P.O. Box 1088
 Travelers Rest, SC 29690

Model No.
B-7212-01

Item No.

Travelers Rest, SC: 800-476-4103 • Simi Valley, CA: 800-423-0150 • Fax: 864-834-3518 • www.tsbrass.com

This Space for Architect/Engineer Approval

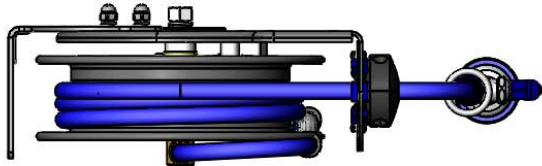
Job Name _____ Date _____

Model Specified _____ Quantity _____

Customer/Wholesaler _____

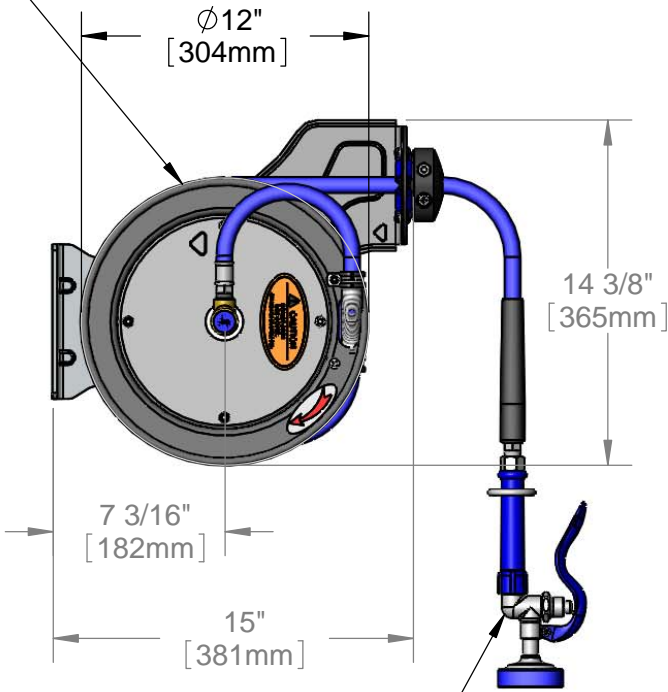
Contractor _____

Architect/Engineer _____

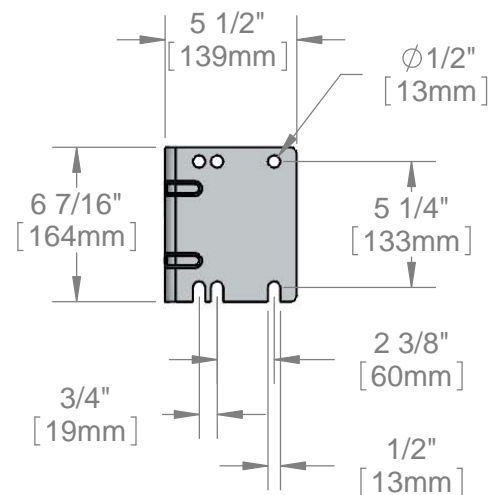
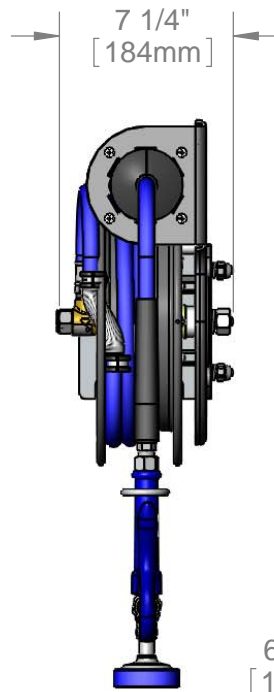


3/8" NPT Female Inlet
 (Left Side of Reel)

Open Coated Hose Reel
 15' of 3/8" Hose



EB-0107
 High Flow
 Spray Valve



Product Specifications:
 3/8" x 15' Open Coated Reel & High Flow Spray Valve

Product Compliance:
 NSF 61 Exempt (Non-Potable)
 EPA Act 2005 Non-Compliant (PRSV)



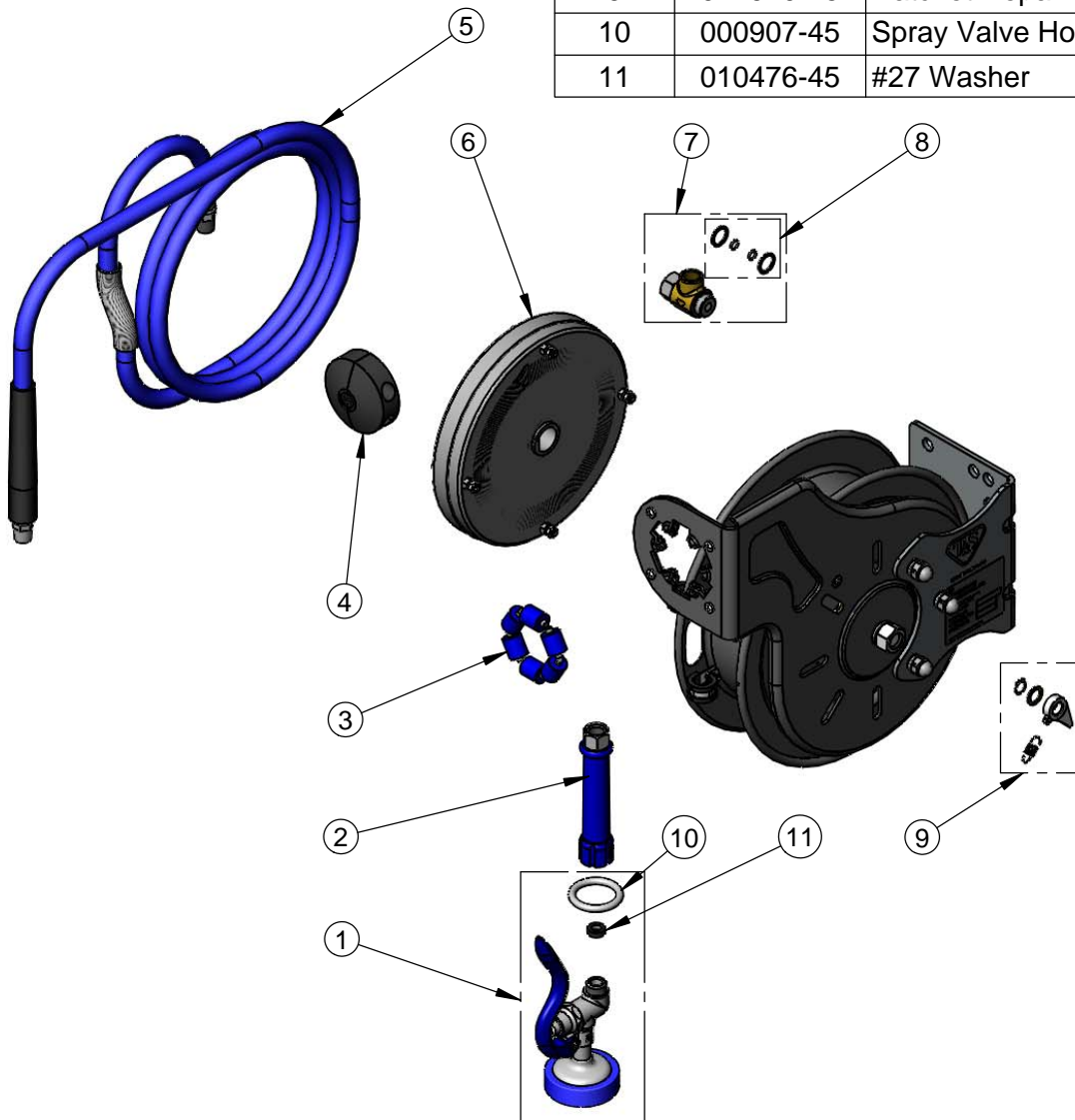
T&S BRASS AND BRONZE WORKS, INC.
 2 Saddleback Cove / P.O. Box 1088
 Travelers Rest, SC 29690

Model No.
B-7212-01

Item No.

Travelers Rest, SC: 800-476-4103 • Simi Valley, CA: 800-423-0150 • Fax: 864-834-3518 • www.tsbrass.com

| ITEM NO. | SALES NO. | DESCRIPTION |
|----------|-----------|--------------------------------|
| 1 | EB-0107 | High Flow Spray Valve (Blue) |
| 2 | 012504-40 | Grip Handle (Blue) w/ Washer |
| 3 | 014938-45 | Roller Repair Kit |
| 4 | 014949-45 | Hose Stop Repair Kit |
| 5 | 014944-45 | 38" x 15' Hose Replacement Kit |
| 6 | 014932-45 | Small Coated Spring |
| 7 | 014946-45 | 3/8" Swivel Repair Kit |
| 8 | 014948-45 | O-Ring Replacement Kit |
| 9 | 014940-45 | Ratchet Repair Kit |
| 10 | 000907-45 | Spray Valve Hold Down Ring |
| 11 | 010476-45 | #27 Washer |



Product Specifications:
 3/8" x 15' Open Coated Reel & High Flow Spray Valve

Product Compliance:
 NSF 61 Exempt (Non-Potable)
 EPA Act 2005 Non-Compliant (PRSV)