



T&S BRASS AND BRONZE WORKS, INC.
 2 Saddleback Cove / P.O. Box 1088
 Travelers Rest, SC 29690

Model No.
B-7212-01-PPB

Item No.

Travelers Rest, SC: 800-476-4103 • Simi Valley, CA: 800-423-0150 • Fax: 864-834-3518 • www.tsbrass.com

This Space for Architect/Engineer Approval

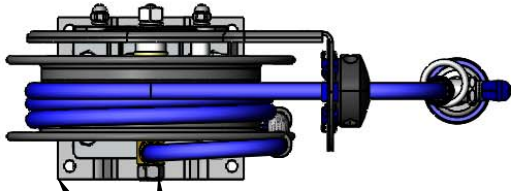
Job Name _____ Date _____

Model Specified _____ Quantity _____

Customer/Wholesaler _____

Contractor _____

Architect/Engineer _____



3/8" NPT Female Inlet
 (Left Side of Reel)

Epoxy Coated Deck Mount
 Pivot Bracket w/ 345° of
 Rotation

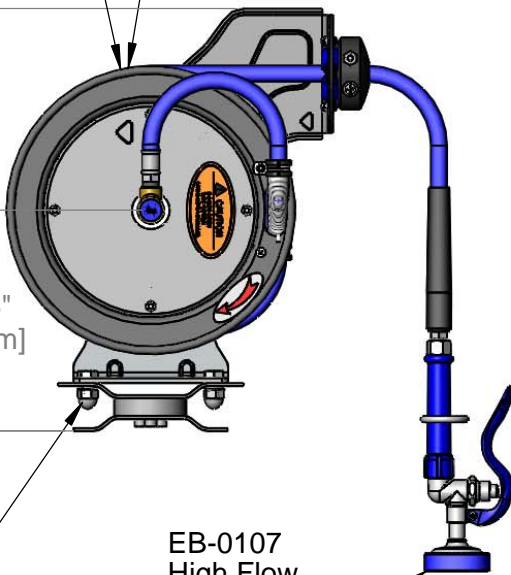
Ø 12"
 [305mm]

Epoxy Coated Open
 Hose Reel
 15' of 3/8" Hose



17 5/8"
 [447mm]

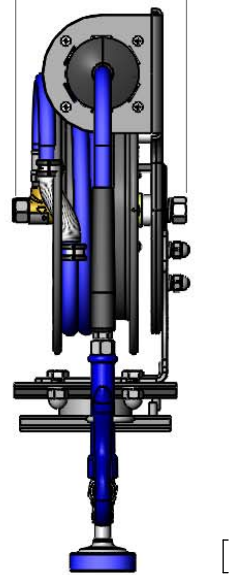
9 3/16"
 [223mm]



EB-0107
 High Flow
 Spray Valve

Mounting Hardware Included
 for Hose Reel to Bracket

7 1/8"
 [164mm]



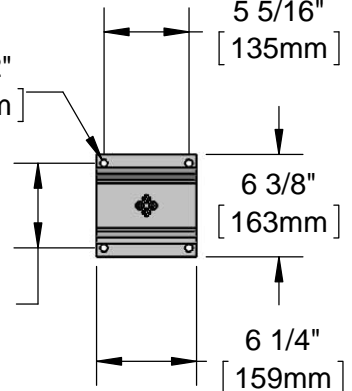
Ø 1/2"
 [12mm]

5 5/16"
 [135mm]

6 3/8"
 [163mm]

5 5/16"
 [134mm]

6 1/4"
 [159mm]



Product Specifications:
 3/8" x 15' Epoxy Coated Open Reel, High Flow Spray Valve &
 345 Degree Epoxy Coated Pivot Deck Mount Bracket
 w/ Mounting Hardware for Hose Reel to Bracket

Product Compliance:
 NSF 61 Exempt (Non-Potable)
 EPAAct 2005 Non-Compliant (PRSV)



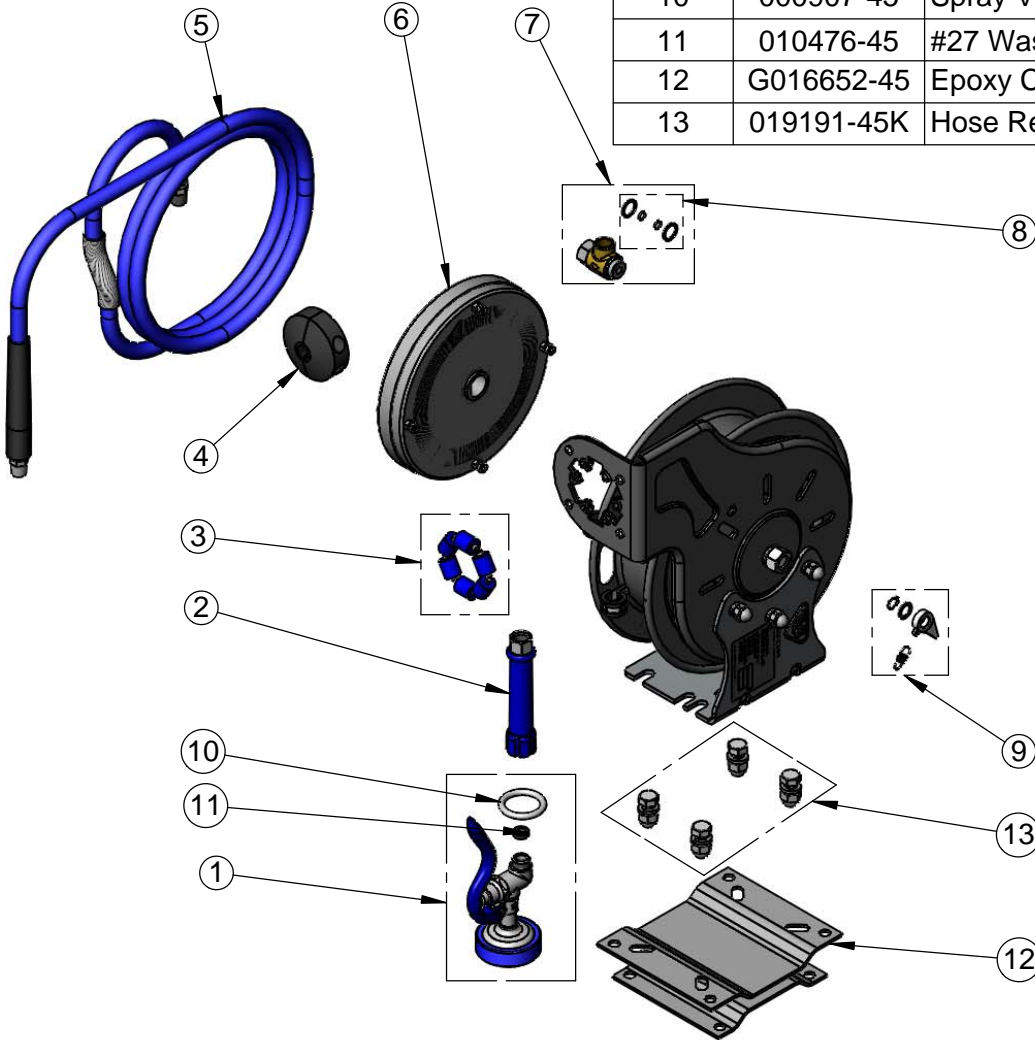
T&S BRASS AND BRONZE WORKS, INC.
 2 Saddleback Cove / P.O. Box 1088
 Travelers Rest, SC 29690

Model No.
B-7212-01-PPB

Item No.

Travelers Rest, SC: 800-476-4103 • Simi Valley, CA: 800-423-0150 • Fax: 864-834-3518 • www.tsbrass.com

ITEM NO.	SALES NO.	DESCRIPTION
1	EB-0107	High Flow Spray Valve (Blue)
2	012504-40	Grip Handle (Blue) w/ Washer
3	014936-45	Roller Repair Kit
4	014949-45	Hose Stop Repair Kit
5	014944-45	3/8" x 15' Hose Replacement Kit
6	014933-45	Small Stainless Steel Spring
7	014946-45	3/8" Swivel Repair Kit
8	014948-45	O-Ring Replacement Kit
9	014940-45	Ratchet Repair Kit
10	000907-45	Spray Valve Hold Down Ring
11	010476-45	#27 Washer
12	G016652-45	Epoxy Coated Pivot Bracket
13	019191-45K	Hose Reel Bracket Mounting Kit



Product Specifications:
 3/8" x 15' Epoxy Coated Open Reel, High Flow Spray Valve &
 345 Degree Epoxy Coated Pivot Deck Mount Bracket
 w/ Mounting Hardware for Hose Reel to Bracket

Product Compliance:
 NSF 61 Exempt (Non-Potable)
 EPA Act 2005 Non-Compliant (PRSV)