



T&S BRASS AND BRONZE WORKS, INC.
 2 Saddleback Cove / P.O. Box 1088
 Travelers Rest, SC 29690

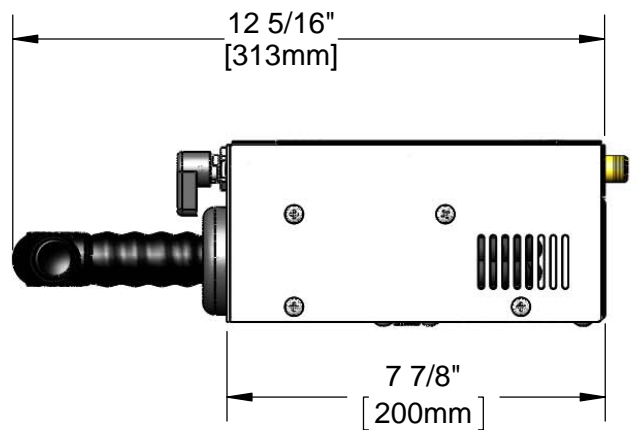
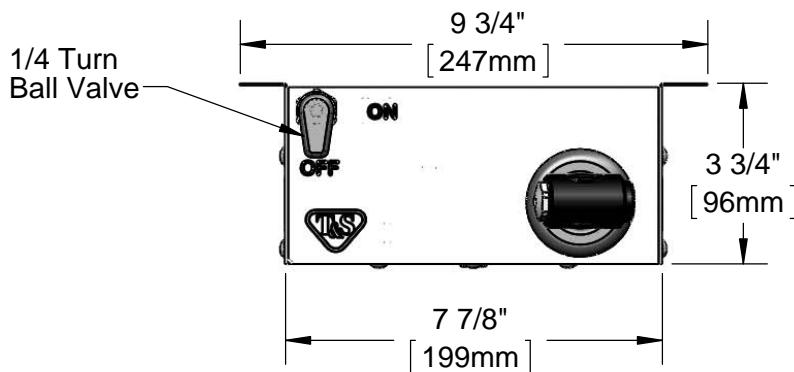
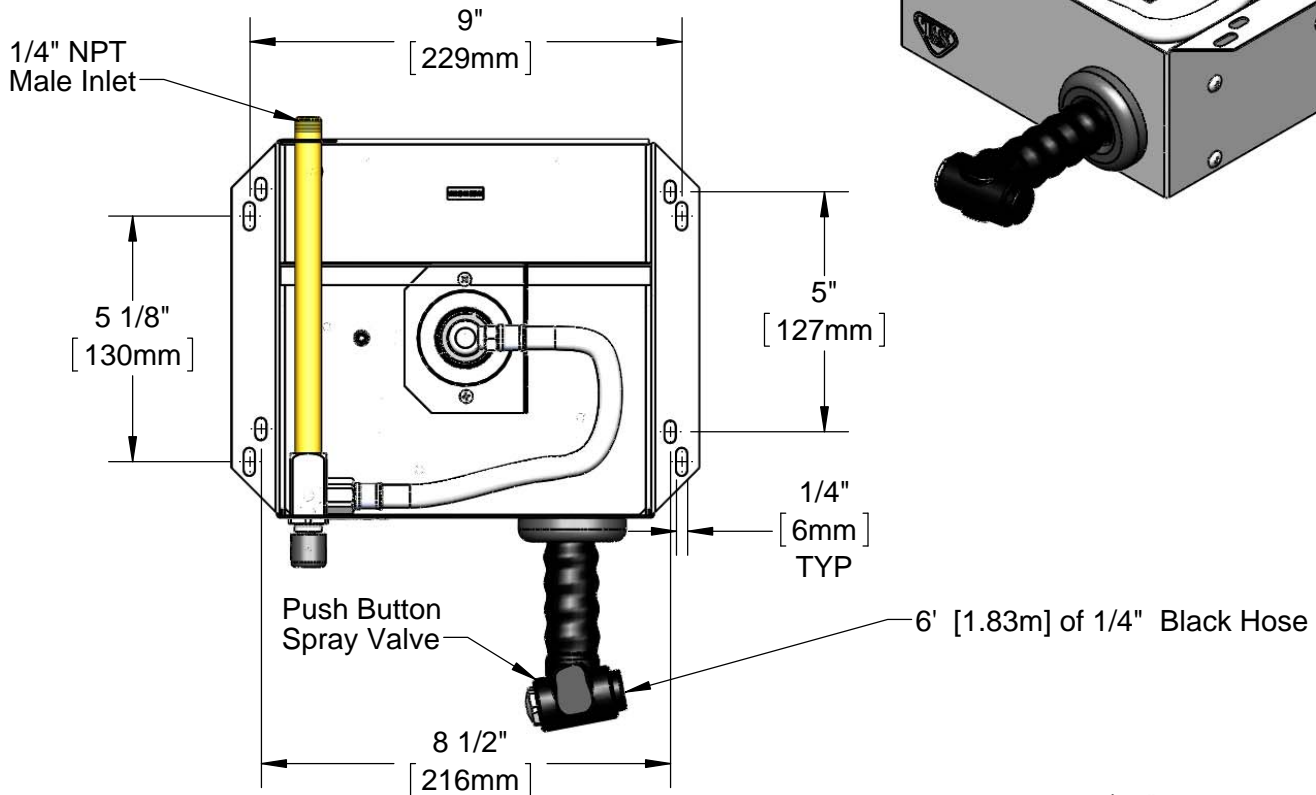
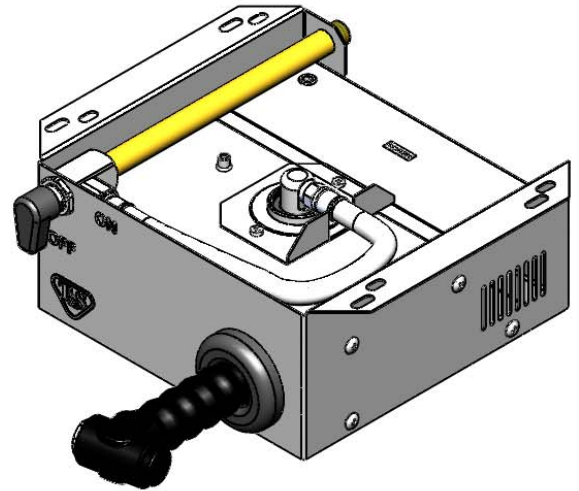
Model No.
B-7161-C

Item No.

Travelers Rest, SC: 800-476-4103 • Simi Valley, CA: 800-423-0150 • Fax: 864-834-3518 • www.tsbrass.com

This Space for Architect/Engineer Approval

Job Name _____ Date _____
 Model Specified _____ Quantity _____
 Customer/Wholesaler _____
 Contractor _____
 Architect/Engineer _____



Product Specifications:

6' Combi Oven Hose Reel w/ Stainless Steel Shroud, Retractable Hose with Push Button Spray Valve, 1/4" NPT Supply Nipple & 1/4 Turn Supply Valve

Product Compliance:

NSF 61 Exempt (Non-Potable)
 EPA Act 2005 Non-Compliant (PRSV)



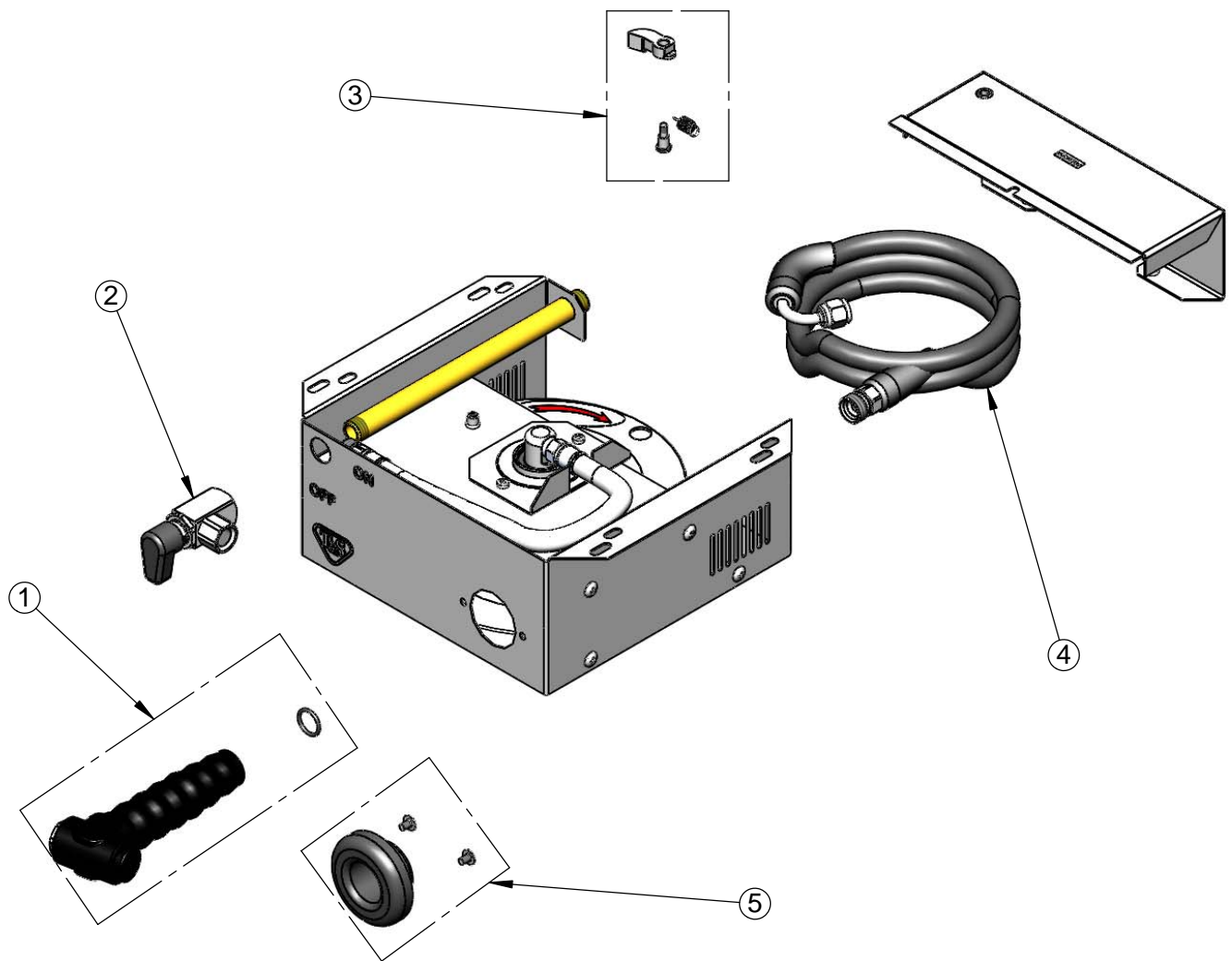
T&S BRASS AND BRONZE WORKS, INC.
 2 Saddleback Cove / P.O. Box 1088
 Travelers Rest, SC 29690

Model No.
B-7161-C

Item No.

Travelers Rest, SC: 800-476-4103 • Simi Valley, CA: 800-423-0150 • Fax: 864-834-3518 • www.tsbrass.com

ITEM NO.	SALES NO.	DESCRIPTION
1	018332-45	Push Button Spray Valve
2	018528-45	1/4 Turn Supply Valve
3	018355-45	Ratchet Repair Kit
4	018327-45	6' [1.83m] of 1/4" Black Hose w/ Bend Restrictors
5	018325-45	Hose Guide Repair Kit



Product Specifications:

6' Combi Oven Hose Reel w/ Stainless Steel Shroud, Retractable Hose with Push Button Spray Valve, 1/4" NPT Supply Nipple & 1/4 Turn Supply Valve

Product Compliance:

NSF 61 Exempt (Non-Potable)
 EPA Act 2005 Non-Compliant (PRSV)