



**T&S BRASS AND BRONZE WORKS, INC.**  
 2 Saddleback Cove / P.O. Box 1088  
 Travelers Rest, SC 29690

Model No.  
**B-7143**

Item No.

Travelers Rest, SC: 800-476-4103 • Simi Valley, CA: 800-423-0150 • Fax: 864-834-3518 • www.tsbrass.com

This Space for Architect/Engineer Approval

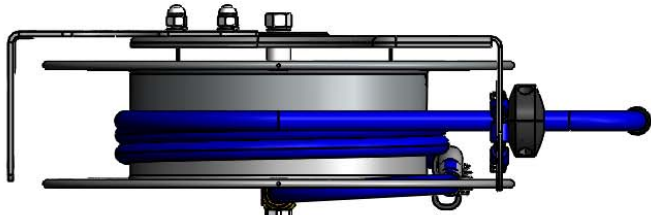
Job Name \_\_\_\_\_ Date \_\_\_\_\_

Model Specified \_\_\_\_\_ Quantity \_\_\_\_\_

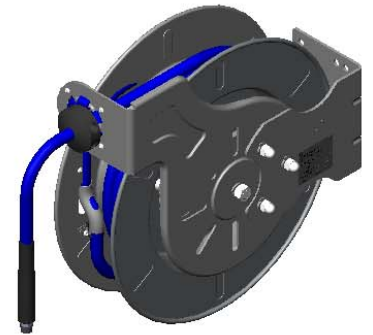
Customer/Wholesaler \_\_\_\_\_

Contractor \_\_\_\_\_

Architect/Engineer \_\_\_\_\_



1/2" NPT Female Inlet  
 (Left Side of Reel)

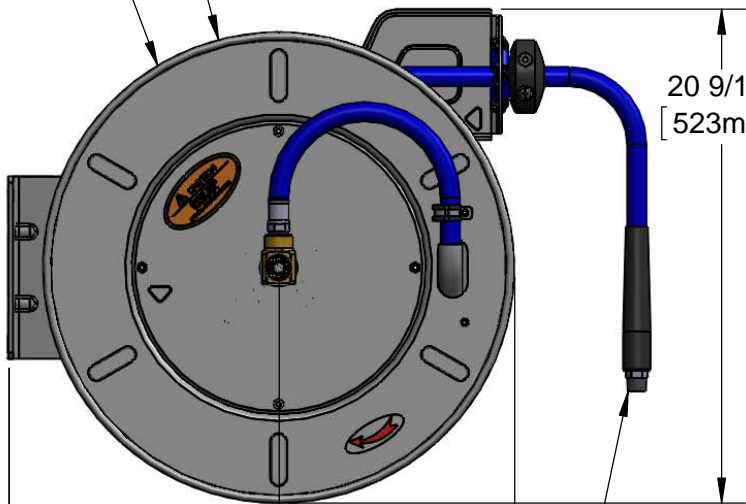


Open Stainless Steel Hose Reel  
 50' of 1/2" Hose

Ø 19 5/8"  
 [498mm]

9 7/16"  
 [240mm]

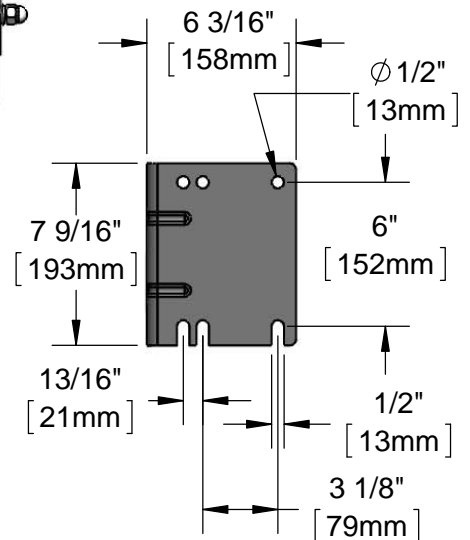
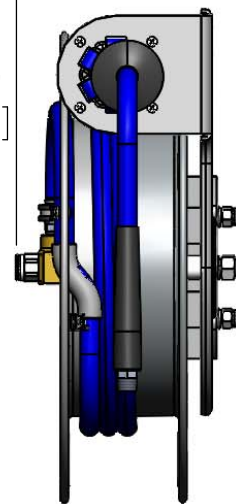
20 9/16"  
 [523mm]



11 1/4"  
 [286mm]

21 1/16"  
 [535mm]

1/2" NPT  
 Male Outlet



6 3/16"  
 [158mm]

Ø 1/2"  
 [13mm]

7 9/16"  
 [193mm]

6"  
 [152mm]

13/16"  
 [21mm]

1/2"  
 [13mm]

3 1/8"  
 [79mm]

Product Specifications:  
 1/2" x 50' Open Stainless Steel Reel w/ 1/2" NPT Hose Outlet

Product Compliance:  
 NSF 61 Exempt (Non-Potable)



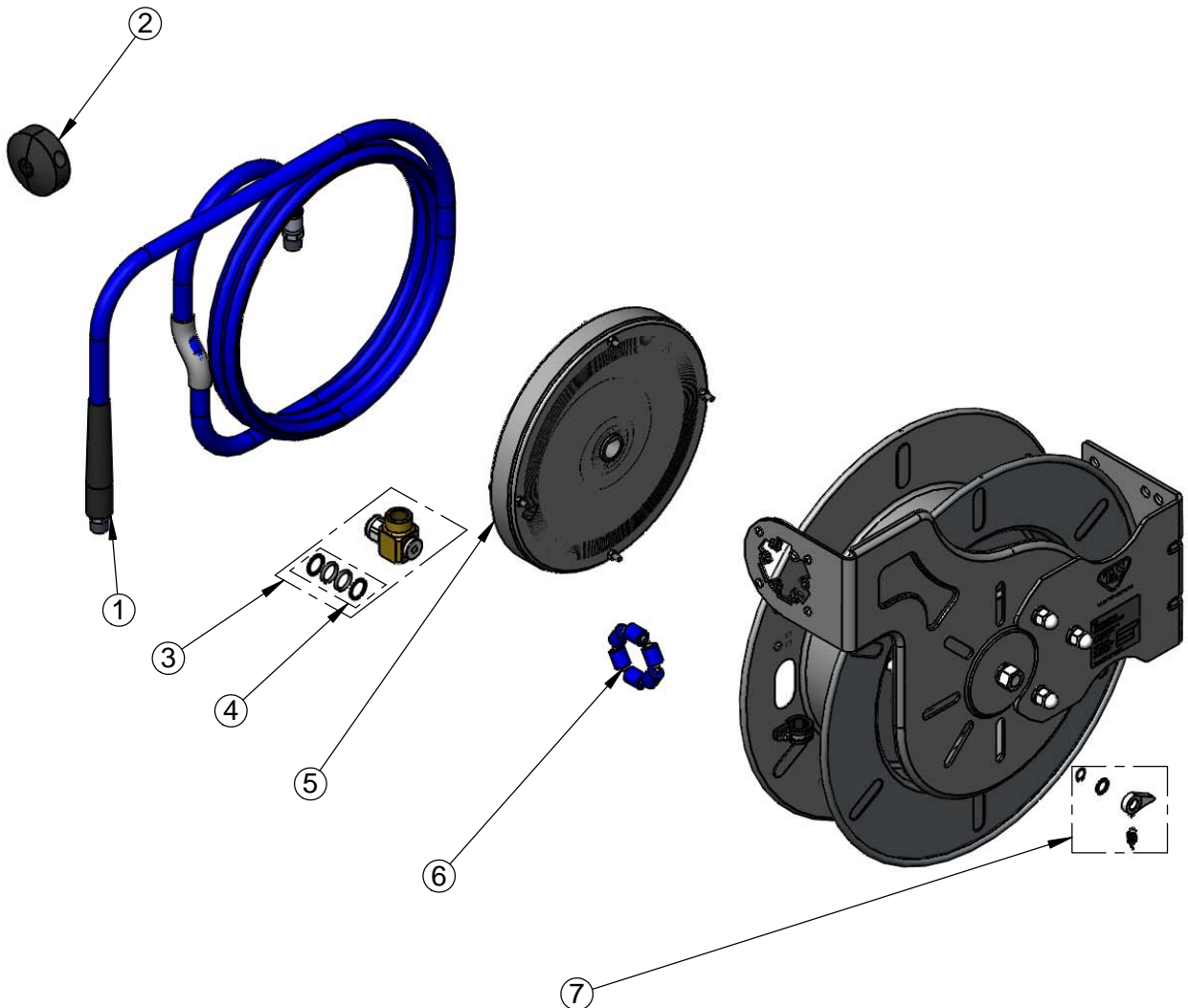
**T&S BRASS AND BRONZE WORKS, INC.**  
 2 Saddleback Cove / P.O. Box 1088  
 Travelers Rest, SC 29690

Model No.  
**B-7143**

Item No.

Travelers Rest, SC: 800-476-4103 • Simi Valley, CA: 800-423-0150 • Fax: 864-834-3518 • www.tsbrass.com

| ITEM NO. | SALES NO. | DESCRIPTION                     |
|----------|-----------|---------------------------------|
| 1        | 014945-45 | 1/2" x 50' Hose Replacement Kit |
| 2        | 019499-45 | 1/2" Hose Stop Repair Kit       |
| 3        | 014947-45 | 1/2" Swivel Repair Kit          |
| 4        | 019473-45 | O-Ring Replacement Kit          |
| 5        | 014935-45 | Large Stainless Steel Spring    |
| 6        | 014938-45 | Roller Replacement Kit          |
| 7        | 014940-45 | Ratchet Repair Kit              |



Product Specifications:  
 1/2" x 50' Open Stainless Steel Reel w/ 1/2" NPT Hose Outlet

Product Compliance:  
 NSF 61 Exempt (Non-Potable)