



**T&S BRASS AND BRONZE WORKS, INC.**  
 2 Saddleback Cove / P.O. Box 1088  
 Travelers Rest, SC 29690

Model No.  
**B-7143-01**

Item No.

Travelers Rest, SC: 800-476-4103 • Simi Valley, CA: 800-423-0150 • Fax: 864-834-3518 • www.tsbrass.com

This Space for Architect/Engineer Approval

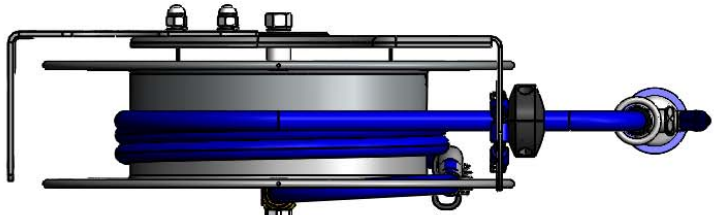
Job Name \_\_\_\_\_ Date \_\_\_\_\_

Model Specified \_\_\_\_\_ Quantity \_\_\_\_\_

Customer/Wholesaler \_\_\_\_\_

Contractor \_\_\_\_\_

Architect/Engineer \_\_\_\_\_



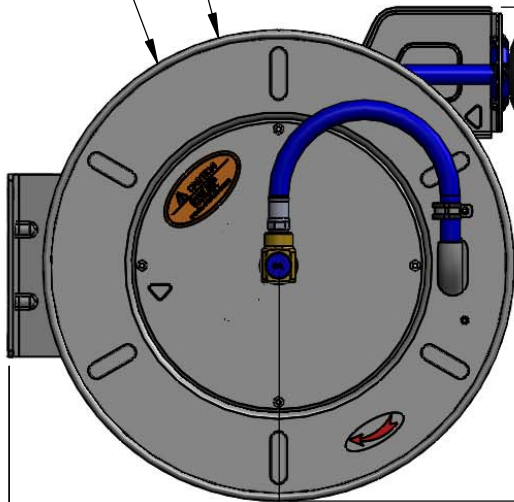
1/2" NPT Female Inlet  
 (Left Side of Reel)

Open Stainless Steel Hose Reel  
 50' of 1/2" Hose

Ø 19 5/8"  
 [498mm]

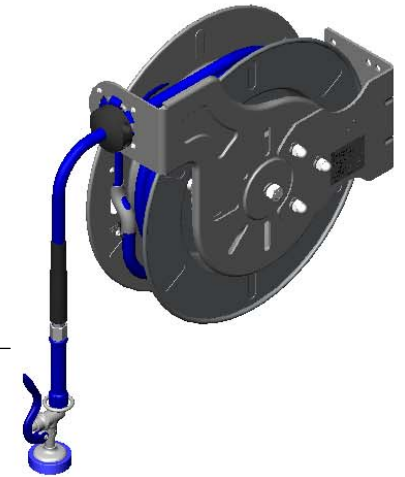
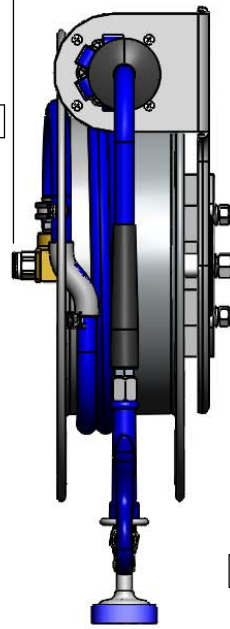
9 7/16"  
 [240mm]

20 9/16"  
 [523mm]



11 1/4"  
 [286mm]

21 1/16"  
 [535mm]



EB-0107  
 High Flow  
 Spray Valve

6 3/16"  
 [158mm]

Ø 1/2"  
 [13mm]

7 9/16"  
 [193mm]

6"  
 [152mm]

13/16"  
 [21mm]

1/2"  
 [13mm]

3 1/8"  
 [79mm]

Product Specifications:  
 1/2" x 50' Open Stainless Steel Reel, High Flow Spray Valve  
 and 1/2" NPT Female Inlet

Product Compliance:  
 NSF 61 Exempt (Non-Potable)  
 EPA Act 2005 Non-Compliant (PRSV)



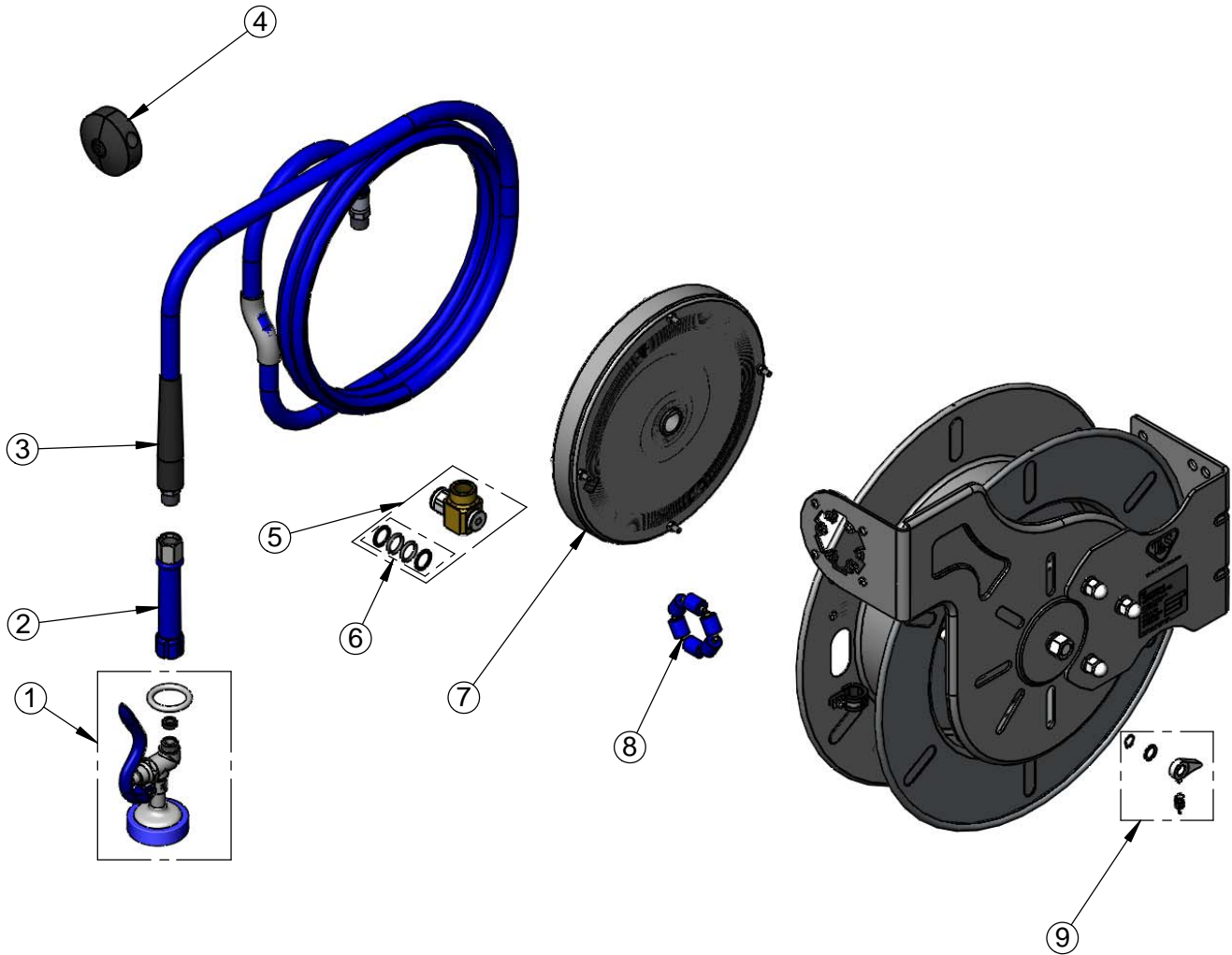
**T&S BRASS AND BRONZE WORKS, INC.**  
 2 Saddleback Cove / P.O. Box 1088  
 Travelers Rest, SC 29690

Model No.  
**B-7143-01**

Item No.

Travelers Rest, SC: 800-476-4103 • Simi Valley, CA: 800-423-0150 • Fax: 864-834-3518 • www.tsbrass.com

ITEM NO.	SALES NO.	DESCRIPTION
1	EB-0107	High Flow Spray Valve
2	015082-40	Blue Grip Handle w/ Washer
3	014945-45	1/2" x 50' Hose Replacement Kit
4	019499-45	1/2" Hose Stop Repair Kit
5	014947-45	1/2" Swivel Repair Kit
6	019473-45	O-Ring Replacement Kit
7	014935-45	Large Stainless Steel Spring
8	014938-45	Roller Replacement Kit
9	014940-45	Ratchet Repair Kit



Product Specifications:  
 1/2" x 50' Open Stainless Steel Reel, High Flow Spray Valve  
 and 1/2" NPT Female Inlet

Product Compliance:  
 NSF 61 Exempt (Non-Potable)  
 EPA Act 2005 Non-Compliant (PRSV)