



T&S BRASS AND BRONZE WORKS, INC.
 2 Saddleback Cove / P.O. Box 1088
 Travelers Rest, SC 29690

Model No.
B-7142-C08M

Item No.

Travelers Rest, SC: 800-476-4103 • Simi Valley, CA: 800-423-0150 • Fax: 864-834-3518 • www.tsbrass.com

This Space for Architect/Engineer Approval

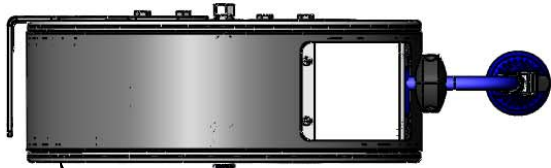
Job Name _____ Date _____

Model Specified _____ Quantity _____

Customer/Wholesaler _____

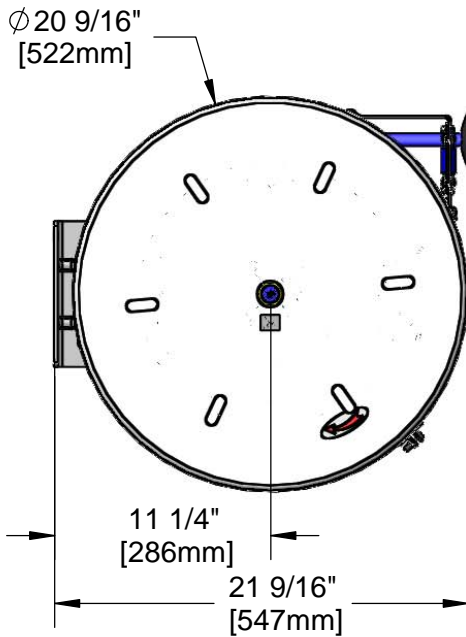
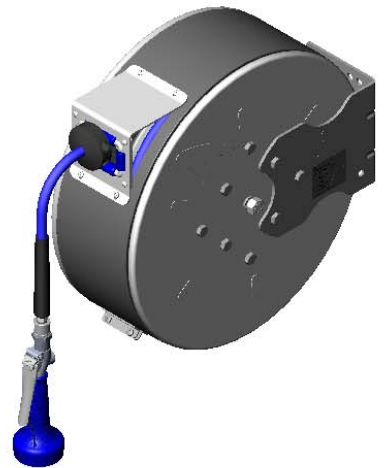
Contractor _____

Architect/Engineer _____



3/8" NPT Female Inlet
 (Left Side of Reel)

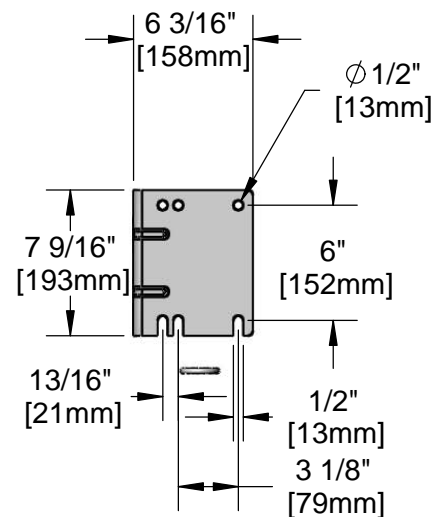
Enclosed Stainless Steel Hose Reel;
 50 Ft. of 3/8" Hose



8 7/16" [214mm]

019652-40
 3/8" NPT
 Live Swivel

B-0108
 1.48 GPM
 Spray Valve



Product Specifications:
 3/8" x 50 Ft. Enclosed Stainless Steel Reel w/ 1.48 GPM Flow & Swivel

Product Compliance:
 NSF 61 Exempt (Non-Potable)
 EPA Act 2005 (PRSV)



T&S BRASS AND BRONZE WORKS, INC.

2 Saddleback Cove / P.O. Box 1088
Travelers Rest, SC 29690

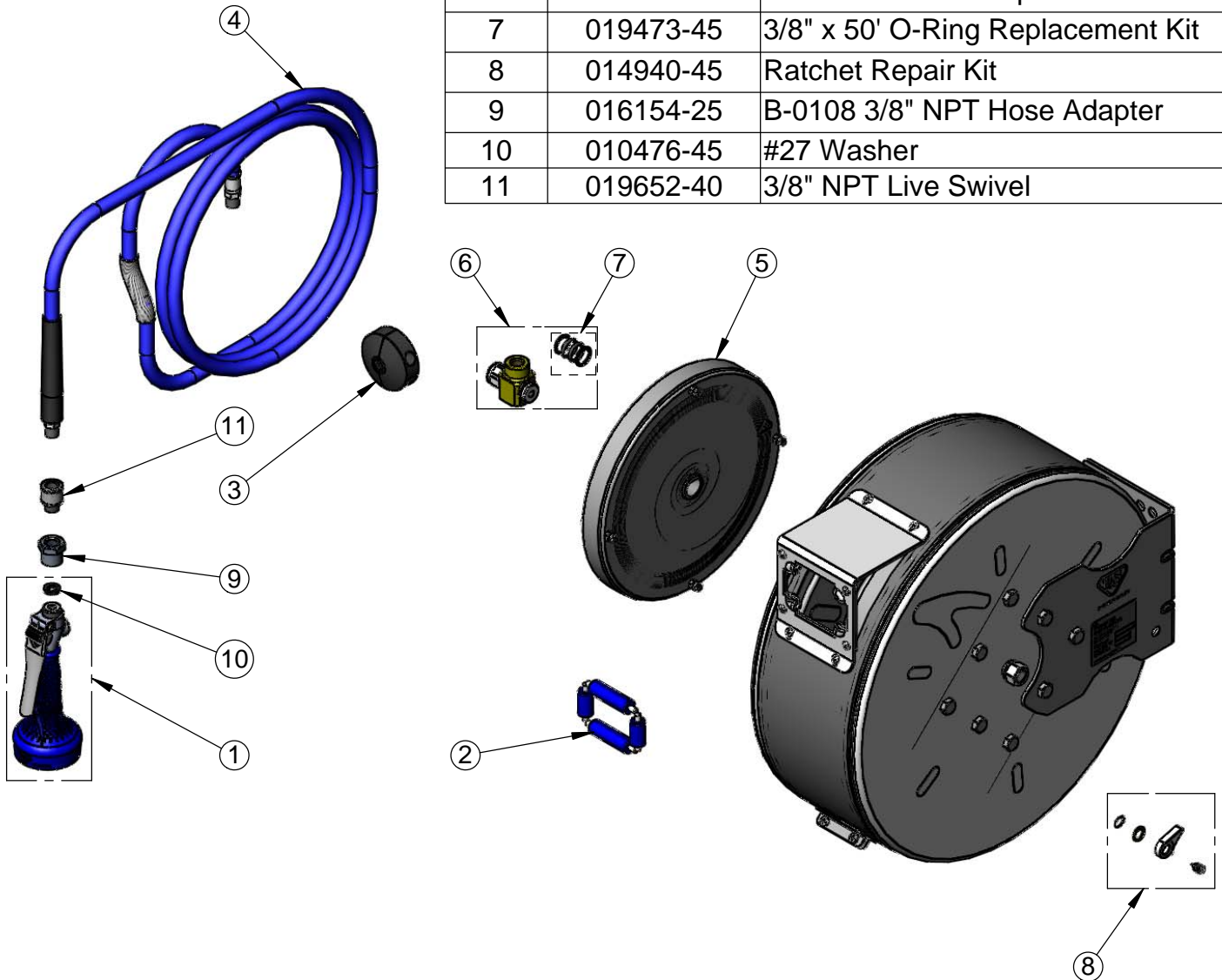
Model No.

B-7142-C08M

Item No.

Travelers Rest, SC: 800-476-4103 • Simi Valley, CA: 800-423-0150 • Fax: 864-834-3518 • www.tsbrass.com

ITEM NO.	SALES NO.	DESCRIPTION
1	B-0108	1.48 GPM Spray Valve
2	014937-45	Roller Assembly Repair Kit
3	014949-45	Hose Stop Repair Kit
4	014942-45	3/8" x 50' Hose Replacement Kit
5	014935-45	Large SS Spring Assembly
6	019561-45	3/8" x 50' Swivel Repair Kit
7	019473-45	3/8" x 50' O-Ring Replacement Kit
8	014940-45	Ratchet Repair Kit
9	016154-25	B-0108 3/8" NPT Hose Adapter
10	010476-45	#27 Washer
11	019652-40	3/8" NPT Live Swivel



Product Specifications:
3/8" x 50 Ft. Enclosed Stainless Steel Reel w/ 1.48 GPM Flow & Swivel

Product Compliance:
NSF 61 Exempt (Non-Potable)
EPA Act 2005 (PRSV)