



T&S BRASS AND BRONZE WORKS, INC.

2 Saddleback Cove / P.O. Box 1088
Travelers Rest, SC 29690

Model No.

B-7142-C01

Item No.

Travelers Rest, SC: 800-476-4103 • Simi Valley, CA: 800-423-0150 • Fax: 864-834-3518 • www.tsbrass.com

This Space for Architect/Engineer Approval

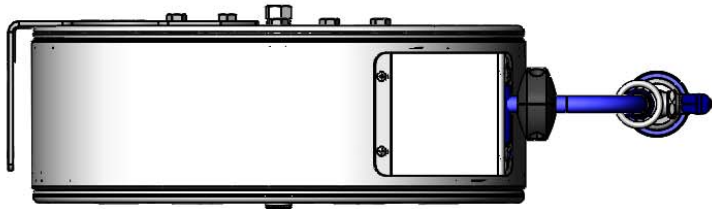
Job Name _____ Date _____

Model Specified _____ Quantity _____

Customer/Wholesaler _____

Contractor _____

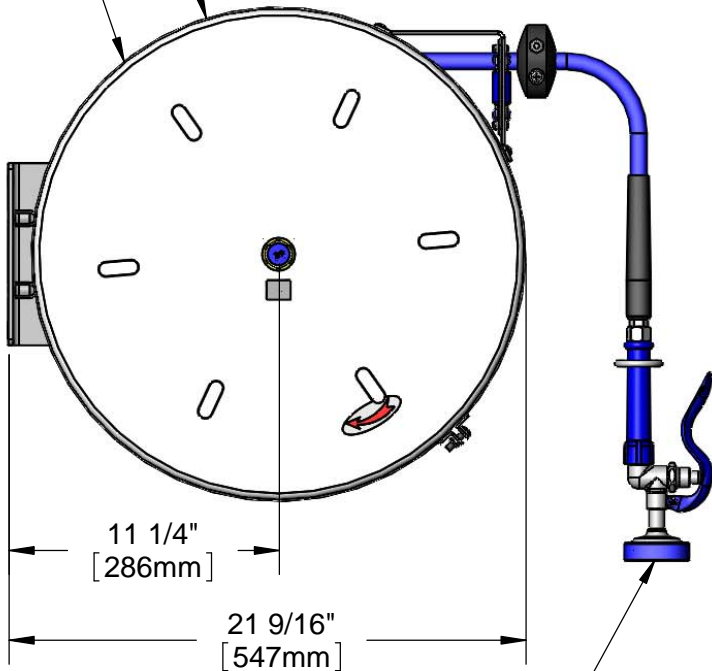
Architect/Engineer _____



3/8" NPT Female Inlet
(Left Side of Reel)

Enclosed Stainless Steel Hose Reel
50' of 3/8" Hose

Ø20 9/16"
[522mm]

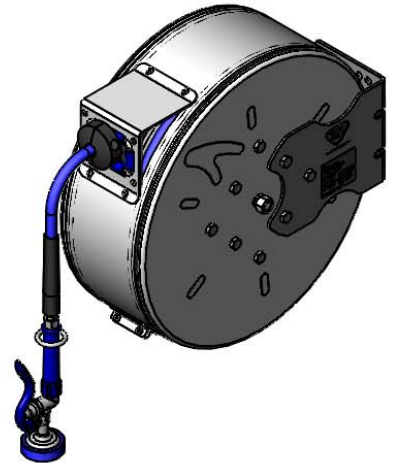
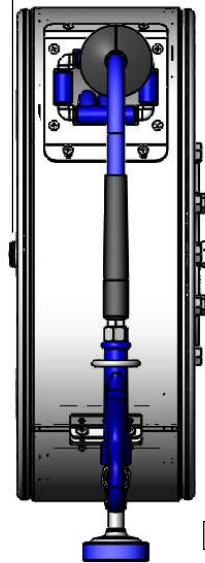


11 1/4"
[286mm]

21 9/16"
[547mm]

EB-0107
High Flow
Spray Valve

8 7/16"
[214mm]



6 3/16"
[158mm]

Ø1/2"
[13mm]

7 9/16"
[193mm]

6"
[152mm]

13/16"
[21mm]

1/2"
[13mm]

3 1/8"
[79mm]

Product Specifications:

3/8" x 50' Enclosed Stainless Steel Reel w/ High Flow Spray Valve

Product Compliance:

NSF 61 Exempt (Non-Potable)
EPA Act 2005 Non-Compliant (PRSV)



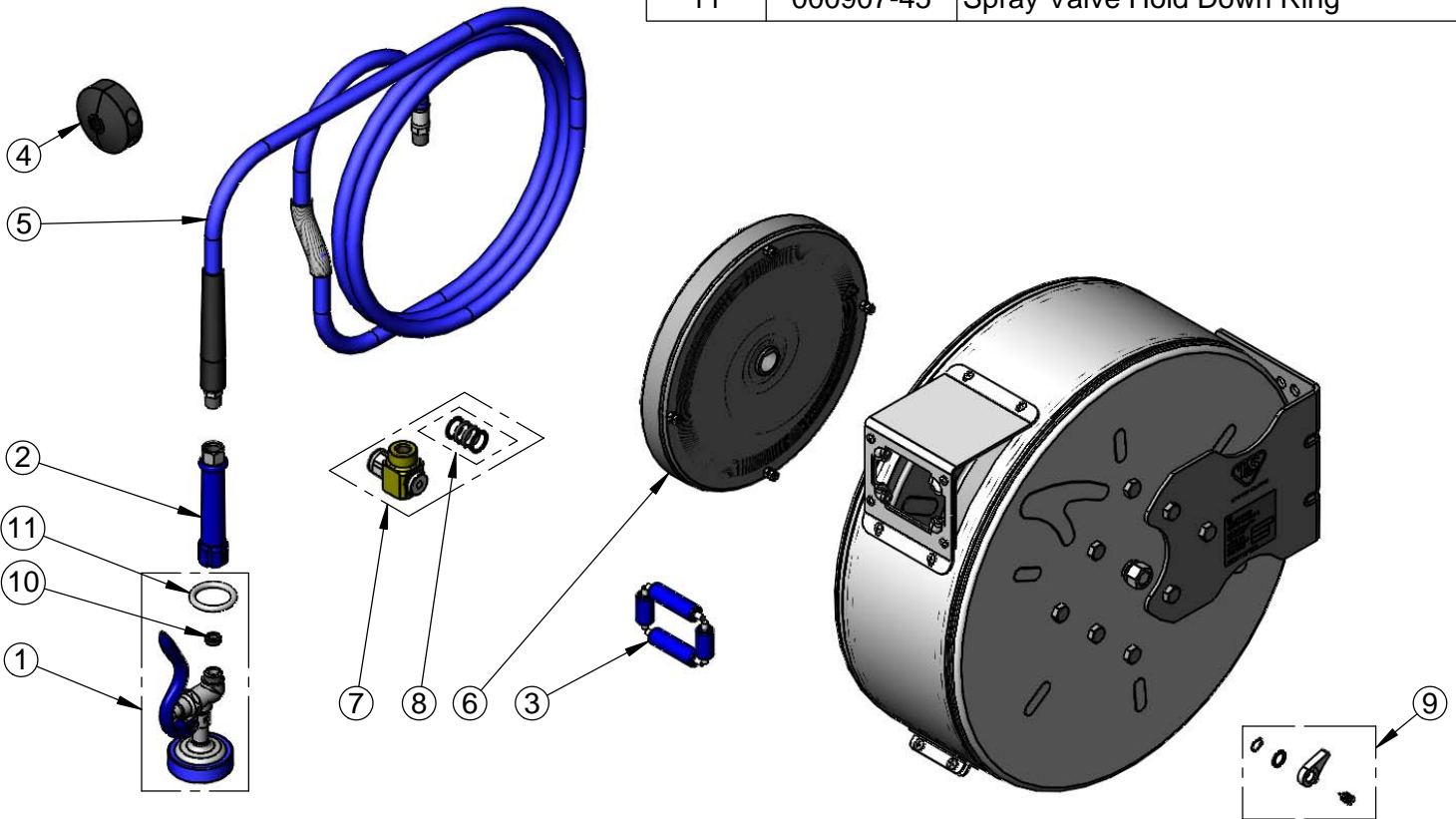
T&S BRASS AND BRONZE WORKS, INC.
 2 Saddleback Cove / P.O. Box 1088
 Travelers Rest, SC 29690

Model No.
B-7142-C01

Item No.

Travelers Rest, SC: 800-476-4103 • Simi Valley, CA: 800-423-0150 • Fax: 864-834-3518 • www.tsbrass.com

ITEM NO.	SALES NO.	DESCRIPTION
1	EB-0107	High Flow Spray Valve (Blue)
2	012504-40	Grip Handle (Blue) w/ Washer
3	014937-45	Roller Replacement Kit
4	014949-45	Hose Stop Repair Kit
5	014942-45	3/8" x 50' Hose Replacement Kit
6	014935-45	Large Stainless Steel Spring
7	019561-45	3/8" x 50' Swivel Repair Kit
8	019473-45	3/8" x 50' O-Ring Replacement Kit
9	014940-45	Ratchet Repair Kit
10	010476-45	#27 Washer
11	000907-45	Spray Valve Hold Down Ring



Product Specifications:
 3/8" x 50' Enclosed Stainless Steel Reel w/ High Flow Spray Valve

Product Compliance:
 NSF 61 Exempt (Non-Potable)
 EPA Act 2005 Non-Compliant (PRSV)