



**T&S BRASS AND BRONZE WORKS, INC.**  
 2 Saddleback Cove / P.O. Box 1088  
 Travelers Rest, SC 29690

Model No.  
**B-7142-01**

Item No.

Travelers Rest, SC: 800-476-4103 • Simi Valley, CA: 800-423-0150 • Fax: 864-834-3518 • www.tsbrass.com

This Space for Architect/Engineer Approval

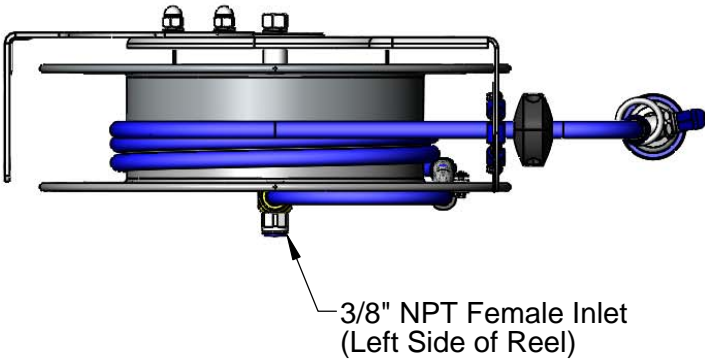
Job Name \_\_\_\_\_ Date \_\_\_\_\_

Model Specified \_\_\_\_\_ Quantity \_\_\_\_\_

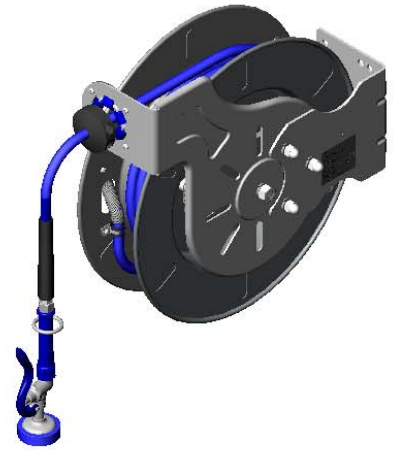
Customer/Wholesaler \_\_\_\_\_

Contractor \_\_\_\_\_

Architect/Engineer \_\_\_\_\_



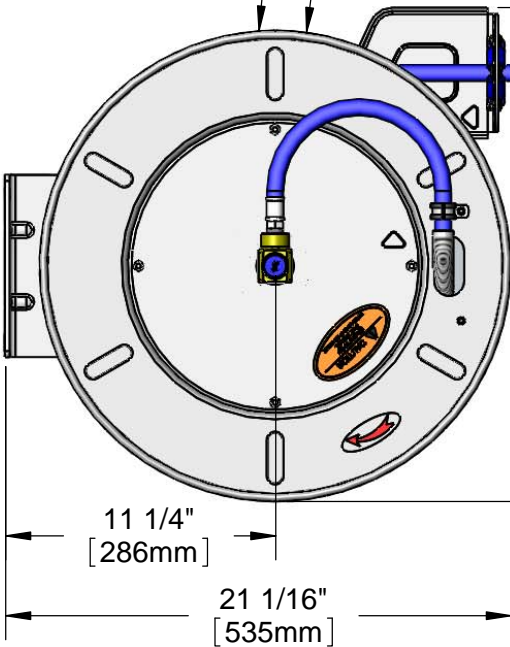
3/8" NPT Female Inlet  
 (Left Side of Reel)



Open Stainless Steel Hose Reel  
 50' of 3/8" Hose

Ø19 5/8"  
 [498mm]

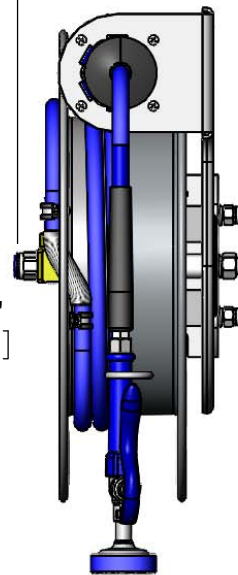
9 7/16"  
 [240mm]



11 1/4"  
 [286mm]

21 1/16"  
 [535mm]

20 9/16"  
 [523mm]



6 3/16"  
 [158mm]

Ø1/2"  
 [13mm]

7 9/16"  
 [193mm]

6"  
 [152mm]

13/16"  
 [21mm]

1/2"  
 [13mm]

3 1/8"  
 [79mm]

EB-0107  
 High Flow  
 Spray Valve

Product Specifications:  
 3/8" x 50' Open Stainless Steel Reel w/ High Flow Spray Valve

Product Compliance:  
 NSF 61 Exempt (Non-Potable)  
 EPA Act 2005 Non-Compliant (PRSV)



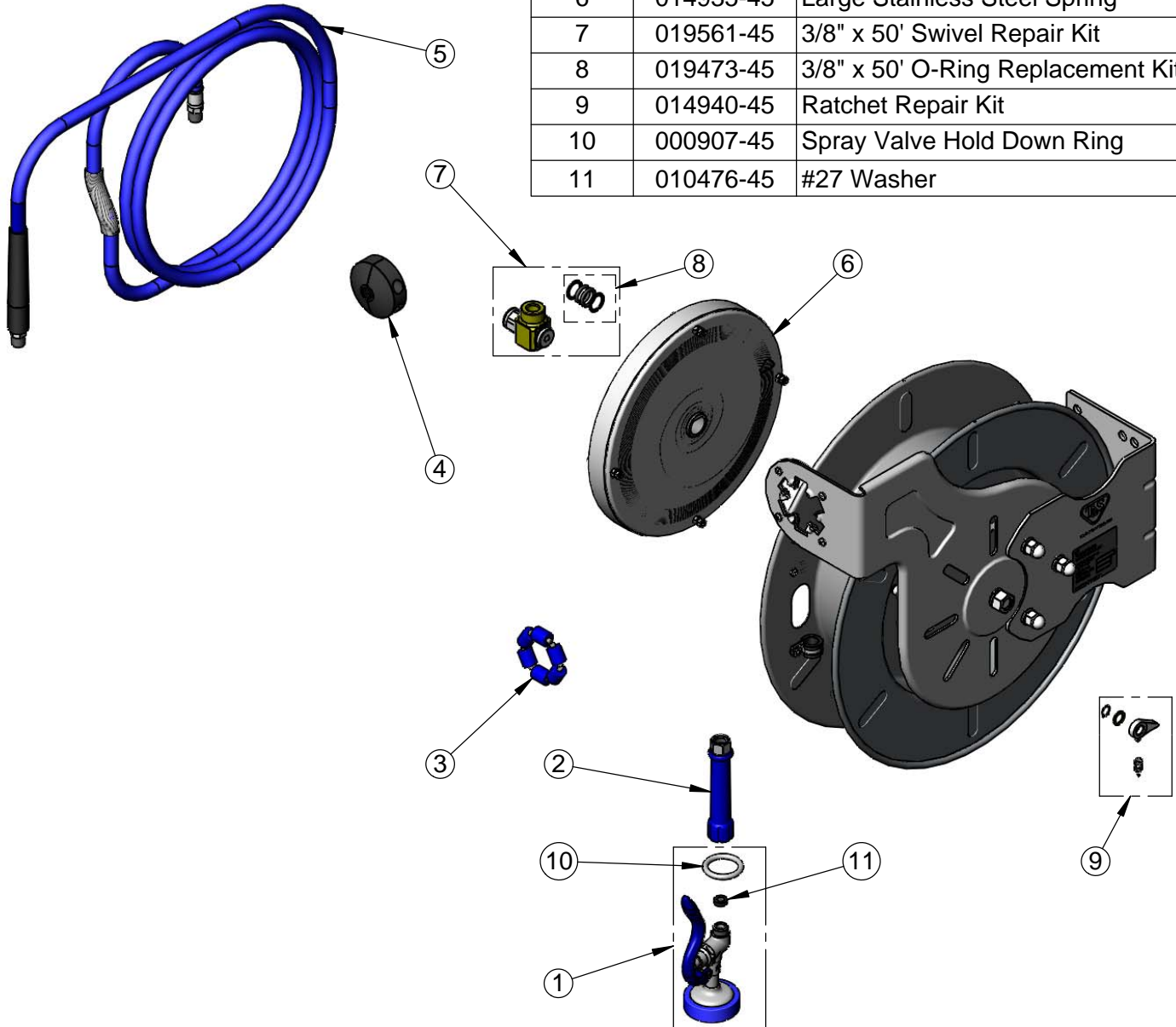
**T&S BRASS AND BRONZE WORKS, INC.**  
 2 Saddleback Cove / P.O. Box 1088  
 Travelers Rest, SC 29690

Model No.  
**B-7142-01**

Item No.

Travelers Rest, SC: 800-476-4103 • Simi Valley, CA: 800-423-0150 • Fax: 864-834-3518 • www.tsbrass.com

ITEM NO.	SALES NO.	DESCRIPTION
1	EB-0107	High Flow Spray Valve (Blue)
2	012504-40	Grip Handle (Blue) w/ Washer
3	014938-45	Roller Repair Kit
4	014949-45	Hose Stop Repair Kit
5	014942-45	3/8" x 50' Hose Replacement Kit
6	014935-45	Large Stainless Steel Spring
7	019561-45	3/8" x 50' Swivel Repair Kit
8	019473-45	3/8" x 50' O-Ring Replacement Kit
9	014940-45	Ratchet Repair Kit
10	000907-45	Spray Valve Hold Down Ring
11	010476-45	#27 Washer



Product Specifications:  
 3/8" x 50' Open Stainless Steel Reel w/ High Flow Spray Valve

Product Compliance:  
 NSF 61 Exempt (Non-Potable)  
 EPA 2005 Non-Compliant (PRSV)