



**T&S BRASS AND BRONZE WORKS, INC.**  
 2 Saddleback Cove / P.O. Box 1088  
 Travelers Rest, SC 29690

Model No.  
**B-7133-05**

Item No.

Travelers Rest, SC: 800-476-4103 • Simi Valley, CA: 800-423-0150 • Fax: 864-834-3518 • www.tsbrass.com

This Space for Architect/Engineer Approval

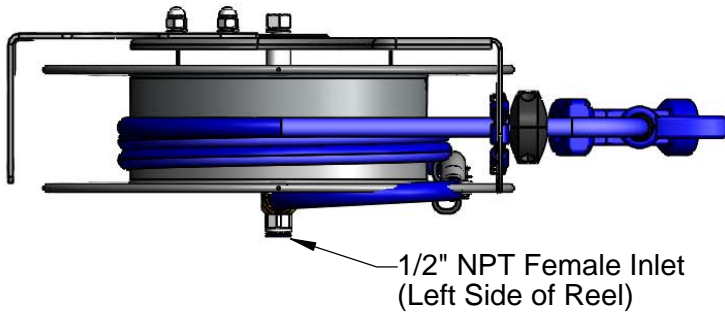
Job Name \_\_\_\_\_ Date \_\_\_\_\_

Model Specified \_\_\_\_\_ Quantity \_\_\_\_\_

Customer/Wholesaler \_\_\_\_\_

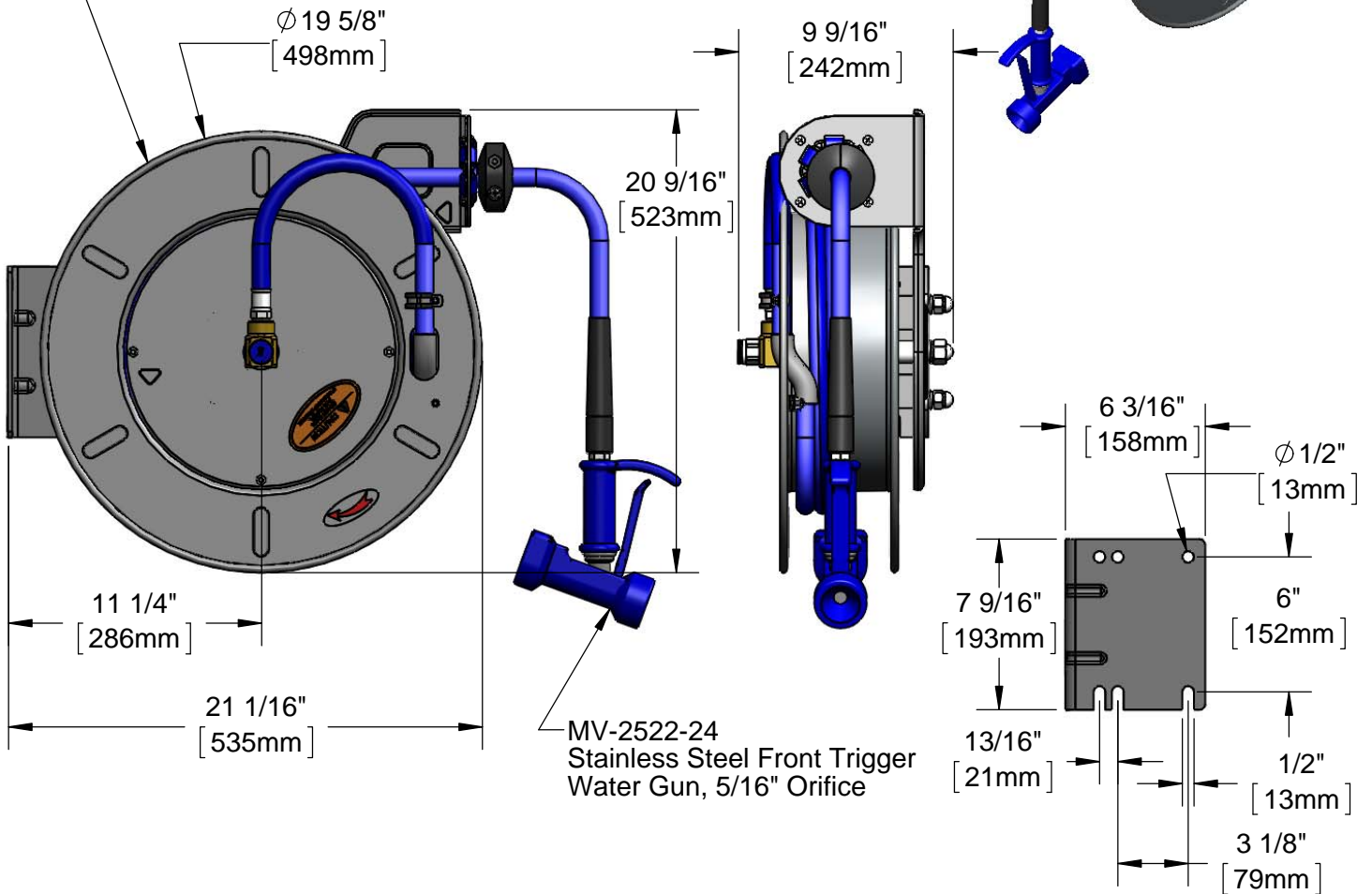
Contractor \_\_\_\_\_

Architect/Engineer \_\_\_\_\_



1/2" NPT Female Inlet  
 (Left Side of Reel)

Open Stainless Steel Hose Reel  
 35' of 1/2" Hose



Product Specifications:  
 1/2" x 35' Open Stainless Steel Reel w/ Stainless Steel Front Trigger  
 Water Gun with Rubber Cover, 5/16" Flow Orifice and 1/2" NPT Female Inlet

Product Compliance:  
 NSF 61 Exempt (Non-Potable)



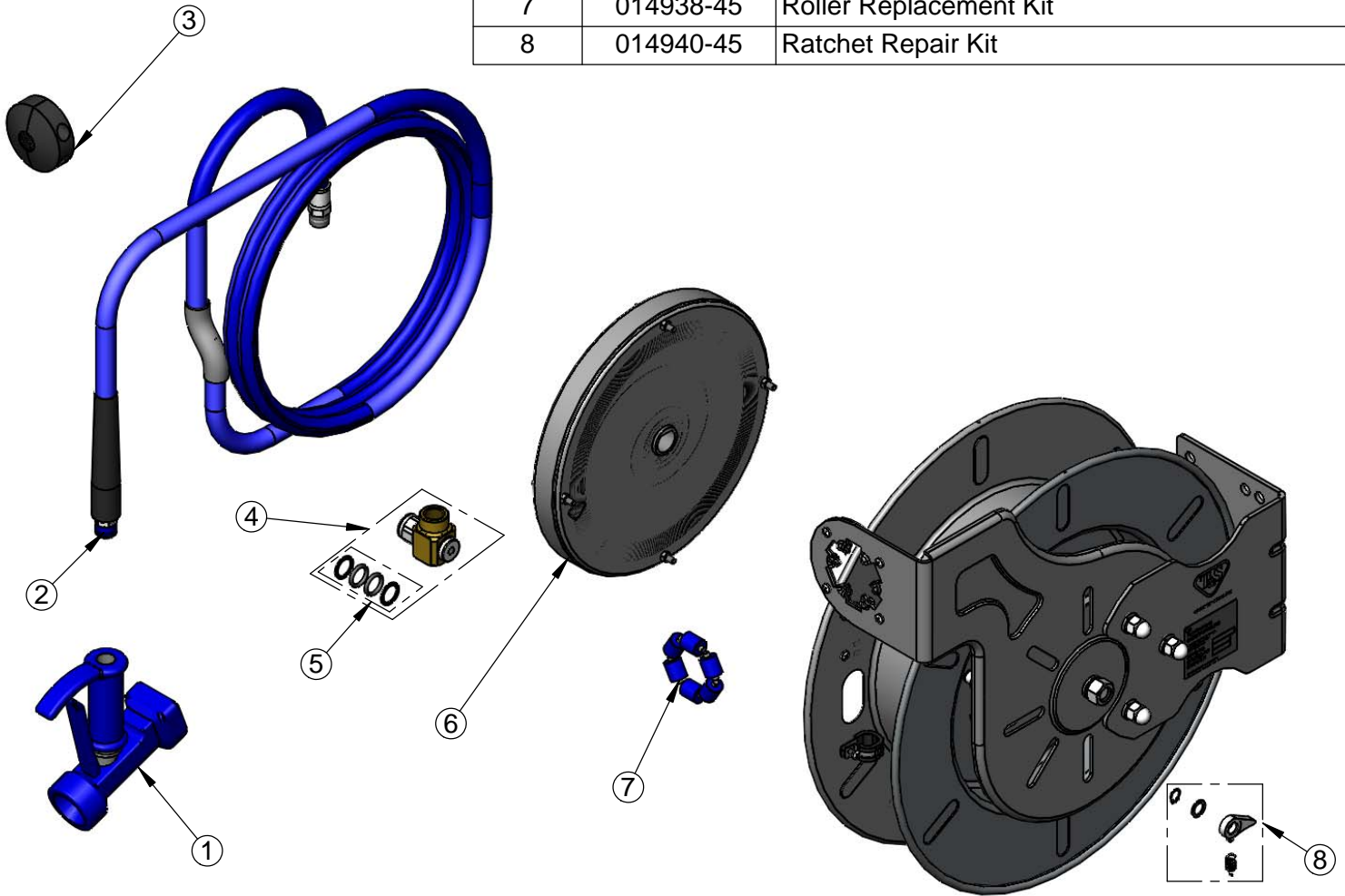
**T&S BRASS AND BRONZE WORKS, INC.**  
 2 Saddleback Cove / P.O. Box 1088  
 Travelers Rest, SC 29690

Model No.  
**B-7133-05**

Item No.

Travelers Rest, SC: 800-476-4103 • Simi Valley, CA: 800-423-0150 • Fax: 864-834-3518 • www.tsbrass.com

ITEM NO.	SALES NO.	DESCRIPTION
1	MV-2522-24	Stainless Steel Front Trigger Water Gun w/ Blue Rubber Cover, 5/16" Flow Orifice
2	015089-45	1/2" x 35' Hose Replacement Kit
3	019499-45	1/2" Hose Stop Repair Kit
4	014947-45	1/2" Swivel Repair Kit
5	019473-45	O-Ring Replacement Kit
6	014935-45	Large Stainless Steel Spring
7	014938-45	Roller Replacement Kit
8	014940-45	Ratchet Repair Kit



Product Specifications:  
 1/2" x 35' Open Stainless Steel Reel w/ Stainless Steel Front Trigger Water Gun with Rubber Cover, 5/16" Flow Orifice and 1/2" NPT Female Inlet

Product Compliance:  
 NSF 61 Exempt (Non-Potable)