



**T&S BRASS AND BRONZE WORKS, INC.**  
 2 Saddleback Cove / P.O. Box 1088  
 Travelers Rest, SC 29690

Model No.  
**B-7132-01M**

Item No.

Travelers Rest, SC: 800-476-4103 • Simi Valley, CA: 800-423-0150 • Fax: 864-834-3518 • www.tsbrass.com

This Space for Architect/Engineer Approval

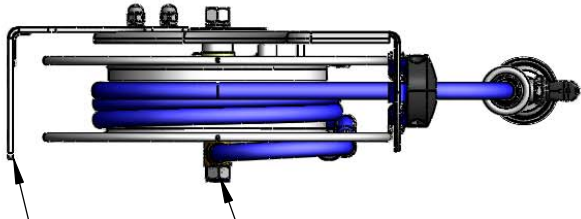
Job Name \_\_\_\_\_ Date \_\_\_\_\_

Model Specified \_\_\_\_\_ Quantity \_\_\_\_\_

Customer/Wholesaler \_\_\_\_\_

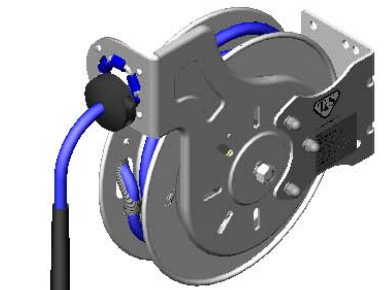
Contractor \_\_\_\_\_

Architect/Engineer \_\_\_\_\_

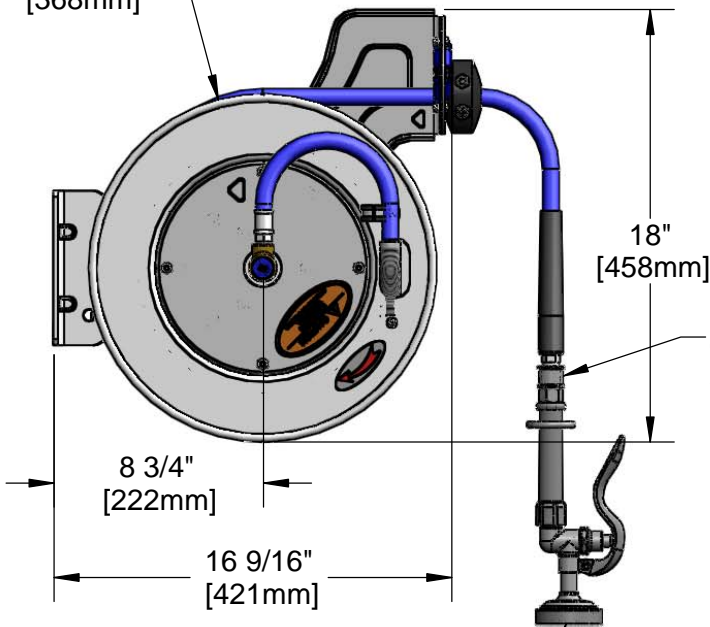


3/8" NPT Female Inlet  
 (Left Side of Reel)

Open Stainless Steel Hose Reel;  
 35 Ft. of 3/8" Hose



Ø 14 1/2"  
 [368mm]



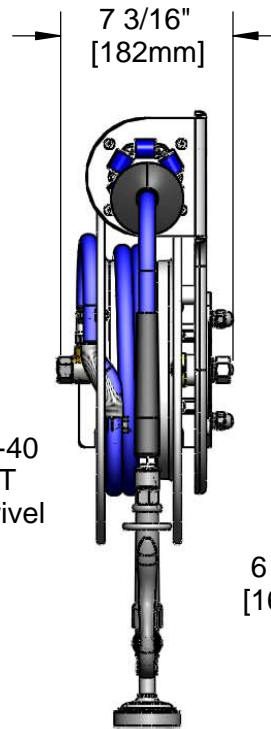
8 3/4"  
 [222mm]

16 9/16"  
 [421mm]

18"  
 [458mm]

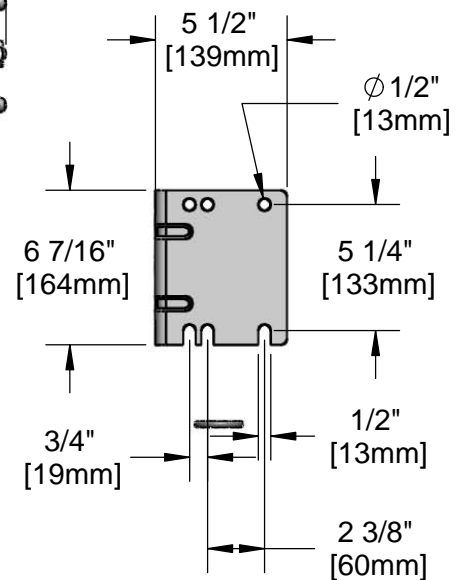
019652-40  
 3/8" NPT  
 Live Swivel

B-0107  
 1.42 GPM  
 Spray Valve



7 3/16"  
 [182mm]

Mounting Hole Details



5 1/2"  
 [139mm]

Ø 1/2"  
 [13mm]

6 7/16"  
 [164mm]

5 1/4"  
 [133mm]

3/4"  
 [19mm]

1/2"  
 [13mm]

2 3/8"  
 [60mm]

Product Specifications:  
 3/8" x 35 Ft. Open Stainless Steel Reel with 1.42 GPM Spray Valve & Swivel

Product Compliance:  
 NSF 61 Exempt (Non-Potable)  
 EPA Act 2005 (PRSV)



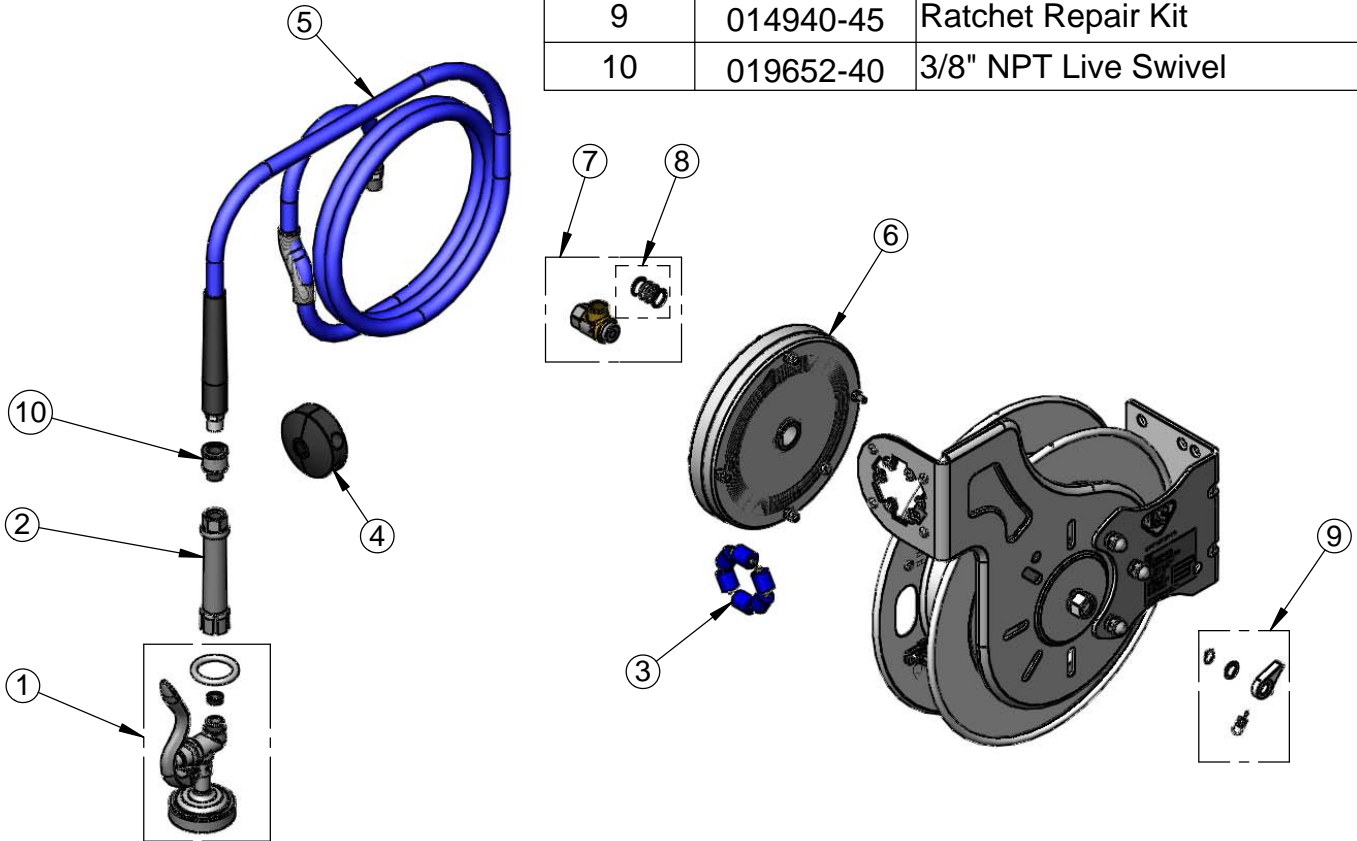
**T&S BRASS AND BRONZE WORKS, INC.**  
 2 Saddleback Cove / P.O. Box 1088  
 Travelers Rest, SC 29690

Model No.  
**B-7132-01M**

Item No.

Travelers Rest, SC: 800-476-4103 • Simi Valley, CA: 800-423-0150 • Fax: 864-834-3518 • www.tsbrass.com

| ITEM NO. | SALES NO. | DESCRIPTION                     |
|----------|-----------|---------------------------------|
| 1        | B-0107    | 1.42 GPM Gray Spray Valve       |
| 2        | 002881-40 | Gray Handle Grip                |
| 3        | 014938-45 | Roller Assembly Repair Kit      |
| 4        | 014949-45 | Hose Stop Repair Kit            |
| 5        | 014941-45 | 3/8" x 35' Hose Replacement Kit |
| 6        | 014933-45 | Small SS Spring Assembly Kit    |
| 7        | 014946-45 | 3/8" Swivel Repair Kit          |
| 8        | 014948-45 | O-Ring Replacement Kit          |
| 9        | 014940-45 | Ratchet Repair Kit              |
| 10       | 019652-40 | 3/8" NPT Live Swivel            |



Product Specifications:  
 3/8" x 35 Ft. Open Stainless Steel Reel with 1.42 GPM Spray Valve & Swivel

Product Compliance:  
 NSF 61 Exempt (Non-Potable)  
 EPA Act 2005 (PRSV)