



T&S BRASS AND BRONZE WORKS, INC.
 2 Saddleback Cove / P.O. Box 1088
 Travelers Rest, SC 29690

Model No.
B-7132-01-ESB

Item No.

Travelers Rest, SC: 800-476-4103 • Simi Valley, CA: 800-423-0150 • Fax: 864-834-3518 • www.tsbrass.com

This Space for Architect/Engineer Approval

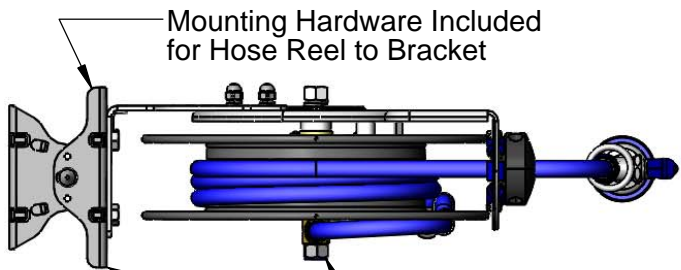
Job Name _____ Date _____

Model Specified _____ Quantity _____

Customer/Wholesaler _____

Contractor _____

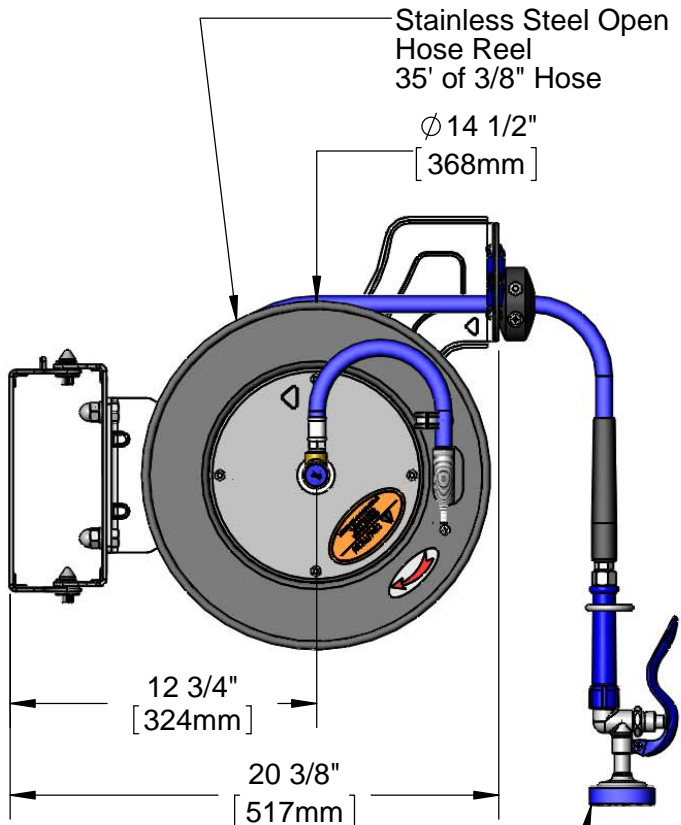
Architect/Engineer _____



Mounting Hardware Included for Hose Reel to Bracket

3/8" NPT Female Inlet (Left Side of Reel)

Universal EasyInstall Stainless Steel Wall Mount Swing Bracket w/ 100° of Rotation



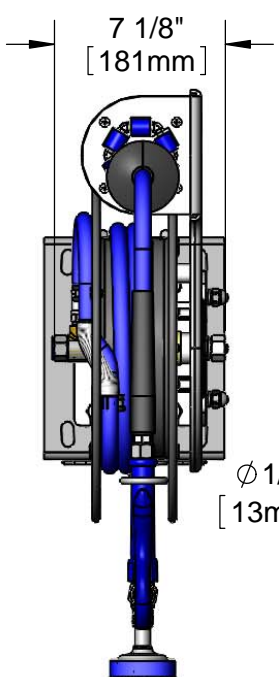
Stainless Steel Open Hose Reel
 35' of 3/8" Hose

Ø 14 1/2" [368mm]

12 3/4" [324mm]

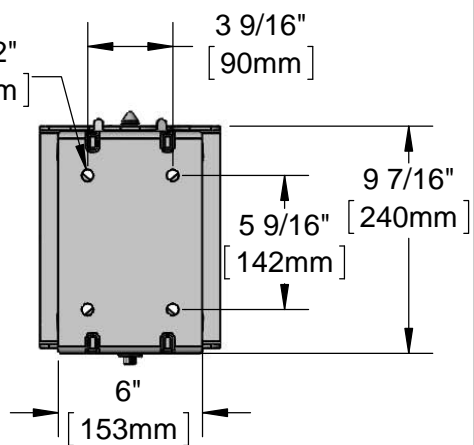
20 3/8" [517mm]

EB-0107 High Flow Spray Valve



7 1/8" [181mm]

Ø 1/2" [13mm]



3 9/16" [90mm]

9 7/16" [240mm]

5 9/16" [142mm]

6" [153mm]

Product Specifications:
 3/8" x 35' Stainless Steel Open Reel, High Flow Spray Valve &
 100 Degree EasyInstall Stainless Steel Swing Bracket w/
 Reel-to-Bracket Mounting Hardware

Product Compliance:
 NSF 61 Exempt (Non-Potable)
 EPA Act 2005 Non-Compliant (PRSV)



T&S BRASS AND BRONZE WORKS, INC.

2 Saddleback Cove / P.O. Box 1088
Travelers Rest, SC 29690

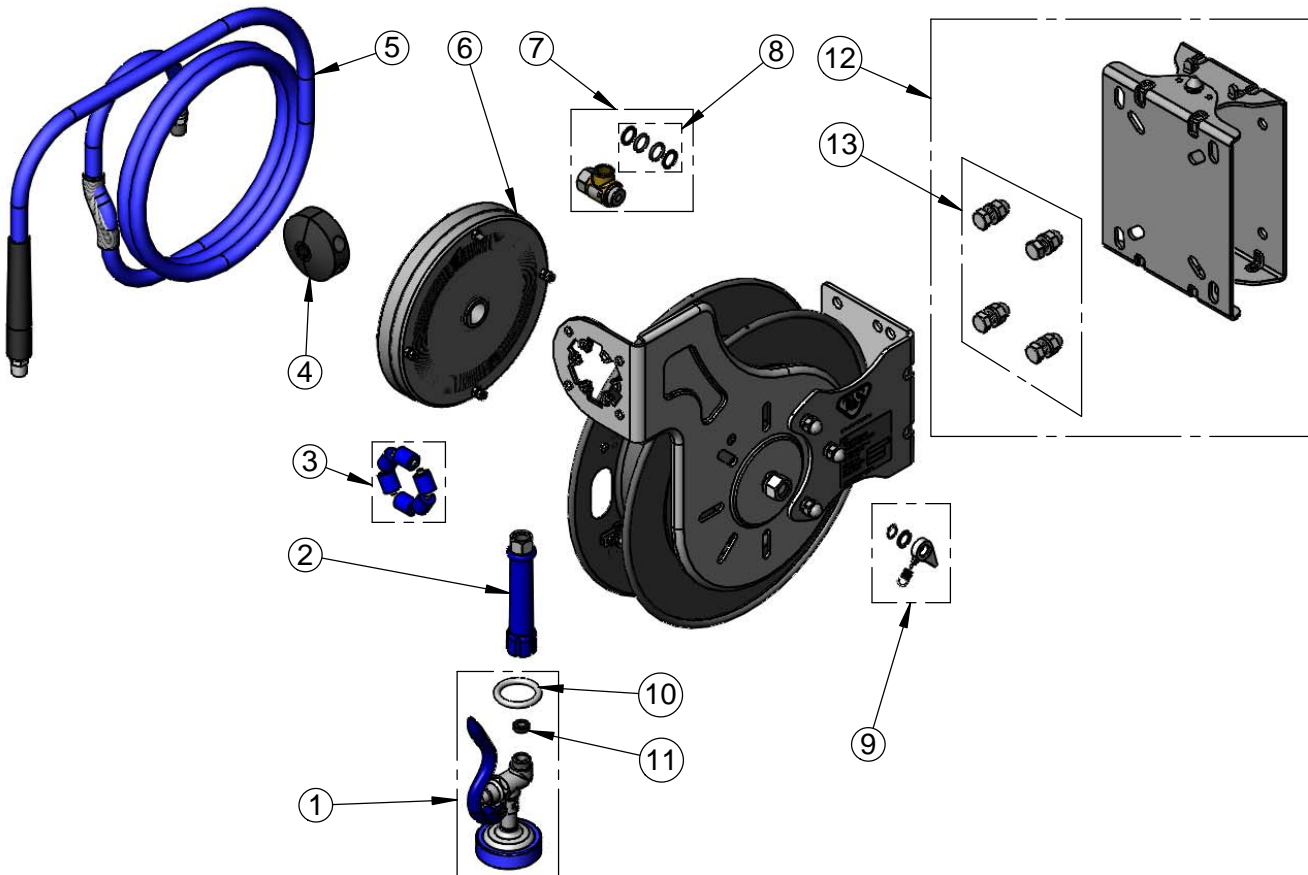
Model No.

B-7132-01-ESB

Item No.

Travelers Rest, SC: 800-476-4103 • Simi Valley, CA: 800-423-0150 • Fax: 864-834-3518 • www.tsbrass.com

ITEM NO.	SALES NO.	DESCRIPTION
1	EB-0107	High Flow Spray Valve (Blue)
2	012504-40	Grip Handle (Blue) w/ Washer
3	014938-45	Roller Repair Kit
4	014949-45	Hose Stop Repair Kit
5	014941-45	3/8" x 35' Hose Replacement Kit
6	014933-45	Small Stainless Steel Spring
7	014946-45	3/8" Swivel Repair Kit
8	014948-45	O-Ring Replacement Kit
9	014940-45	Ratchet Repair Kit
10	000907-45	Spray Valve Hold Down Ring
11	010476-45	#27 Washer
12	G019430-45	Universal EasyInstall Stainless Steel Swing Bracket
13	019191-45K	Hose Reel Bracket Mounting Kit



Product Specifications:

3/8" x 35' Stainless Steel Open Reel, High Flow Spray Valve & 100 Degree EasyInstall Stainless Steel Swing Bracket w/ Reel-to-Bracket Mounting Hardware

Product Compliance:

NSF 61 Exempt (Non-Potable)
EPA Act 2005 Non-Compliant (PRSV)