



T&S BRASS AND BRONZE WORKS, INC.
 2 Saddleback Cove / P.O. Box 1088
 Travelers Rest, SC 29690

Model No.
B-7122-C08M

Item No.

Travelers Rest, SC: 800-476-4103 • Simi Valley, CA: 800-423-0150 • Fax: 864-834-3518 • www.tsbrass.com

This Space for Architect/Engineer Approval

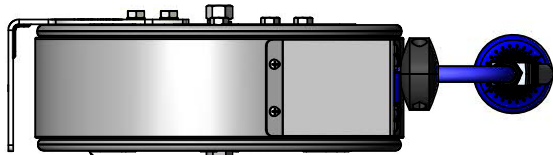
Job Name _____ Date _____

Model Specified _____ Quantity _____

Customer/Wholesaler _____

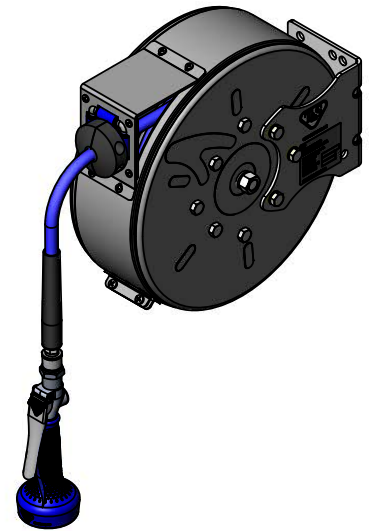
Contractor _____

Architect/Engineer _____



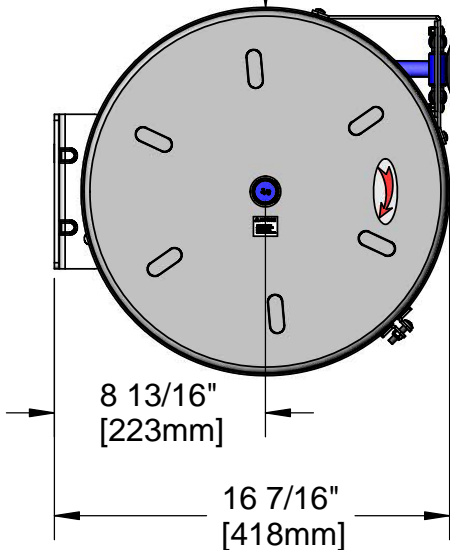
3/8" NPT Female Inlet
 (Left Side of Reel)

Enclosed Stainless Steel Hose Reel;
 30 Ft. of 3/8" Hose



Ø 15 3/8"
 [390mm]

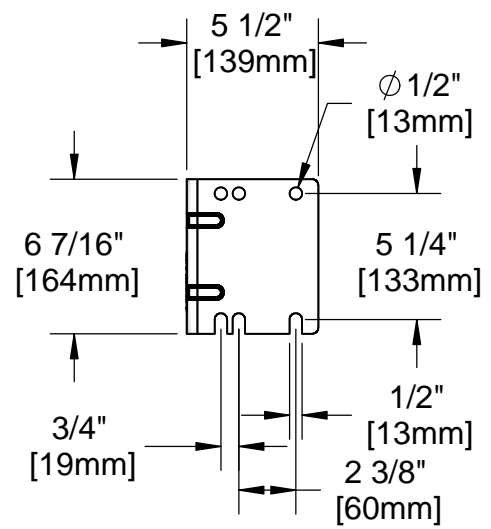
6 7/16"
 [164mm]



019652-40
 3/8" NPT
 Live Swivel

B-0108
 w/ 1.48 GPM Flow

Mounting Hole Details



Product Specifications:
 3/8" x 30 Ft. Enclosed Stainless Steel Reel, B-0108 w/ 1.48 GPM Flow & Swivel

Product Compliance:
 NSF 61 Exempt (Non-Potable) HD
 EPA Act 2005 Non-Compliant (P-RSV)

10/09/17



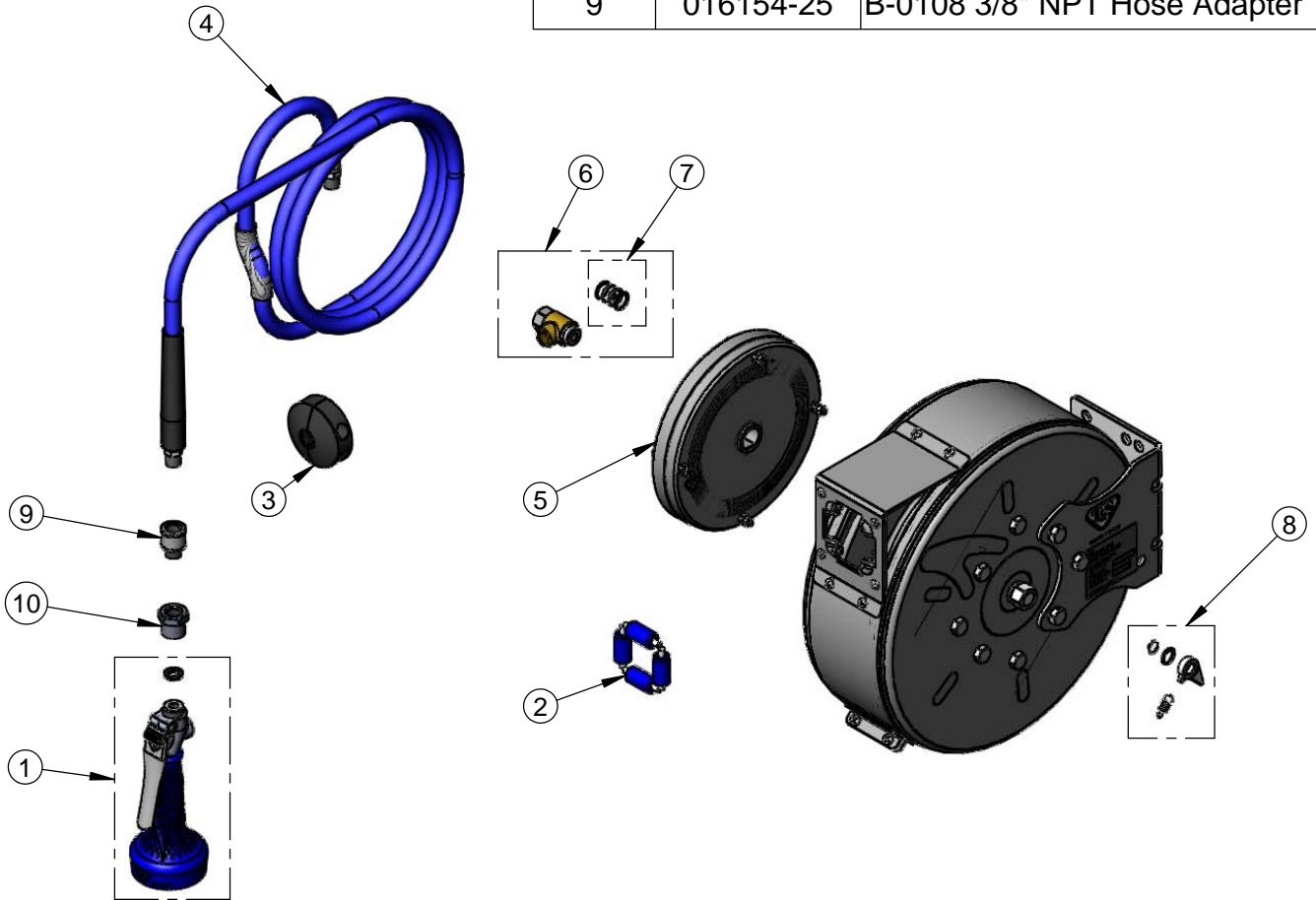
T&S BRASS AND BRONZE WORKS, INC.
 2 Saddleback Cove / P.O. Box 1088
 Travelers Rest, SC 29690

Model No.
B-7122-C08M

Item No.

Travelers Rest, SC: 800-476-4103 • Simi Valley, CA: 800-423-0150 • Fax: 864-834-3518 • www.tsbrass.com

ITEM NO.	SALES NO.	DESCRIPTION
1	B-0108	1.48 GPM B-0108 Spray Valve
2	014936-45	Roller Assembly Repair Kit
3	014949-45	Hose Stop Repair Kit
4	014943-45	3/8" X 30' Hose Replacement Kit
5	014933-45	Small SS Spring Assembly Kit
6	014946-45	3/8" Swivel Repair Kit
7	014948-45	O-Ring Replacement Kit
8	014940-45	Ratchet Repair Kit
9	016154-25	B-0108 3/8" NPT Hose Adapter



Product Specifications:
 3/8" x 30 Ft. Enclosed Stainless Steel Reel, B-0108 w/ 1.48 GPM Flow & Swivel

Product Compliance:
 NSF 61 Exempt (Non-Potable)
 EPA Act 2005 Non-Compliant (PRSV)