



T&S BRASS AND BRONZE WORKS, INC.
 2 Saddleback Cove / P.O. Box 1088
 Travelers Rest, SC 29690

Model No.
B-7122-C01-ESB

Item No.

Travelers Rest, SC: 800-476-4103 • Simi Valley, CA: 800-423-0150 • Fax: 864-834-3518 • www.tsbrass.com

This Space for Architect/Engineer Approval

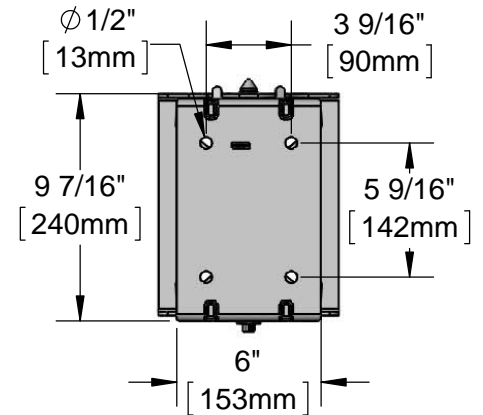
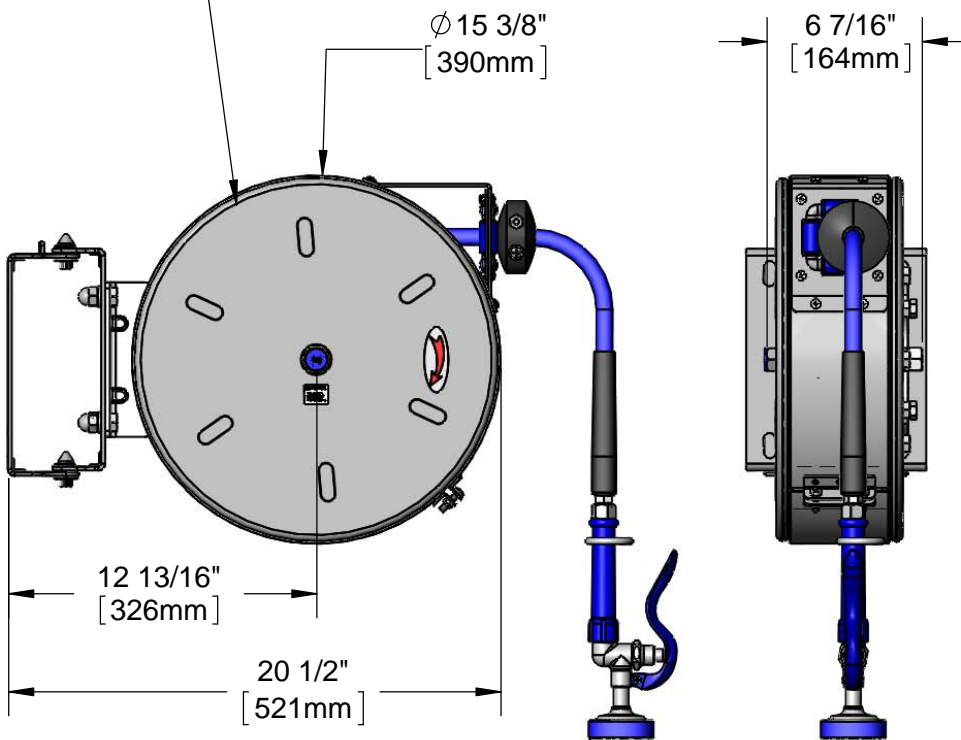
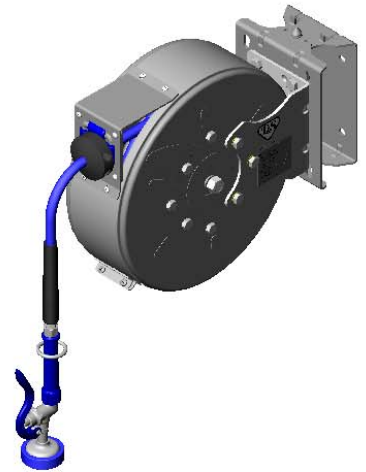
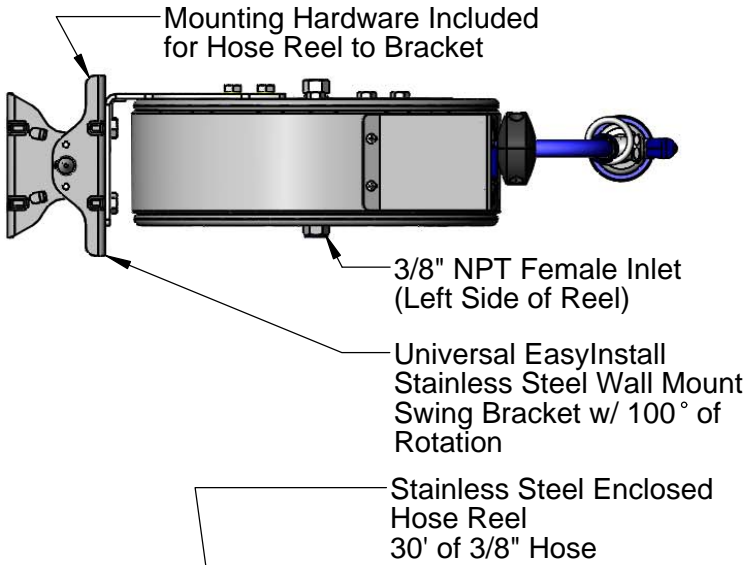
Job Name _____ Date _____

Model Specified _____ Quantity _____

Customer/Wholesaler _____

Contractor _____

Architect/Engineer _____



EB-0107
 High Flow
 Spray Valve

Product Specifications:
 3/8" x 30' Stainless Steel Enclosed Reel, High Flow Spray Valve &
 100 Degree EasyInstall Stainless Steel Swing Bracket w/
 Reel-to-Bracket Mounting Hardware

Product Compliance:
 NSF 61 Exempt (Non-Potable)
 EPA Act 2005 Non-Compliant (PRSV)



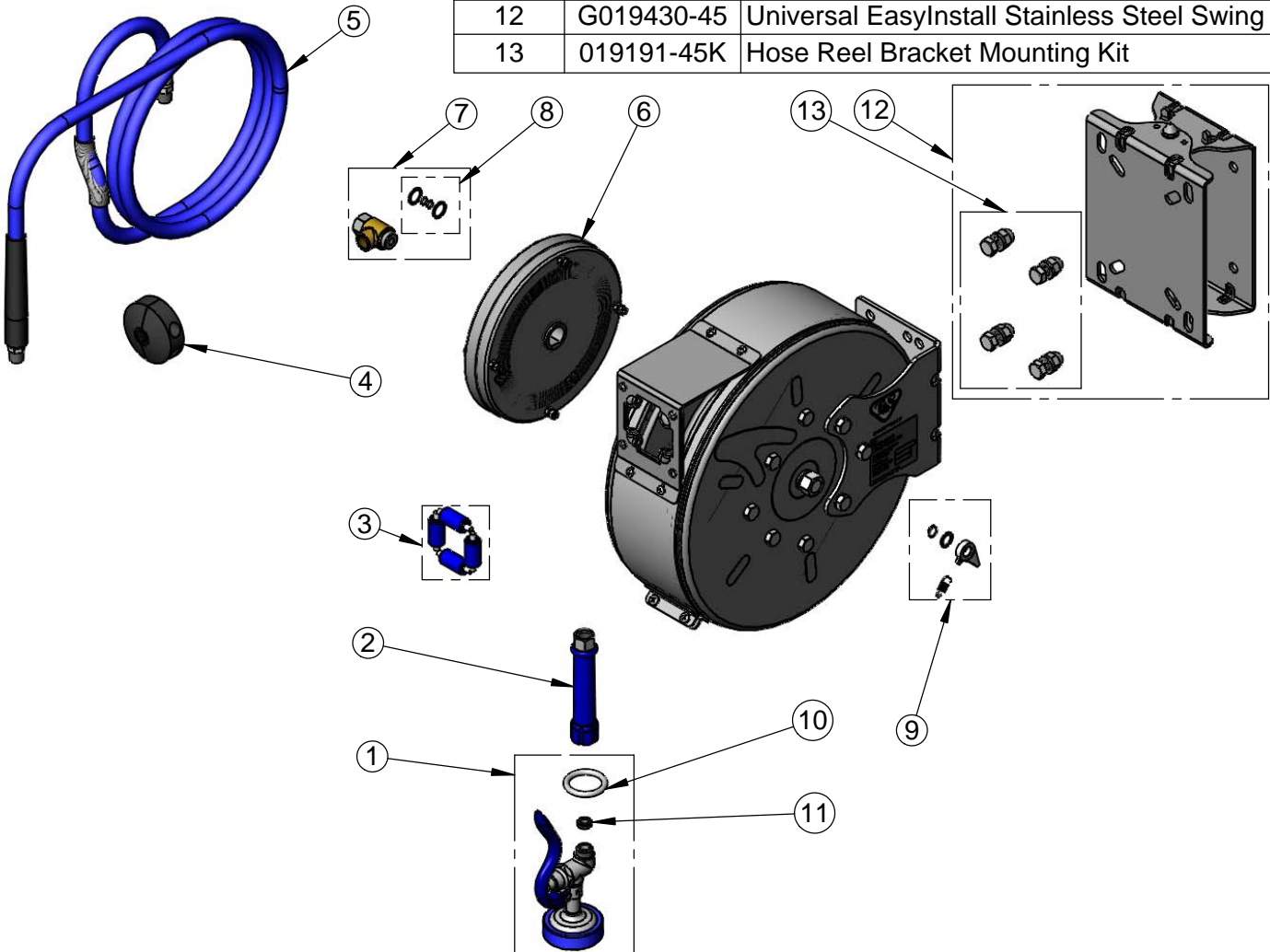
T&S BRASS AND BRONZE WORKS, INC.
 2 Saddleback Cove / P.O. Box 1088
 Travelers Rest, SC 29690

Model No.
B-7122-C01-ESB

Item No.

Travelers Rest, SC: 800-476-4103 • Simi Valley, CA: 800-423-0150 • Fax: 864-834-3518 • www.tsbrass.com

| ITEM NO. | SALES NO. | DESCRIPTION |
|----------|------------|---|
| 1 | EB-0107 | High Flow Spray Valve (Blue) |
| 2 | 012504-40 | Grip Handle (Blue) w/ Washer |
| 3 | 014936-45 | Roller Repair Kit |
| 4 | 014949-45 | Hose Stop Repair Kit |
| 5 | 014943-45 | 3/8" x 30' Hose Replacement Kit |
| 6 | 014933-45 | Small Stainless Steel Spring |
| 7 | 014946-45 | 3/8" Swivel Repair Kit |
| 8 | 014948-45 | O-Ring Replacement Kit |
| 9 | 014940-45 | Ratchet Repair Kit |
| 10 | 000907-45 | Spray Valve Hold Down Ring |
| 11 | 010476-45 | #27 Washer |
| 12 | G019430-45 | Universal EasyInstall Stainless Steel Swing Bracket |
| 13 | 019191-45K | Hose Reel Bracket Mounting Kit |



Product Specifications:
 3/8" x 30' Stainless Steel Enclosed Reel, High Flow Spray Valve &
 100 Degree EasyInstall Stainless Steel Swing Bracket w/
 Reel-to-Bracket Mounting Hardware

Product Compliance:
 NSF 61 Exempt (Non-Potable)
 EPA Act 2005 Non-Compliant (PRSV)