



**T&S BRASS AND BRONZE WORKS, INC.**  
 2 Saddleback Cove / P.O. Box 1088  
 Travelers Rest, SC 29690

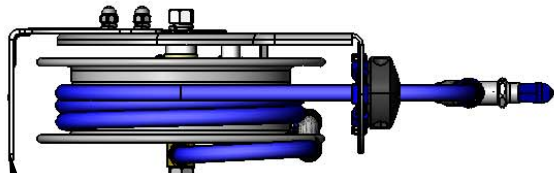
Model No.  
**B-7112-10**

Item No.

Travelers Rest, SC: 800-476-4103 • Simi Valley, CA: 800-423-0150 • Fax: 864-834-3518 • www.tsbrass.com

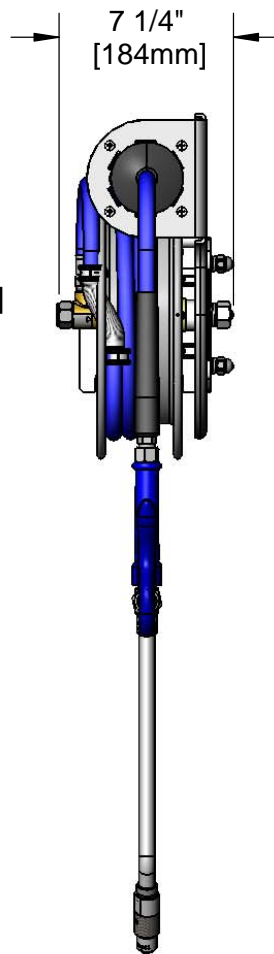
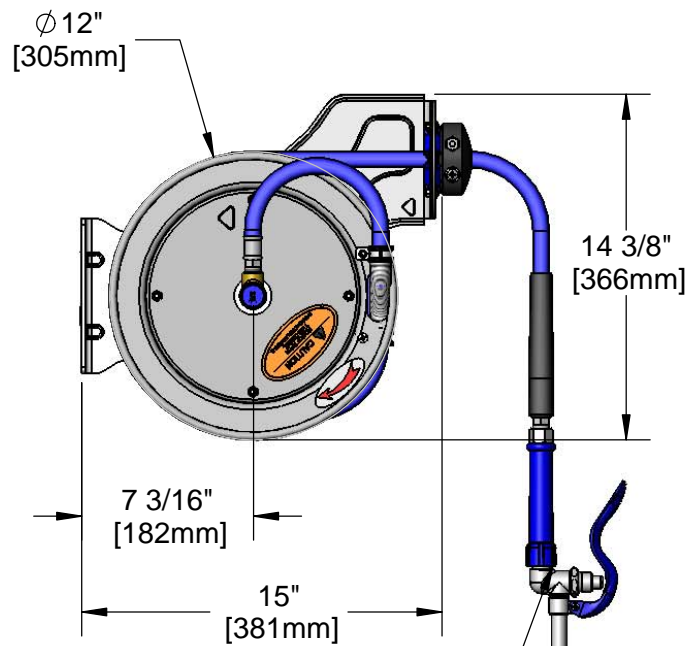
This Space for Architect/Engineer Approval

Job Name \_\_\_\_\_ Date \_\_\_\_\_  
 Model Specified \_\_\_\_\_ Quantity \_\_\_\_\_  
 Customer/Wholesaler \_\_\_\_\_  
 Contractor \_\_\_\_\_  
 Architect/Engineer \_\_\_\_\_

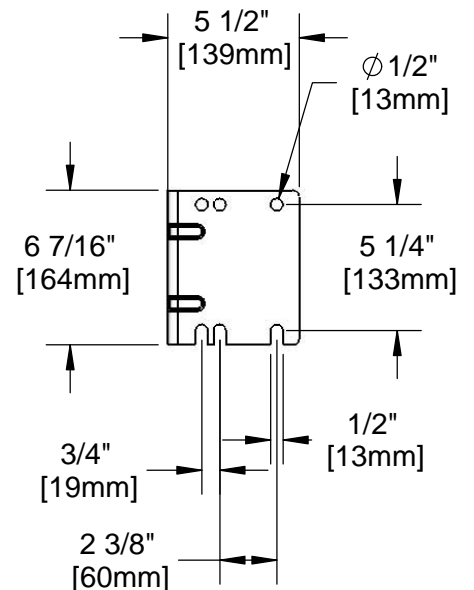


3/8" NPT Female Inlet  
 (Left Side of Reel)

Open Stainless Steel Hose Reel;  
 15 Ft. of 3/8" Hose



EB-2322  
 Extended Spray Wand  
 w/ Blue Spray Valve &  
 Adjustable Spray Pattern Outlet



Product Specifications:  
 Hose Reel System:  
 3/8" x 15 Ft. Open Stainless Steel Reel w/ Extended Spray Wand &  
 Blue Spray Valve

Product Compliance:  
 NSF 61 Exempt (Non-Potable)  
 EPA Act 2005 Non-Compliant (PRSV)



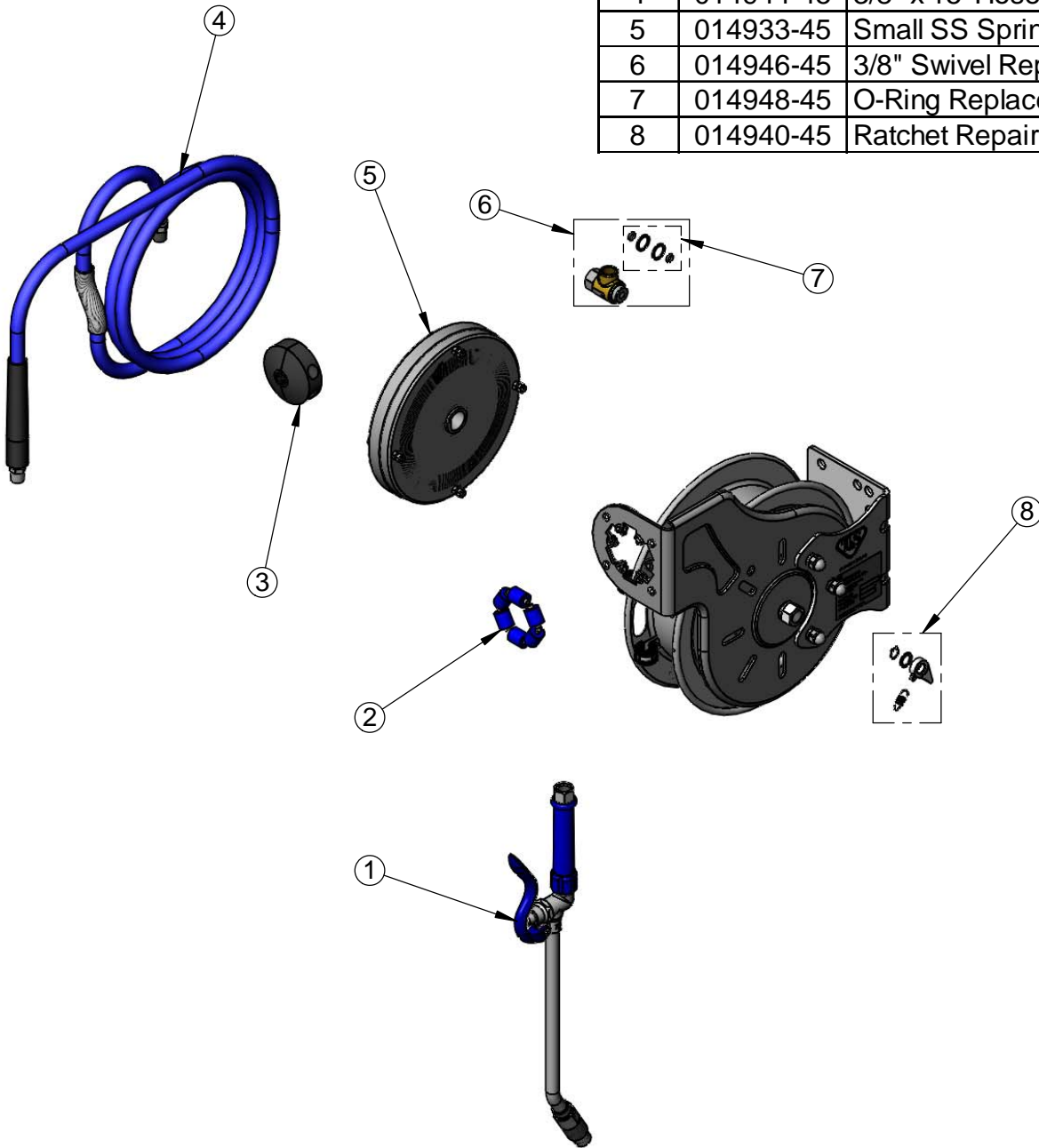
**T&S BRASS AND BRONZE WORKS, INC.**  
 2 Saddleback Cove / P.O. Box 1088  
 Travelers Rest, SC 29690

Model No.  
**B-7112-10**

Item No.

Travelers Rest, SC: 800-476-4103 • Simi Valley, CA: 800-423-0150 • Fax: 864-834-3518 • www.tsbrass.com

ITEM NO.	SALES NO.	DESCRIPTION
1	EB-2322	Extended Wand Spray Valve
2	014938-45	Roller Assembly Repair Kit
3	014949-45	Hose Stop Repair Kit
4	014944-45	3/8" x 15' Hose Replacement Kit
5	014933-45	Small SS Spring Assembly
6	014946-45	3/8" Swivel Repair Kit
7	014948-45	O-Ring Replacement Kit
8	014940-45	Ratchet Repair Kit



Product Specifications:  
 Hose Reel System:  
 3/8" x 15 Ft. Open Stainless Steel Reel w/ Extended Spray Wand & Blue Spray Valve

Product Compliance:  
 NSF 61 Exempt (Non-Potable)  
 EPA 2005 Non-Compliant (PRSV)