



T&S BRASS AND BRONZE WORKS, INC.
 2 Saddleback Cove / P.O. Box 1088
 Travelers Rest, SC 29690

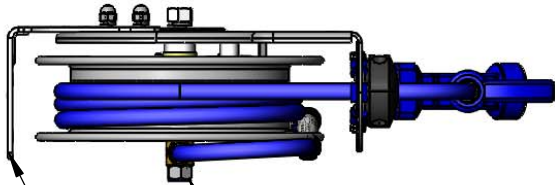
Model No.
B-7112-05

Item No.

Travelers Rest, SC: 800-476-4103 • Simi Valley, CA: 800-423-0150 • Fax: 864-834-3518 • www.tsbrass.com

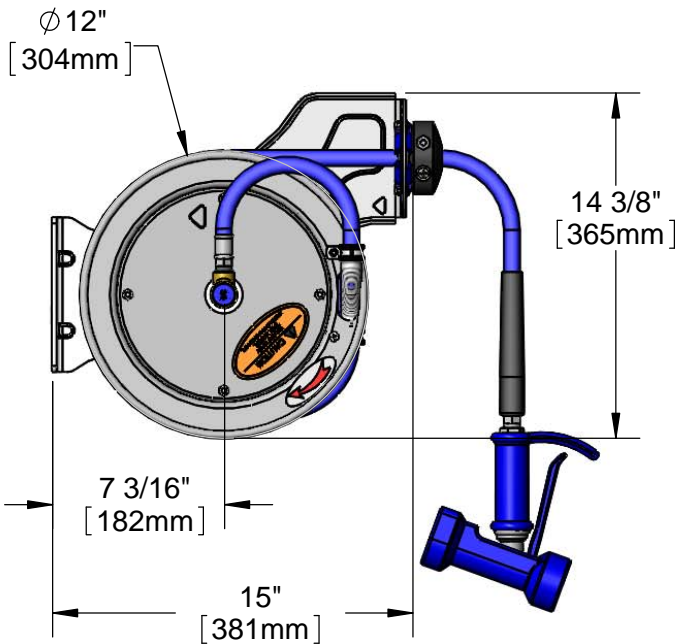
This Space for Architect/Engineer Approval

Job Name _____ Date _____
 Model Specified _____ Quantity _____
 Customer/Wholesaler _____
 Contractor _____
 Architect/Engineer _____

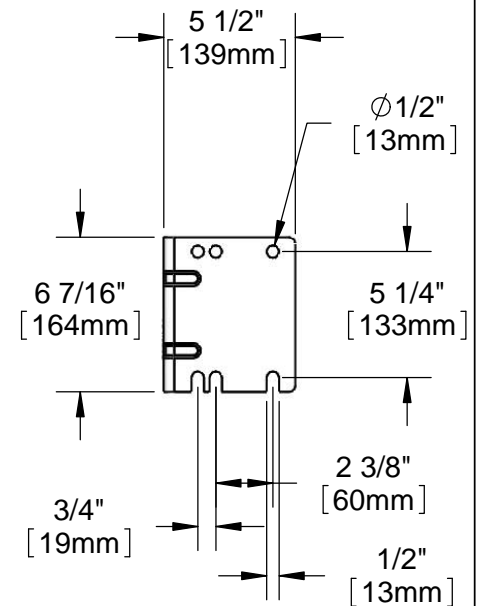
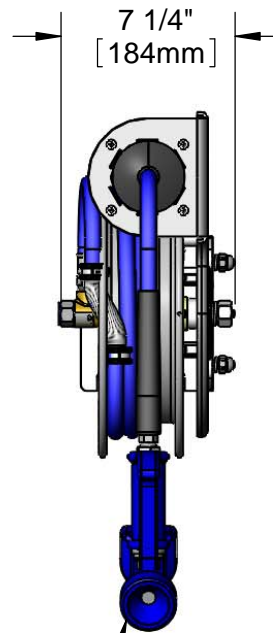


3/8" NPT Female Inlet
 (Left Side of Reel)

Open Stainless Steel Hose Reel
 15' [4.57m] of 3/8" Hose



MV-2522-24
 Stainless Steel Front Trigger
 Water Gun, 5/16" Orifice



Product Specifications:

3/8" x 15' Open Stainless Steel Reel w/ Stainless Steel Front Trigger Water Gun, 5/16" Orifice

Product Compliance:

NSF 61 Exempt (Non-Potable)
 EPA Act 2005 Non-Compliant (PRSV)



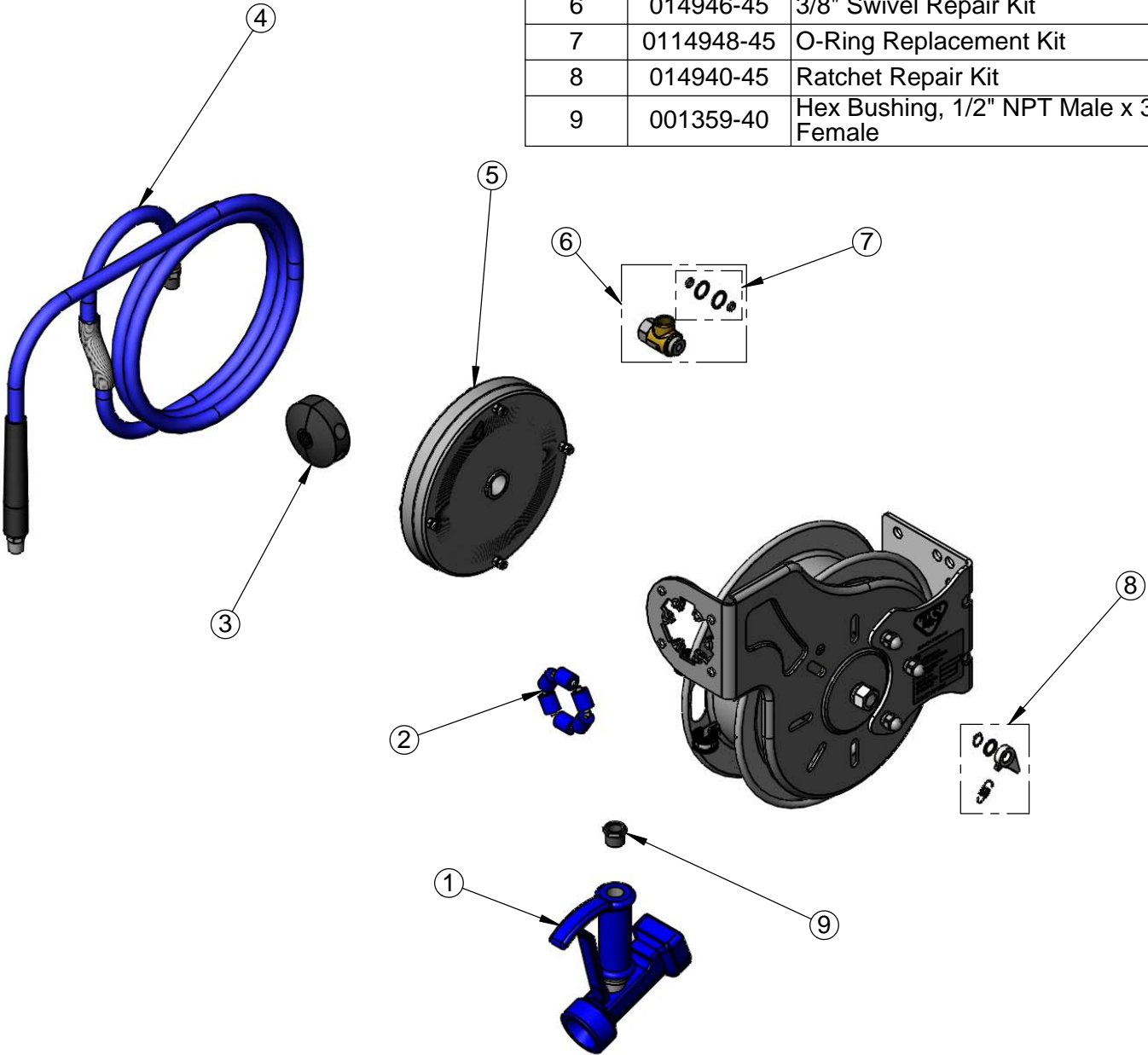
T&S BRASS AND BRONZE WORKS, INC.
 2 Saddleback Cove / P.O. Box 1088
 Travelers Rest, SC 29690

Model No.
B-7112-05

Item No.

Travelers Rest, SC: 800-476-4103 • Simi Valley, CA: 800-423-0150 • Fax: 864-834-3518 • www.tsbrass.com

| ITEM NO. | SALES NO. | DESCRIPTION |
|----------|------------|--|
| 1 | MV-2522-24 | Front Trigger Gun, 5/16" Orifice |
| 2 | 014938-45 | Roller Assembly Repair Kit |
| 3 | 014949-45 | Hose Stop Repair Kit |
| 4 | 014944-45 | 3/8" x 15' Hose Replacement Kit |
| 5 | 014933-45 | Small SS Spring Assembly |
| 6 | 014946-45 | 3/8" Swivel Repair Kit |
| 7 | 0114948-45 | O-Ring Replacement Kit |
| 8 | 014940-45 | Ratchet Repair Kit |
| 9 | 001359-40 | Hex Bushing, 1/2" NPT Male x 3/8" NPT Female |



Product Specifications:

3/8" x 15' Open Stainless Steel Reel w/ Stainless Steel Front Trigger Water Gun, 5/16" Orifice

Product Compliance:

NSF 61 Exempt (Non-Potable)
 EPA Act 2005 Non-Compliant (PRSV)