



**T&S BRASS AND BRONZE WORKS, INC.**  
 2 Saddleback Cove / P.O. Box 1088  
 Travelers Rest, SC 29690

Model No.  
**B-7112-01M**

Item No.

Travelers Rest, SC: 800-476-4103 • Simi Valley, CA: 800-423-0150 • Fax: 864-834-3518 • www.tsbrass.com

This Space for Architect/Engineer Approval

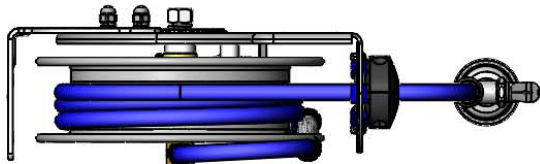
Job Name \_\_\_\_\_ Date \_\_\_\_\_

Model Specified \_\_\_\_\_ Quantity \_\_\_\_\_

Customer/Wholesaler \_\_\_\_\_

Contractor \_\_\_\_\_

Architect/Engineer \_\_\_\_\_



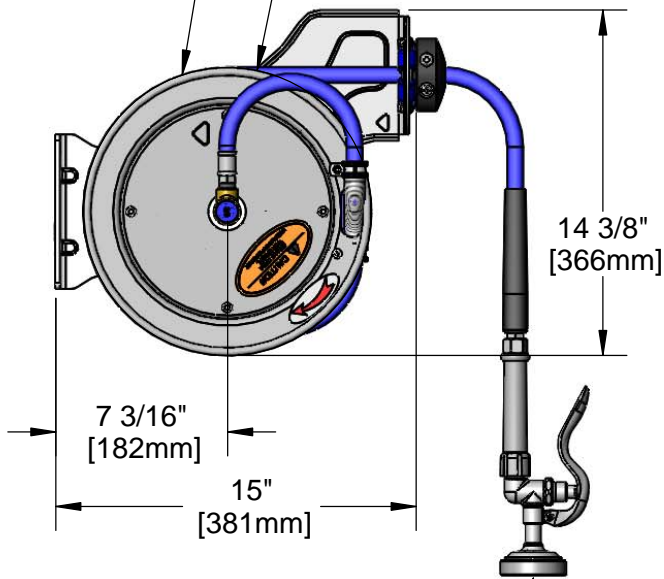
3/8" NPT Female Inlet  
 (Left Side of Reel)



Open Stainless Steel  
 Hose Reel;  
 15 Ft. of 3/8" Hose

Ø 12"  
 [305mm]

7 1/4"  
 [184mm]

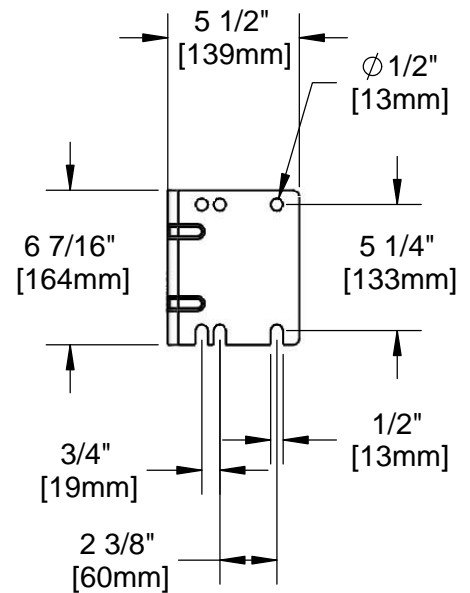
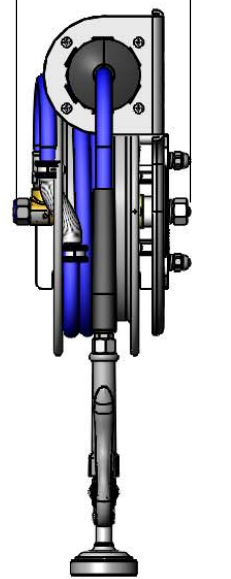


14 3/8"  
 [366mm]

7 3/16"  
 [182mm]

15"  
 [381mm]

B-0107  
 1.42 GPM  
 Spray Valve



5 1/2"  
 [139mm]

Ø 1/2"  
 [13mm]

6 7/16"  
 [164mm]

5 1/4"  
 [133mm]

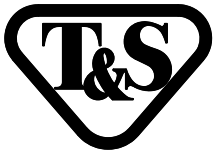
3/4"  
 [19mm]

1/2"  
 [13mm]

2 3/8"  
 [60mm]

Product Specifications:  
 3/8" x 15 Ft. Open Stainless Steel Reel w/ 1.42 GPM Spray Valve

Product Compliance:  
 NSF 61 Exempt (Non-Potable)  
 EPA Act 2005 (PRSV)



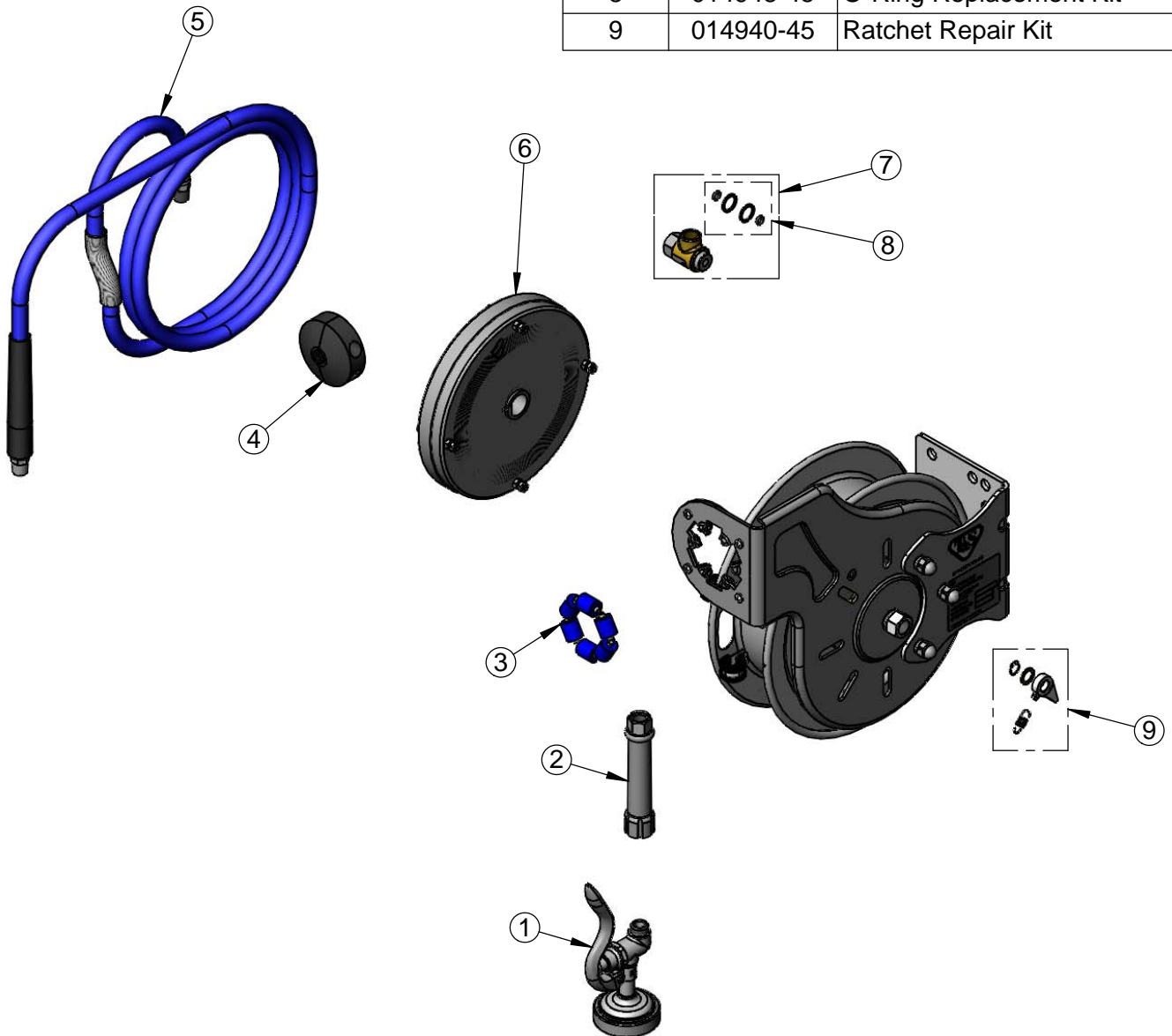
**T&S BRASS AND BRONZE WORKS, INC.**  
 2 Saddleback Cove / P.O. Box 1088  
 Travelers Rest, SC 29690

Model No.  
**B-7112-01M**

Item No.

Travelers Rest, SC: 800-476-4103 • Simi Valley, CA: 800-423-0150 • Fax: 864-834-3518 • www.tsbrass.com

ITEM NO.	SALES NO.	DESCRIPTION
1	B-0107	1.42 GPM Gray Spray Valve
2	002881-40	Gray Handle Grip
3	014938-45	Roller Assembly Repair Kit
4	014949-45	Hose Stop Repair Kit
5	014944-45	3/8" x 15' Hose Replacement Kit
6	014933-45	Small SS Spring Assembly
7	014946-45	3/8" Swivel Repair Kit
8	014948-45	O-Ring Replacement Kit
9	014940-45	Ratchet Repair Kit



Product Specifications:  
 3/8" x 15 Ft. Open Stainless Steel Reel w/ 1.42 GPM Spray Valve

Product Compliance:  
 NSF 61 Exempt (Non-Potable)  
 EPAAct 2005 (PRSV)