



T&S BRASS AND BRONZE WORKS, INC.

2 Saddleback Cove / P.O. Box 1088
Travelers Rest, SC 29690

Model No.

B-7102-08H

Item No.

Travelers Rest, SC: 800-476-4103 • Simi Valley, CA: 800-423-0150 • Fax: 864-834-3518 • www.tsbrass.com

This Space for Architect/Engineer Approval

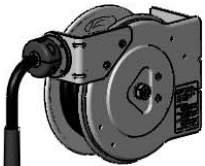
Job Name _____ Date _____

Model Specified _____ Quantity _____

Customer/Wholesaler _____

Contractor _____

Architect/Engineer _____



Wall Mount,
Hose Out

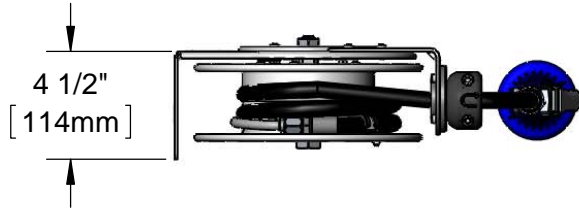


Under Counter,
Hose Out

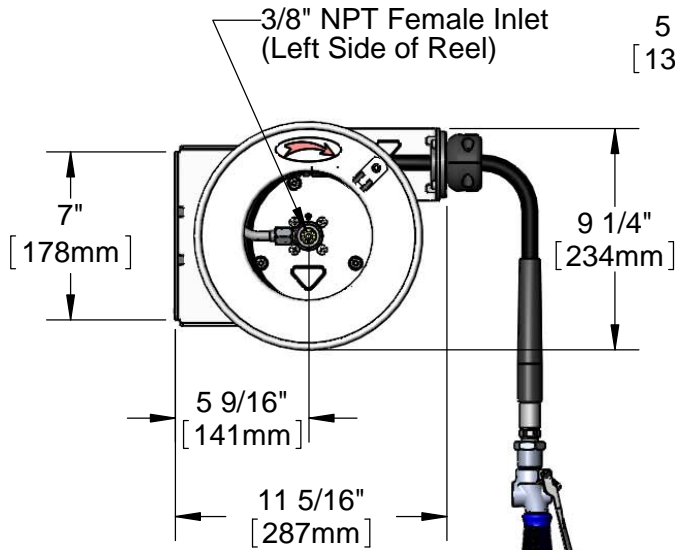


Wall Mount,
Hose Down

or
Under Counter,
Hose Down
(Default Configuration)



4 1/2"
[114mm]



3/8" NPT Female Inlet
(Left Side of Reel)

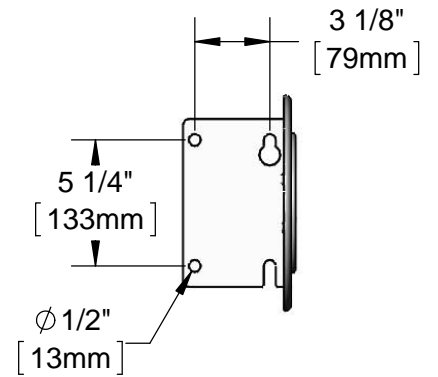
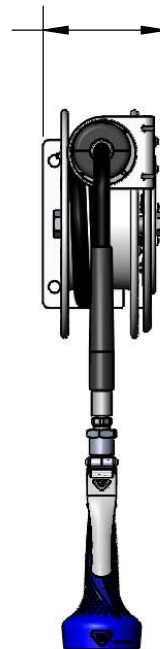
5 1/8"
[130mm]

7"
[178mm]

5 9/16"
[141mm]

11 5/16"
[287mm]

9 1/4"
[234mm]



Mounting Hole
Details

B-0108-H
High Flow
Spray Valve

Product Specifications:
3/8" x 12 Ft. Open Stainless Steel Reel w/ High Flow Spray Valve

Product Compliance:
NSF 61 Exempt (Non-Potable)
EPA Act 2005 Non-Compliant (PRSV)



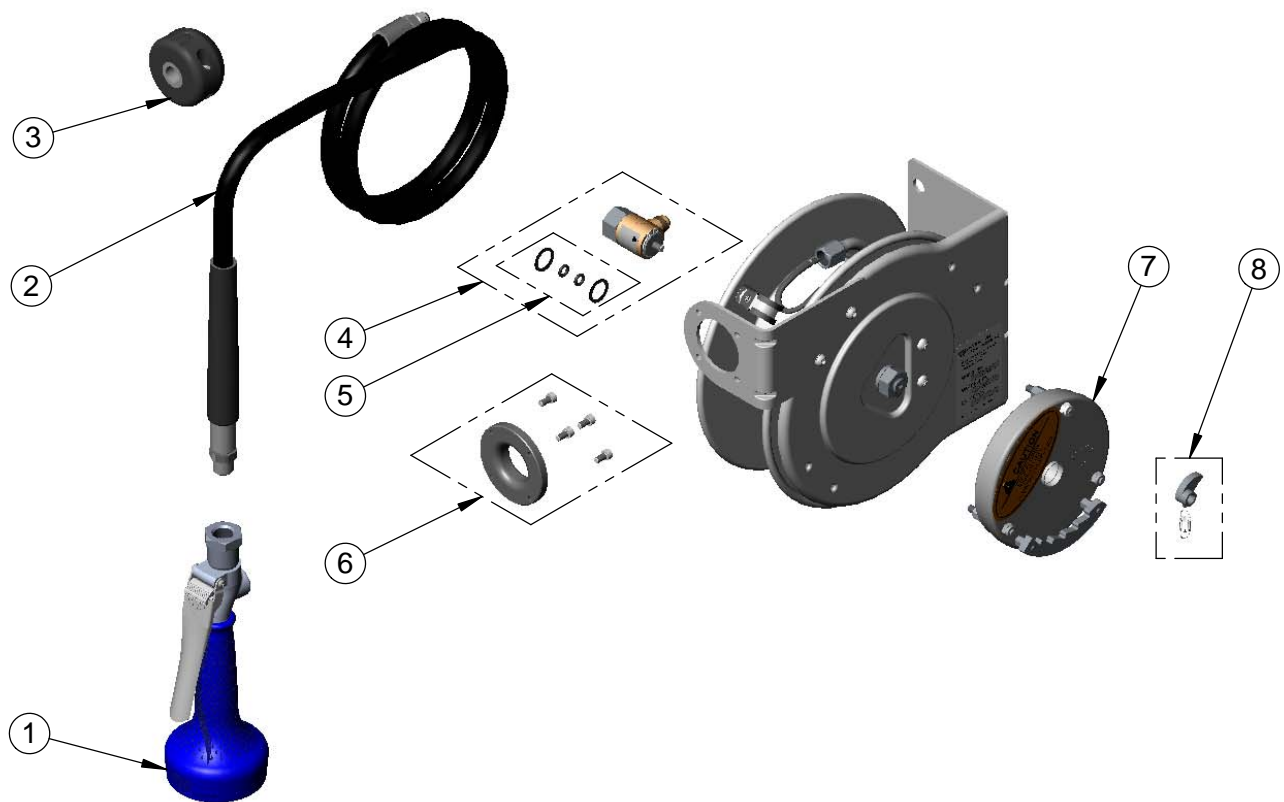
T&S BRASS AND BRONZE WORKS, INC.
 2 Saddleback Cove / P.O. Box 1088
 Travelers Rest, SC 29690

Model No.
B-7102-08H

Item No.

Travelers Rest, SC: 800-476-4103 • Simi Valley, CA: 800-423-0150 • Fax: 864-834-3518 • www.tsbrass.com

ITEM NO.	SALES NO.	DESCRIPTION
1	B-0108-H	High Flow Spray Valve
2	017938-45	3/8" x 12 Ft. Hose Replacement Kit
3	019246-45	Hose Stop Repair Kit
4	017355-45	Swivel Repair Kit
5	014948-45	O-Ring Replacement Kit
6	017352-45	Guide Bushing Kit
7	017362-45	Spring Assembly
8	017359-45	Ratchet Lever Kit



Product Specifications:
 3/8" x 12 Ft. Open Stainless Steel Reel w/ High Flow Spray Valve

Product Compliance:
 NSF 61 Exempt (Non-Potable)
 EPA Act 2005 Non-Compliant (PRSV)