



T&S BRASS AND BRONZE WORKS, INC.

2 Saddleback Cove / P.O. Box 1088
Travelers Rest, SC 29690

Model No.

B-7102-01M

Item No.

Travelers Rest, SC: 800-476-4103 • Simi Valley, CA: 800-423-0150 • Fax: 864-834-3518 • www.tsbrass.com

This Space for Architect/Engineer Approval

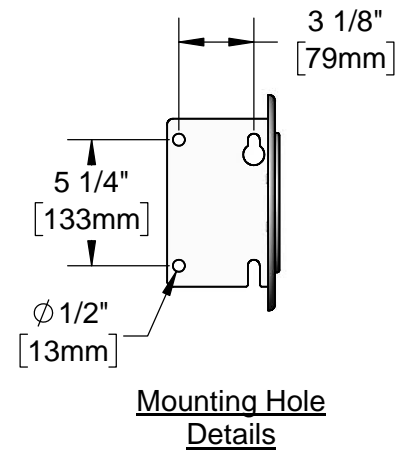
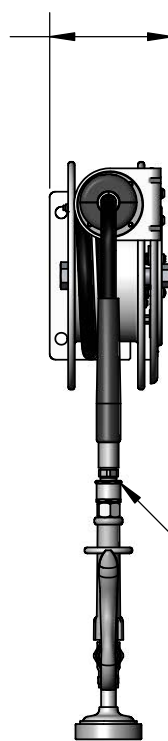
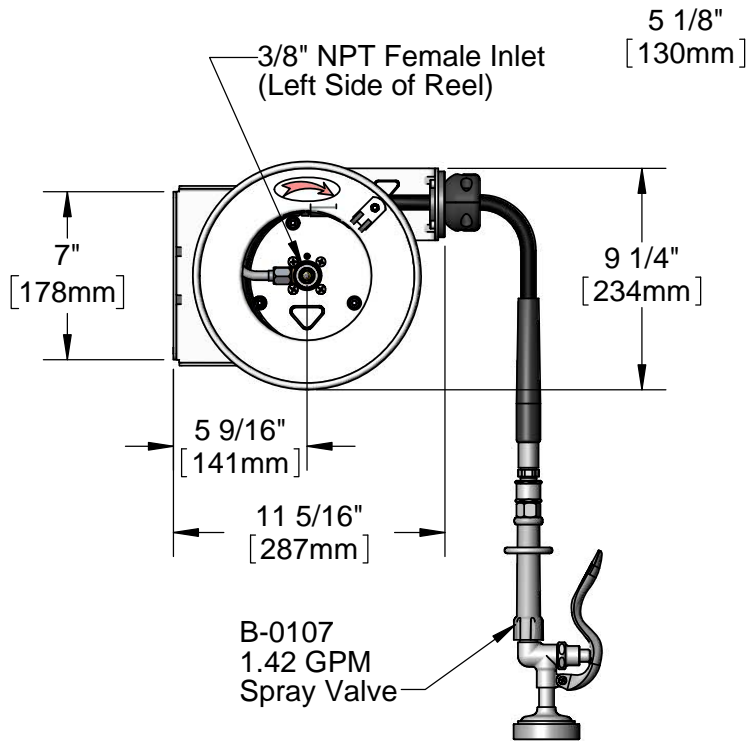
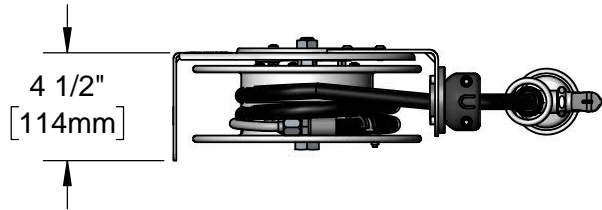
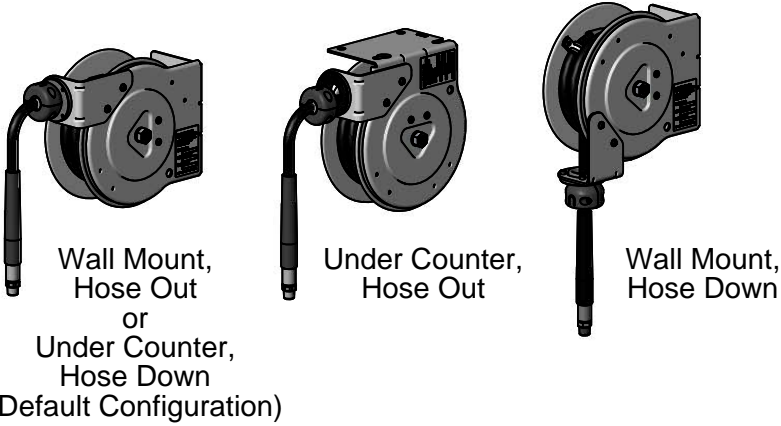
Job Name _____ Date _____

Model Specified _____ Quantity _____

Customer/Wholesaler _____

Contractor _____

Architect/Engineer _____



Product Specifications:
3/8" x 12 Ft. Open Stainless Steel Reel w/ 1.42 GPM Spray Valve w/ Swivel

Product Compliance:
NSF 61 Exempt (Non-Potable)
EPA Act 2005 (PRSV)



T&S BRASS AND BRONZE WORKS, INC.
 2 Saddleback Cove / P.O. Box 1088
 Travelers Rest, SC 29690

Model No.
B-7102-01M

Item No.

Travelers Rest, SC: 800-476-4103 • Simi Valley, CA: 800-423-0150 • Fax: 864-834-3518 • www.tsbrass.com

| ITEM NO. | SALES NO. | DESCRIPTION |
|----------|-----------|------------------------------------|
| 1 | B-0107 | 1.42 GPM Spray Valve (Gray) |
| 2 | 002881-40 | Grip Handle (Gray) w/ Washer |
| 3 | 017938-45 | 3/8" x 12 Ft. Hose Replacement Kit |
| 4 | 019246-45 | Hose Stop Repair Kit |
| 5 | 017355-45 | Swivel Repair Kit |
| 6 | 014948-45 | O-Ring Replacement Kit |
| 7 | 017352-45 | Guide Bushing Kit |
| 8 | 017362-45 | Spring Assembly |
| 9 | 017359-45 | Ratchet Lever Kit |
| 10 | 019652-40 | 3/8" NPT Live Swivel |



Product Specifications:
 3/8" x 12 Ft. Open Stainless Steel Reel w/ 1.42 GPM Spray Valve w/ Swivel

Product Compliance:
 NSF 61 Exempt (Non-Potable)
 EPA Act 2005 (PRSV)