



T&S BRASS AND BRONZE WORKS, INC.
 2 Saddleback Cove / P.O. Box 1088
 Travelers Rest, SC 29690

Model No.
B-7102-01M-STB

Item No.

Travelers Rest, SC: 800-476-4103 • Simi Valley, CA: 800-423-0150 • Fax: 864-834-3518 • www.tsbrass.com

This Space for Architect/Engineer Approval

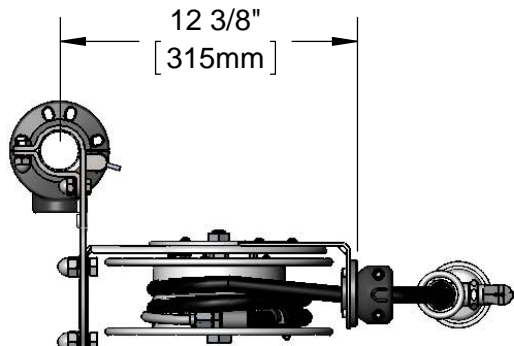
Job Name _____ Date _____

Model Specified _____ Quantity _____

Customer/Wholesaler _____

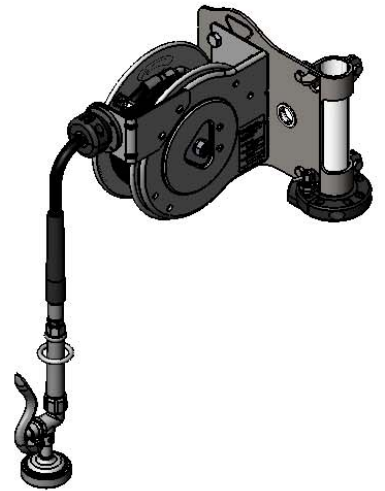
Contractor _____

Architect/Engineer _____



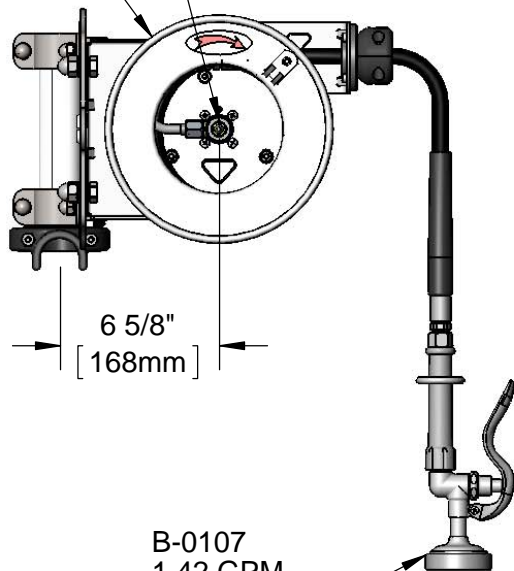
Mounting Hardware Included for Hose Reel to Bracket

Stainless Steel ϕ 1 5/8" Table Leg Mount Swing Bracket w/ 180° Multiple Locking Position Rotation



ϕ 9 1/2" [241mm]

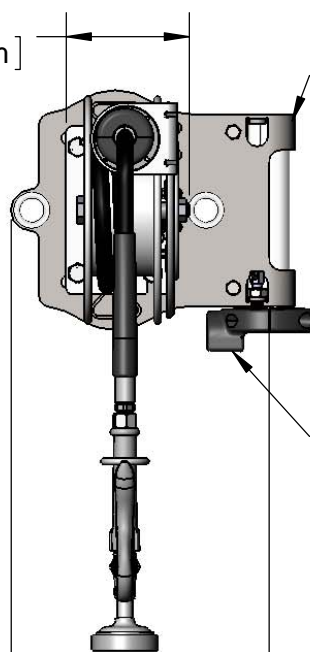
3/8" NPT Female Inlet (Left Side of Reel)



6 5/8" [168mm]

B-0107
 1.42 GPM
 Spray Valve

5 1/8" [130mm]



10 3/4" [273mm]

Bracket Can Be Mounted to Swing Either Left or Right

Must Have ϕ 1 5/8" Horizontal Support Attached to Table Leg

Product Specifications:

3/8" x 12 Ft. Open Stainless Steel Reel, 1.42 GPM Spray Valve & 180 Degree Stainless Steel Table Leg Multiple Locking Position Swing Bracket w/ Mounting Hardware for Hose Reel to Bracket

Product Compliance:

NSF 61 Exempt (Non-Potable)
 EPAAct 2005 (PRSV)



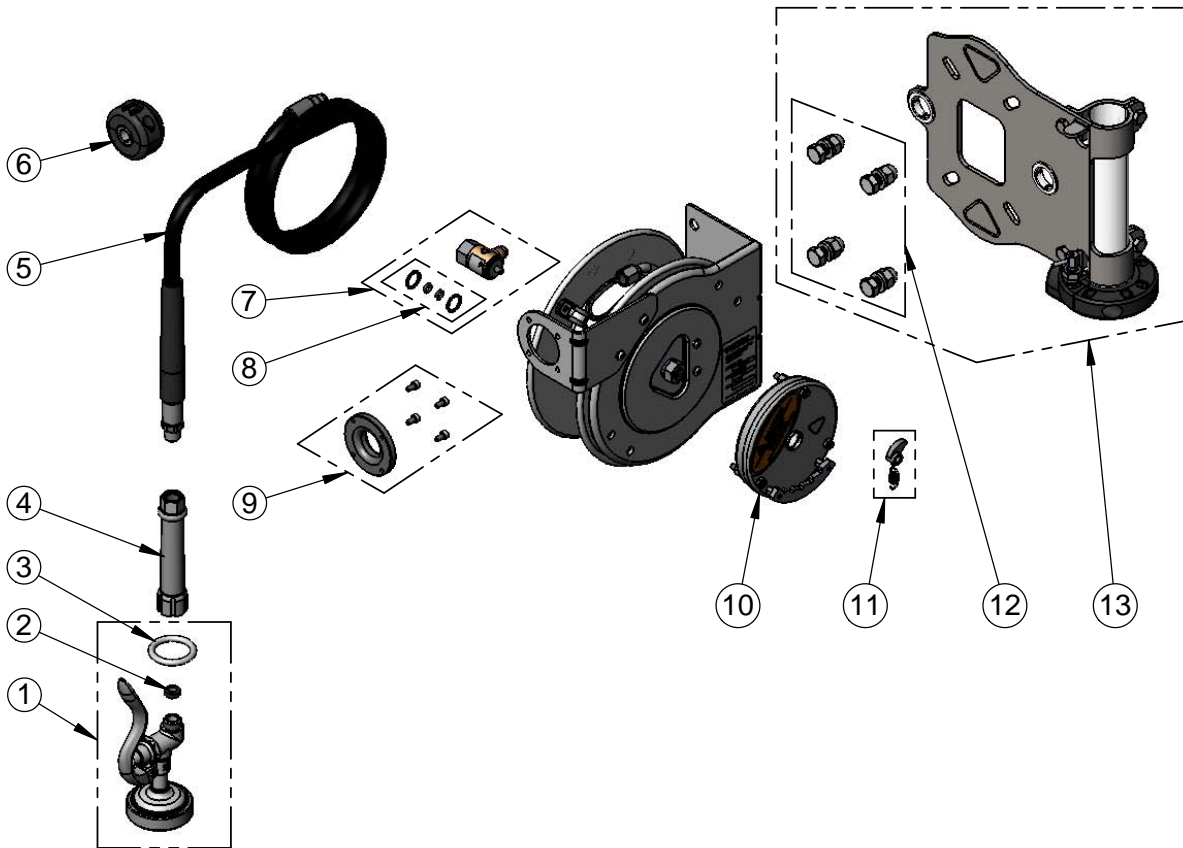
T&S BRASS AND BRONZE WORKS, INC.
 2 Saddleback Cove / P.O. Box 1088
 Travelers Rest, SC 29690

Model No.
B-7102-01M-STB

Item No.

Travelers Rest, SC: 800-476-4103 • Simi Valley, CA: 800-423-0150 • Fax: 864-834-3518 • www.tsbrass.com

ITEM NO.	SALES NO.	DESCRIPTION
1	B-0107	1.42 GPM Spray Valve
2	010476-45	#27 Washer
3	000907-45	Spray Valve Hold Down Ring
4	002881-40	Grip Handle
5	017938-45	3/8" x 12 Ft. Hose Replacement Kit
6	019246-45	Hose Stop Repair Kit
7	017355-45	Swivel Repair Kit
8	014948-45	O-Ring Replacement Kit
9	017352-45	Guide Bushing Kit
10	017362-45	Spring
11	017359-45	Ratchet Lever Kit
12	019191-45K	Hose Reel Bracket Mounting Kit
13	G018477-45	Stainless Steel Table Leg Swing Bracket



Product Specifications:
 3/8" x 12 Ft. Open Stainless Steel Reel, 1.42 GPM Spray Valve & 180 Degree
 Stainless Steel Table Leg Multiple Locking Position Swing Bracket w/ Mounting
 Hardware for Hose Reel to Bracket

Product Compliance:
 NSF 61 Exempt (Non-Potable)
 EPAAct 2005 (PRSV)



Stainless Steel Retractable Hose Reel

B-7102-01M-STB

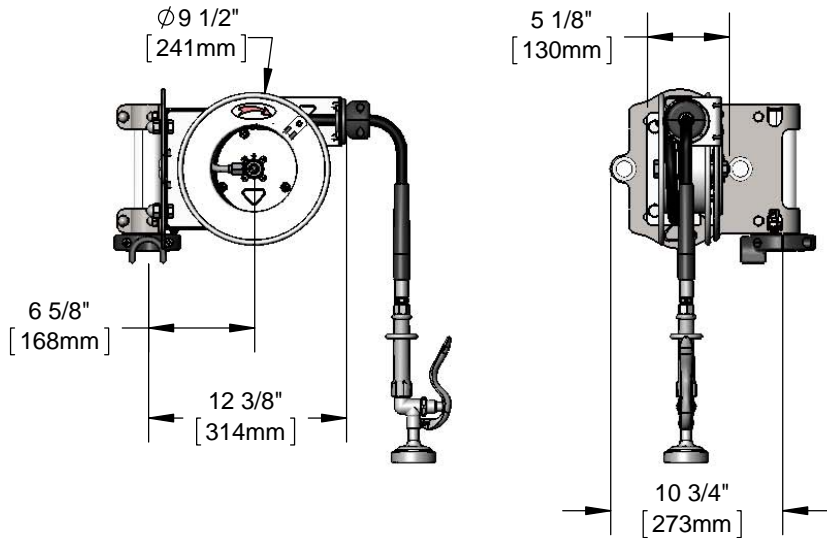
TAG:

Open Stainless Steel Hose Reel

Architect/Engineering Specifications:

Open stainless steel hose reel, 1.42 GPM spray valve, 3/8" x 12' hose, ratcheting system, multi-fit bracket, adjustable hose bumper, 3/8" NPT female inlet and table leg hose reel swing bracket.

Job Name _____
 Model Specified _____ Quantity _____
 Variations Specified _____
 Date _____



Features & Benefits:

- Open stainless steel hose reel
- 1.42 GPM spray valve
- 3/8" x 12' hose rated to 300 PSI
- Ratcheting system holds the length of hose until a slight tug to retract automatically
- 3/8" NPT female inlet
- Adjustable hose bumper
- Multi-fit bracket for wall, ceiling or under counter mounting
- Table leg hose reel swing bracket
- Material: Stainless steel open reel, wall bracket and hose reel swing bracket & polished chrome brass plated spray valve

Product Compliance:

- NSF 61 Exempt (Non-Potable)
- EPA Act 2005 (PRSV)

Warranty: One Year (Limited)

Performance Data:

- Pressure: 20 - 125 psi
- Temperature: 40 °F - 140 °F
- Flow Rate: 1.42 GPM @ 60 psi

Optional Hose Reel Spray Valves

- B-0107 Med Flow Spray Valve (Standard)
- B-0108 Ergonomic Medium Flow Spray Valve
- B-0108-H Ergonomic High Flow Spray Valve
- EB-0107 High Flow Spray Valve
- EB-2322 Extended Spray Wand
- MV-2516-24 Stainless Steel Rear Trigger Water Gun
- MV-2522-24 Stainless Steel Front Trigger Water Gun
- MV-3516-24 Aluminum Rear Trigger Water Gun

Optional Hose Reel Multi-Fit Brackets

1/4", 3/8", & 1/2" Stainless Steel Hose Reel

- G016737-45 Stainless Steel Wall Swing Bracket
- G016652-45 Deck Mount Pivot Bracket
- G018477-45 Stainless Steel Table Leg Swing Bracket (Standard)



T&S BRASS AND BRONZE WORKS, INC.



• 2 Saddleback Cove • Travelers Rest, SC 29690
 Ph 800-476-4103 • Fax 864-834-3518
 • Simi Valley, CA • Ph 800-423-0150 • www.tsbrass.com

Date: 08/26/16