



# T&S BRASS AND BRONZE WORKS, INC.

2 Saddleback Cove / P.O. Box 1088  
Travelers Rest, SC 29690



REG. #A2601  
ISO #9001

Model No.

**B-3972-VR**

Item No.

Travelers Rest, SC: 800-476-4103 Simi Valley, CA: 800-423-0150 Fax: 864-834-3518 www.tsbrass.com

This Space for Architect/Engineer Approval

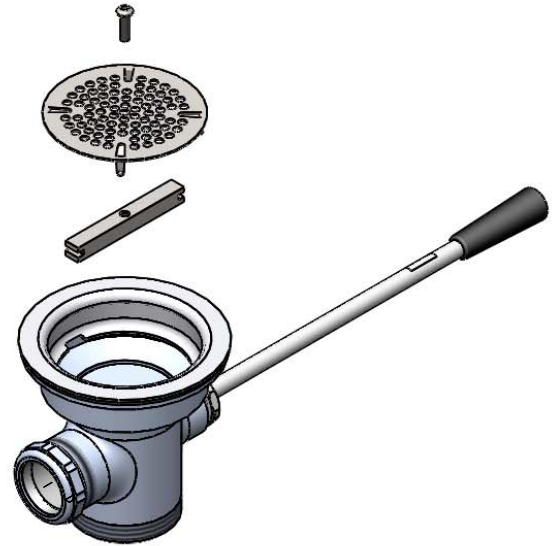
Job Name \_\_\_\_\_ Date \_\_\_\_\_

Model Specified \_\_\_\_\_ Quantity \_\_\_\_\_

Customer/Wholesaler \_\_\_\_\_

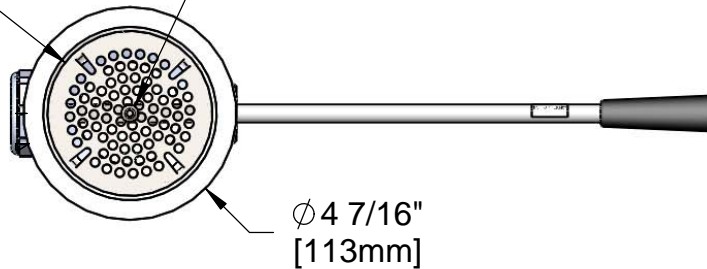
Contractor \_\_\_\_\_

Architect/Engineer \_\_\_\_\_

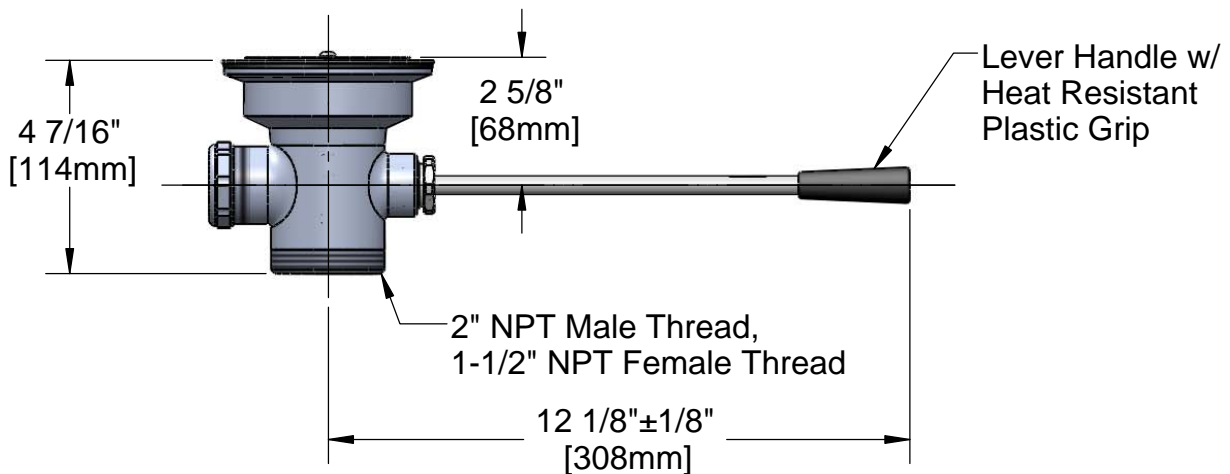


Recessed Hex Screw Requires  
1/8" Hex Key for Installation and  
Removal of Strainer

Vandal Resistant  
Flat Strainer



Ø 4 7/16"  
[113mm]



Lever Handle w/  
Heat Resistant  
Plastic Grip

4 7/16"  
[114mm]

2 5/8"  
[68mm]

2" NPT Male Thread,  
1-1/2" NPT Female Thread

12 1/8" ± 1/8"  
[308mm]

Product Specifications:

Waste Drain Valve w/ Lever Handle, 3 1/2" Sink Opening, 2" NPT Male -  
1-1/2" NPT Female Thread Outlet, Vandal Resistant Flat Strainer

Drawn  
**GEF**

Checked  
**KJG**

Approved  
**JHB**

Scale:

**1:4**

Date:

**07/15/11**



**T&S BRASS AND BRONZE WORKS, INC.**

2 Saddleback Cove / P.O. Box 1088  
Travelers Rest, SC 29690



REG. #A2601  
ISO #9001

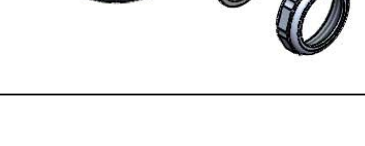
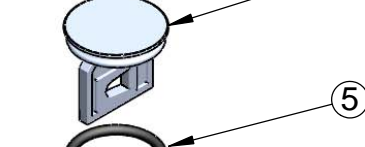
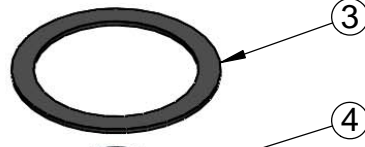
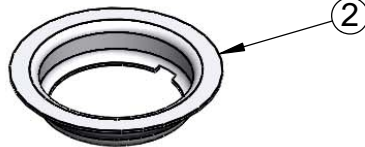
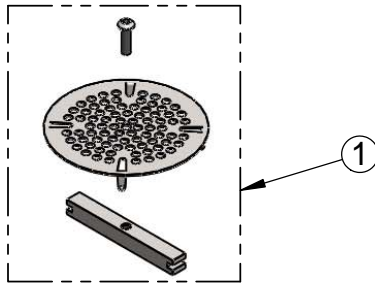
Model No.

**B-3972-VR**

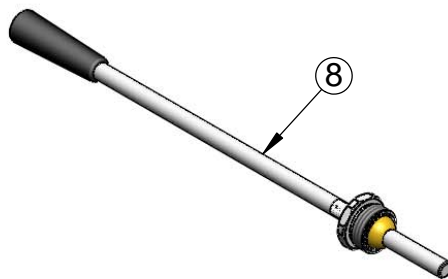
Item No.

Travelers Rest, SC: 800-476-4103 Simi Valley, CA: 800-423-0150 Fax: 864-834-3518 www.tsbrass.com

ITEM NO.	SALES NO.	DESCRIPTION
1	010386-45VR	Vandal Resistant Locking Flat Strainer, 3-1/2"
2	010384-45	Flange, 3 1/2" Face
3	010382-45	Gasket, 3 1/2" Face Flange
4	010388-45	Plunger, Lever and Twist Drain
5	010389-45	O-Ring, Plunger
6	010390-45	Ferrule, Coupling Nut
7	010391-45	Nut, Coupling For Twist Drain
8	010394-45	Rod Asm, Waste Drain Lever
9	010392-45	Bushing, Waste Drain Lever Handle



Washers, O-Rings & Gaskets are Included in Parts Kit B-39K



Also Furnished w/ Sealing Cap When Overflow Tube Coupling Nut is Not Used.  
PN# 012640-45

Product Specifications:

Waste Drain Valve w/ Lever Handle, 3 1/2" Sink Opening, 2" NPT Male - 1-1/2" NPT Female Thread Outlet, Vandal Resistant Flat Strainer

Drawn <b>GEF</b>	Checked <b>KJG</b>	Approved <b>JHB</b>
Scale: <b>1:4</b>		Date: <b>07/15/11</b>