



T&S BRASS AND BRONZE WORKS, INC.

2 Saddleback Cove / P.O. Box 1088
Travelers Rest, SC 29690

Model No.

B-3506

Item No.

Travelers Rest, SC: 800-476-4103 • Simi Valley, CA: 800-423-0150 • Fax: 864-834-3518 • www.tsbrass.com

This Space for Architect/Engineer Approval

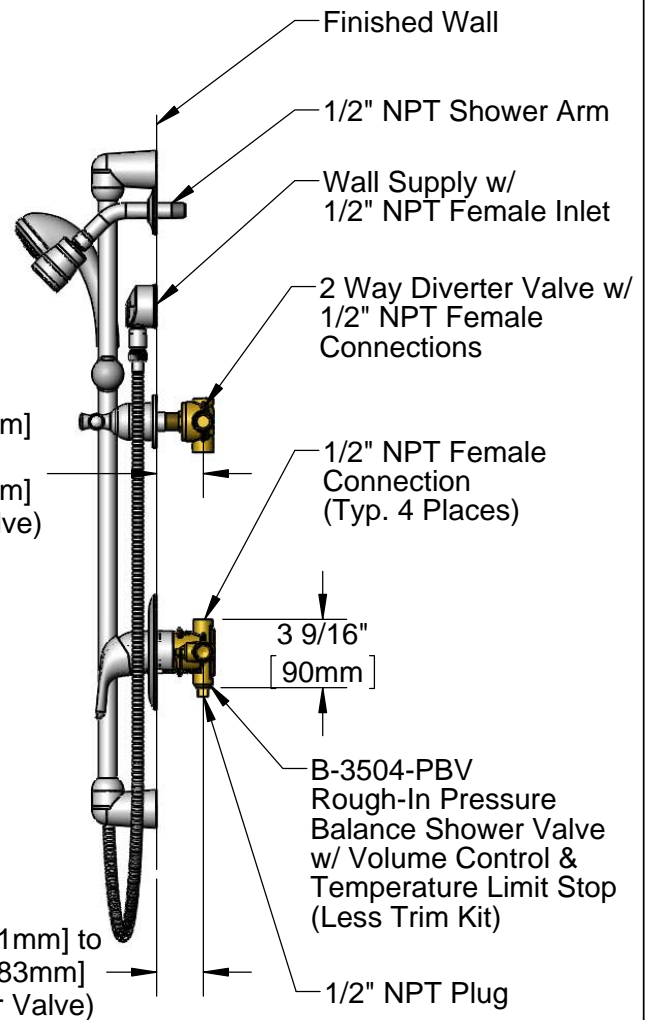
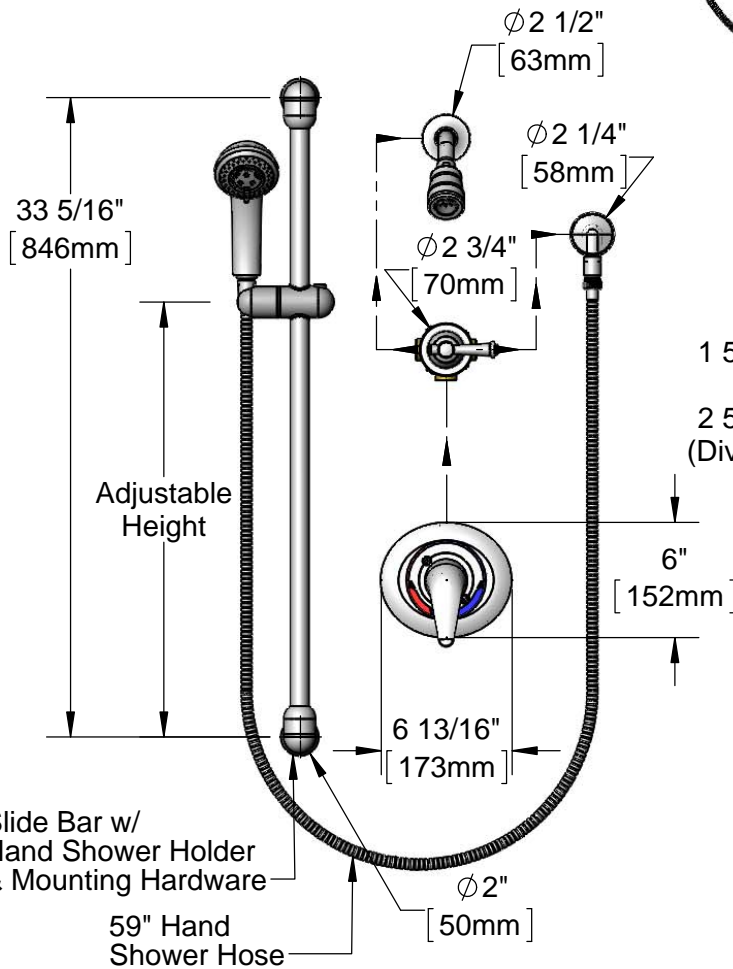
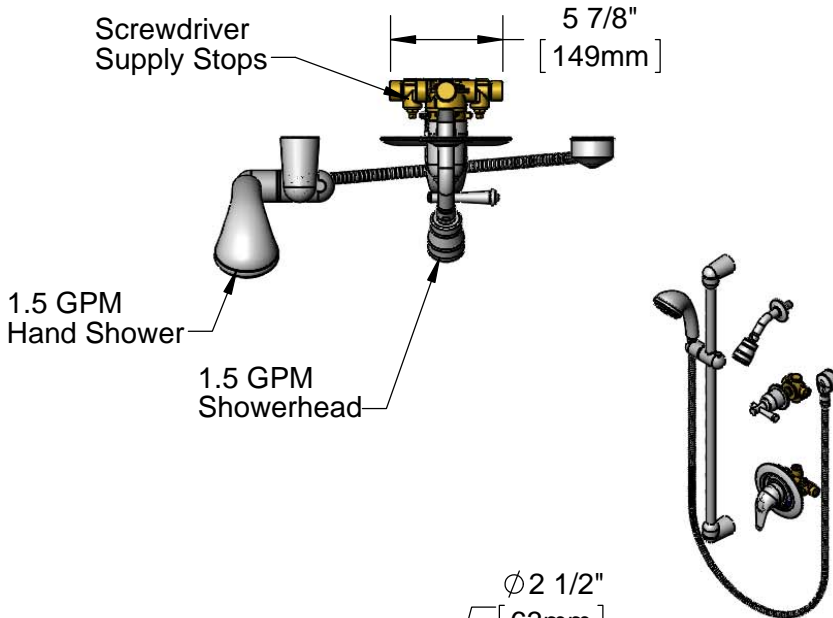
Job Name _____ Date _____

Model Specified _____ Quantity _____

Customer/Wholesaler _____

Contractor _____

Architect/Engineer _____



Product Specifications:

Pressure Balance Shower Valve, 1/2" NPT Female Connections, 2 Way Diverter Valve, Wall Supply, 59" Hand Shower Hose, Slide Bar w/ Hand Shower Holder, 1.5 GPM Hand Shower & 1.5 GPM Showerhead

Product Compliance:

ASME A112.18.1 / CSA B125.1
NSF 61 Exempt (Non-Potable)
ANSI A117.1 (ADA)
ASSE 1016 / ASME A112.1016 / CSA B125.16



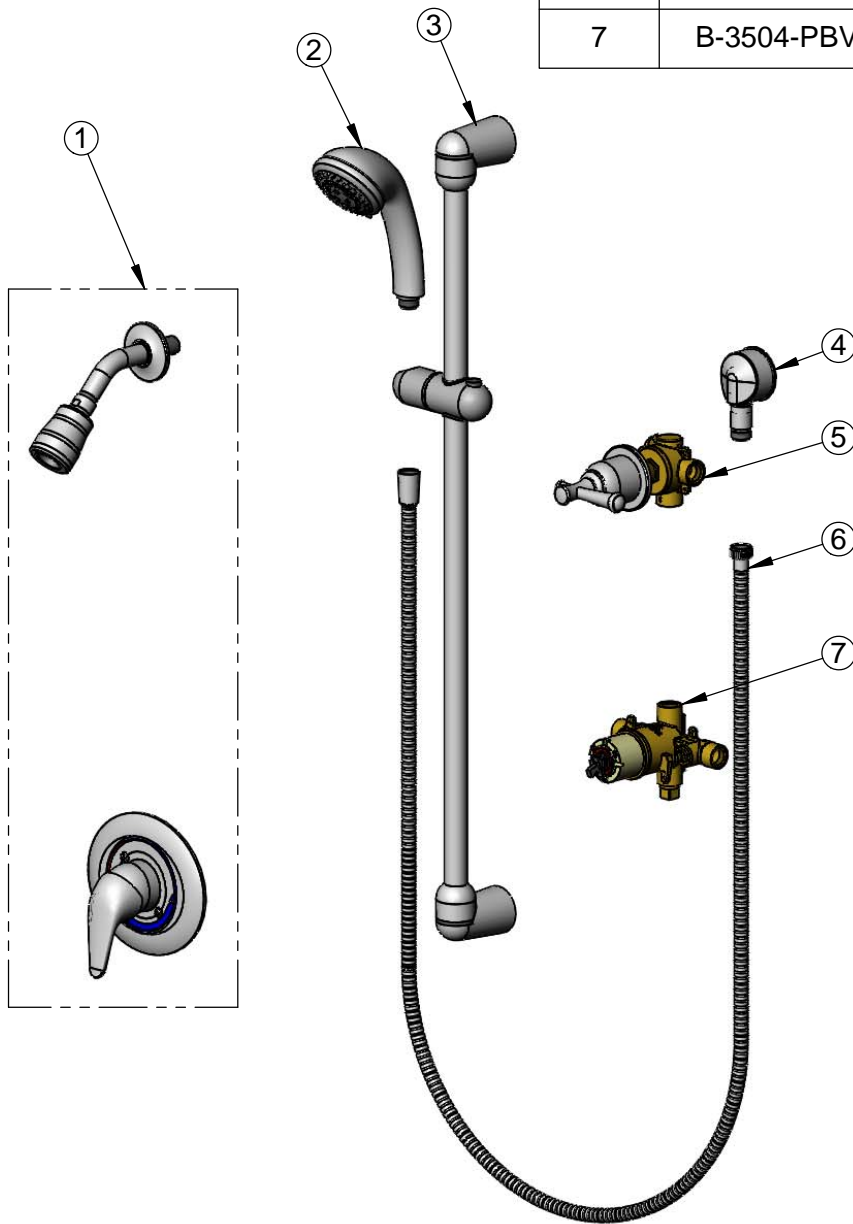
T&S BRASS AND BRONZE WORKS, INC.
 2 Saddleback Cove / P.O. Box 1088
 Travelers Rest, SC 29690

Model No.
B-3506

Item No.

Travelers Rest, SC: 800-476-4103 • Simi Valley, CA: 800-423-0150 • Fax: 864-834-3518 • www.tsbrass.com

ITEM NO.	SALES NO.	DESCRIPTION
1	018592-45	Shower Trim Kit
2	018594-45	3 Function Hand Shower, 1.5 GPM
3	018593-45	36" Slide Bar & Hand Shower Holder
4	018596-45	Wall Outlet
5	018590-45	2 Way Diverter Valve
6	018595-45	59" Hand Shower Hose
7	B-3504-PBV	PB Shower Rough-In Valve, B-3504-PBV



Product Specifications:
 Pressure Balance Shower Valve, 1/2" NPT Female Connections, 2 Way Diverter Valve, Wall Supply, 59" Hand Shower Hose, Slide Bar w/ Hand Shower Holder, 1.5 GPM Hand Shower & 1.5 GPM Showerhead

Product Compliance:
 ASME A112.18.1 / CSA B125.1
 NSF 61 Exempt (Non-Potable)
 ANSI A117.1 (ADA)
 ASSE 1016 / ASME A112.1016 / CSA B125.16