



T&S BRASS AND BRONZE WORKS, INC.
 2 Saddleback Cove / P.O. Box 1088
 Travelers Rest, SC 29690

Model No.
B-3504

Item No.

Travelers Rest, SC: 800-476-4103 • Simi Valley, CA: 800-423-0150 • Fax: 864-834-3518 • www.tsbrass.com



ADA Compliant

This Space for Architect/Engineer Approval

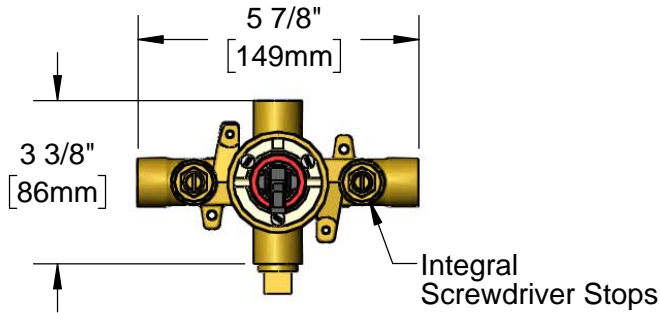
Job Name _____ Date _____

Model Specified _____ Quantity _____

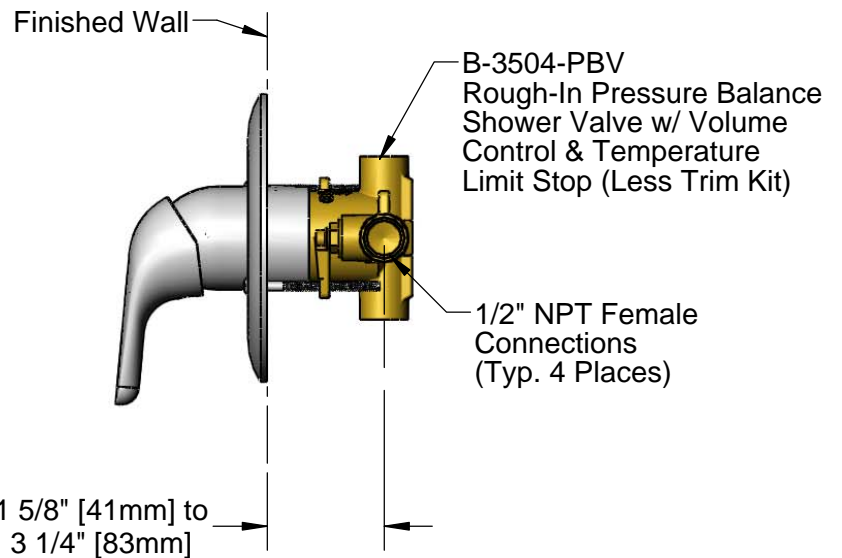
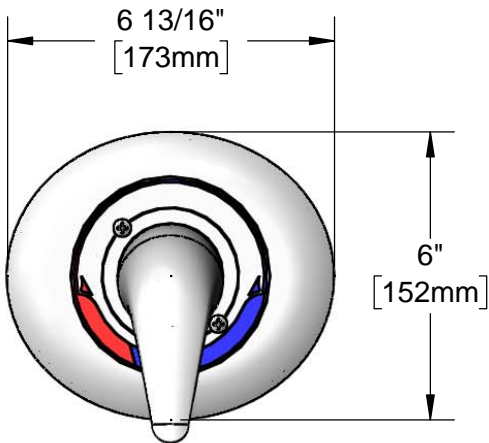
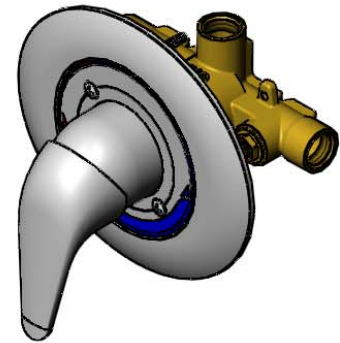
Customer/Wholesaler _____

Contractor _____

Architect/Engineer _____



B-3504-PBV: Rough-In Shower Valve Detail
 (Scale 1:4)



Product Specifications:
 Pressure Balance Shower Valve w/ Volume Control,
 Temperature Limit Stop, 1/2" NPT Female Connections & Trim Kit
 (Cover Plate & Lever Handle)

Product Compliance:
 ASSE 1016 / ASME A112.1016 / CSA B125.16
 ASME A112.18.1 / CSA B125.1
 ANSI A117.1 (ADA)
 NSF 61 Exempt (Non-Potable)



T&S BRASS AND BRONZE WORKS, INC.

2 Saddleback Cove / P.O. Box 1088
Travelers Rest, SC 29690

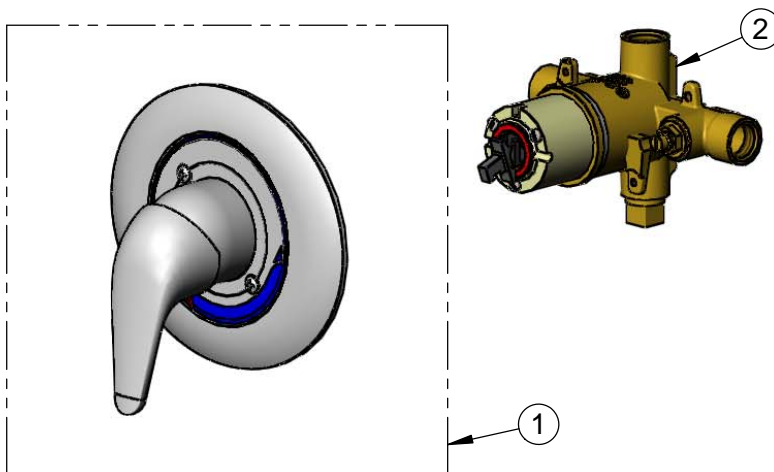
Model No.

B-3504

Item No.

Travelers Rest, SC: 800-476-4103 • Simi Valley, CA: 800-423-0150 • Fax: 864-834-3518 • www.tsbrass.com

ITEM NO.	SALES NO.	DESCRIPTION
1	018670-45	Valve Only Trim Kit
2	B-3504-PBV	PB Shower Rough-In Valve, B-3504-PBV



Product Specifications:

Pressure Balance Shower Valve w/ Volume Control,
Temperature Limit Stop, 1/2" NPT Female Connections & Trim Kit
(Cover Plate & Lever Handle)

Product Compliance:

ASSE 1016 / ASME A112.1016 / CSA B125.16
ASME A112.18.1 / CSA B125.1
ANSI A117.1 (ADA)
NSF 61 Exempt (Non-Potable)