



# T&S BRASS AND BRONZE WORKS, INC.

2 Saddleback Cove / P.O. Box 1088  
Travelers Rest, SC 29690

Model No.

**B-3504-PBV**

Item No.

Travelers Rest, SC: 800-476-4103 • Simi Valley, CA: 800-423-0150 • Fax: 864-834-3518 • www.tsbrass.com

This Space for Architect/Engineer Approval

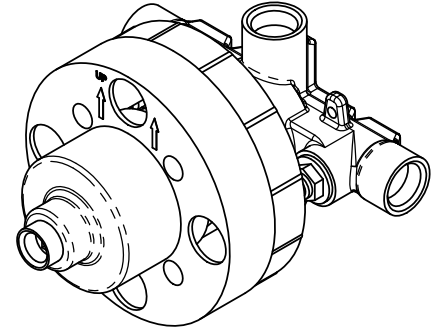
Job Name \_\_\_\_\_ Date \_\_\_\_\_

Model Specified \_\_\_\_\_ Quantity \_\_\_\_\_

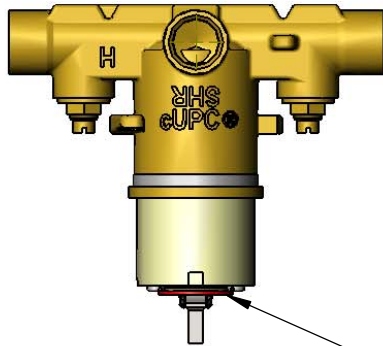
Customer/Wholesaler \_\_\_\_\_

Contractor \_\_\_\_\_

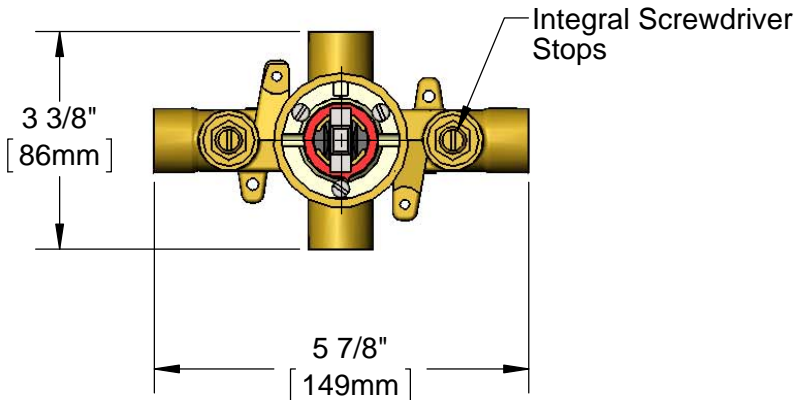
Architect/Engineer \_\_\_\_\_



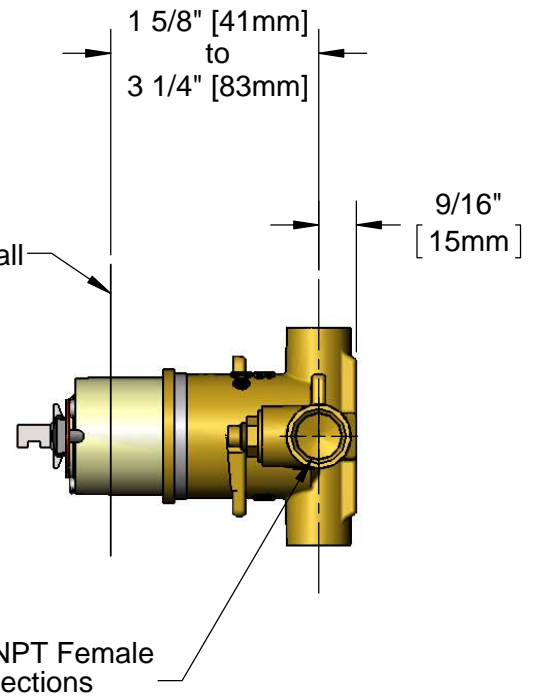
Shown Above w/ Plaster Guard



Pressure Balance Cartridge  
w/ Volume Control &  
Temperature Limit Stop



Integral Screwdriver  
Stops



Finished Wall

1/2" NPT Female  
Connections

**Notes:**

1. May Be Used w/ 1.5 GPM Showerheads
2. For B-3500, B-3501 Series Pre-Installation:
  - 018591-45: Bath / Shower Valve Trim Kit w/ 1.5 GPM Showerhead & Tub Spout
  - 018592-45: Shower Valve Trim Kit w/ 1.5 GPM Showerhead Only

**Product Specifications:**

Pressure Balance Shower Valve Only (ASSE 1016) w/ Volume Control, Temperature Limit Stop, 1/2" NPT Female Connections

Drawn

**DMH**

Checked

**KJG**

Approved

**JHB**

Scale:

**1:3**

Date:

**01/09/13**