



**T&S BRASS AND BRONZE WORKS, INC.**  
 2 Saddleback Cove / P.O. Box 1088  
 Travelers Rest, SC 29690

Model No.  
**B-3500**

Item No.

Travelers Rest, SC: 800-476-4103 • Simi Valley, CA: 800-423-0150 • Fax: 864-834-3518 • www.tsbrass.com

This Space for Architect/Engineer Approval

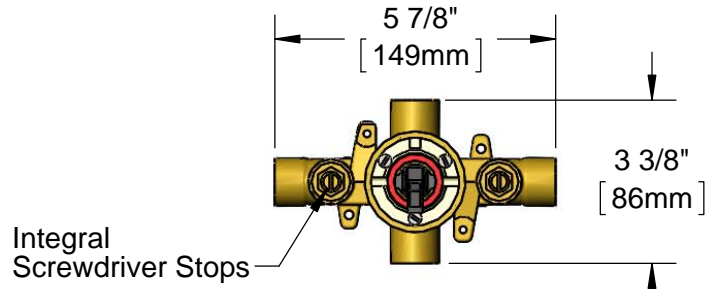
Job Name \_\_\_\_\_ Date \_\_\_\_\_

Model Specified \_\_\_\_\_ Quantity \_\_\_\_\_

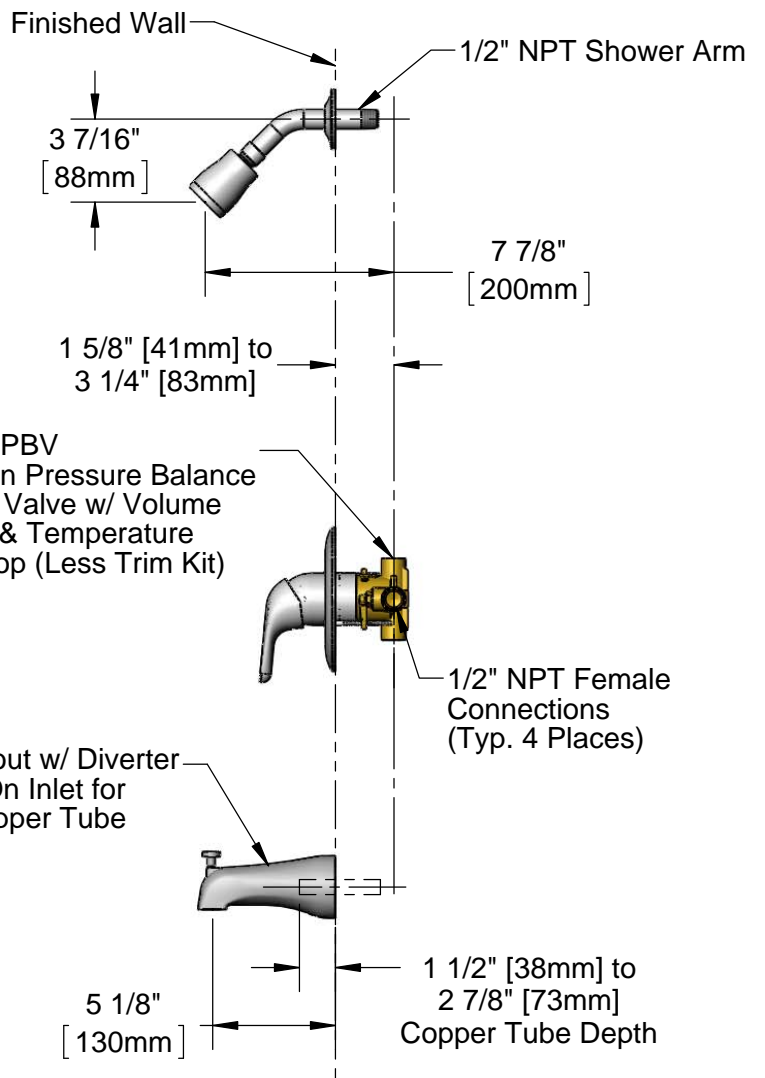
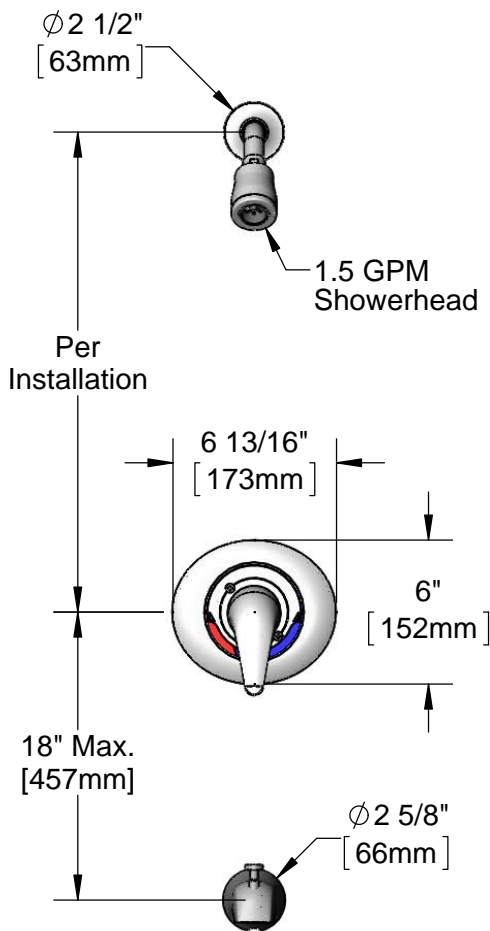
Customer/Wholesaler \_\_\_\_\_

Contractor \_\_\_\_\_

Architect/Engineer \_\_\_\_\_



**B-3504-PBV: Rough-In Shower Valve Detail**  
 (Scale 1:4)



Product Specifications:  
 Pressure Balance Shower Valve (ASSE 1016) w/ Volume Control,  
 Temperature Limit Stop, 1/2" NPT Female Connections &  
 Bath/Shower Trim Kit (1.5 GPM Showerhead, Shower Arm,  
 Escutcheon, Cover Plate, Lever Handle & Tub Spout)

Drawn <b>DMH</b>	Checked <b>KJG</b>	Approved <b>JHB</b>
Scale: <b>1:8</b>		Date: <b>05/06/13</b>



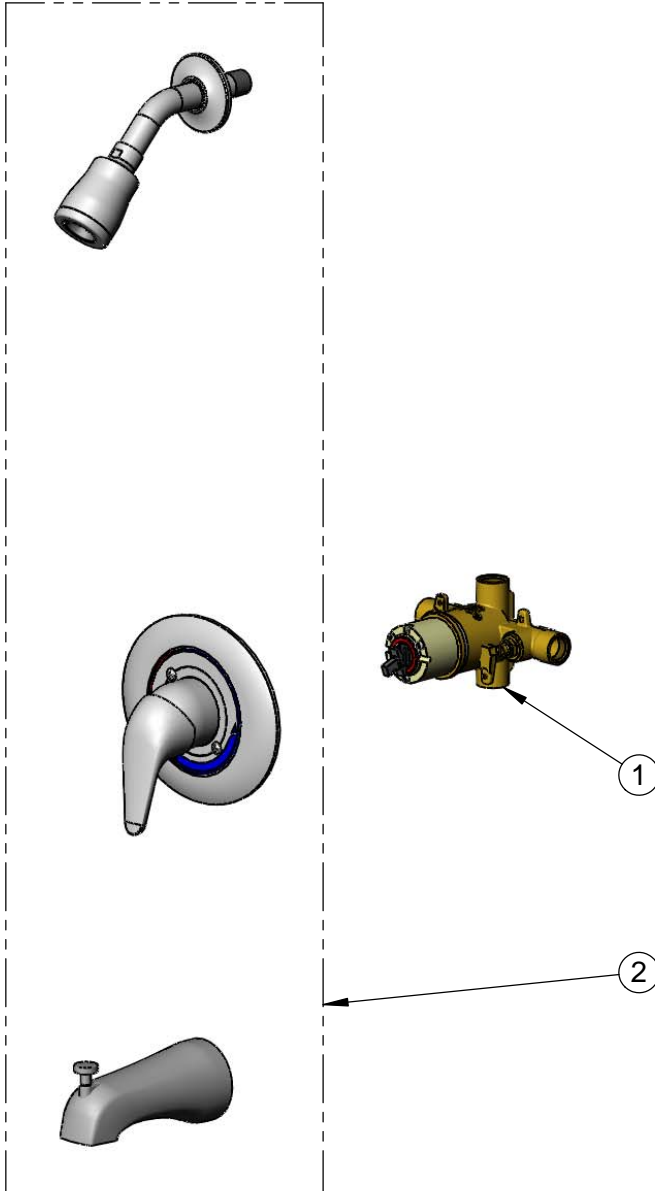
**T&S BRASS AND BRONZE WORKS, INC.**  
 2 Saddleback Cove / P.O. Box 1088  
 Travelers Rest, SC 29690

Model No.  
**B-3500**

Item No.

Travelers Rest, SC: 800-476-4103 • Simi Valley, CA: 800-423-0150 • Fax: 864-834-3518 • www.tsbrass.com

ITEM NO.	SALES NO.	DESCRIPTION
1	B-3504-PBV	PB Shower Rough-In Valve
2	018591-45	Bath / Shower Trim Kit



Product Specifications:  
 Pressure Balance Shower Valve (ASSE 1016) w/ Volume Control,  
 Temperature Limit Stop, 1/2" NPT Female Connections &  
 Bath/Shower Trim Kit (1.5 GPM Showerhead, Shower Arm,  
 Escutcheon, Cover Plate, Lever Handle & Tub Spout)

Drawn <b>DMH</b>	Checked <b>KJG</b>	Approved <b>JHB</b>
Scale: <b>NTS</b>		Date: <b>05/06/13</b>