



**T&S BRASS AND BRONZE WORKS, INC.**  
 2 Saddleback Cove / P.O. Box 1088  
 Travelers Rest, SC 29690

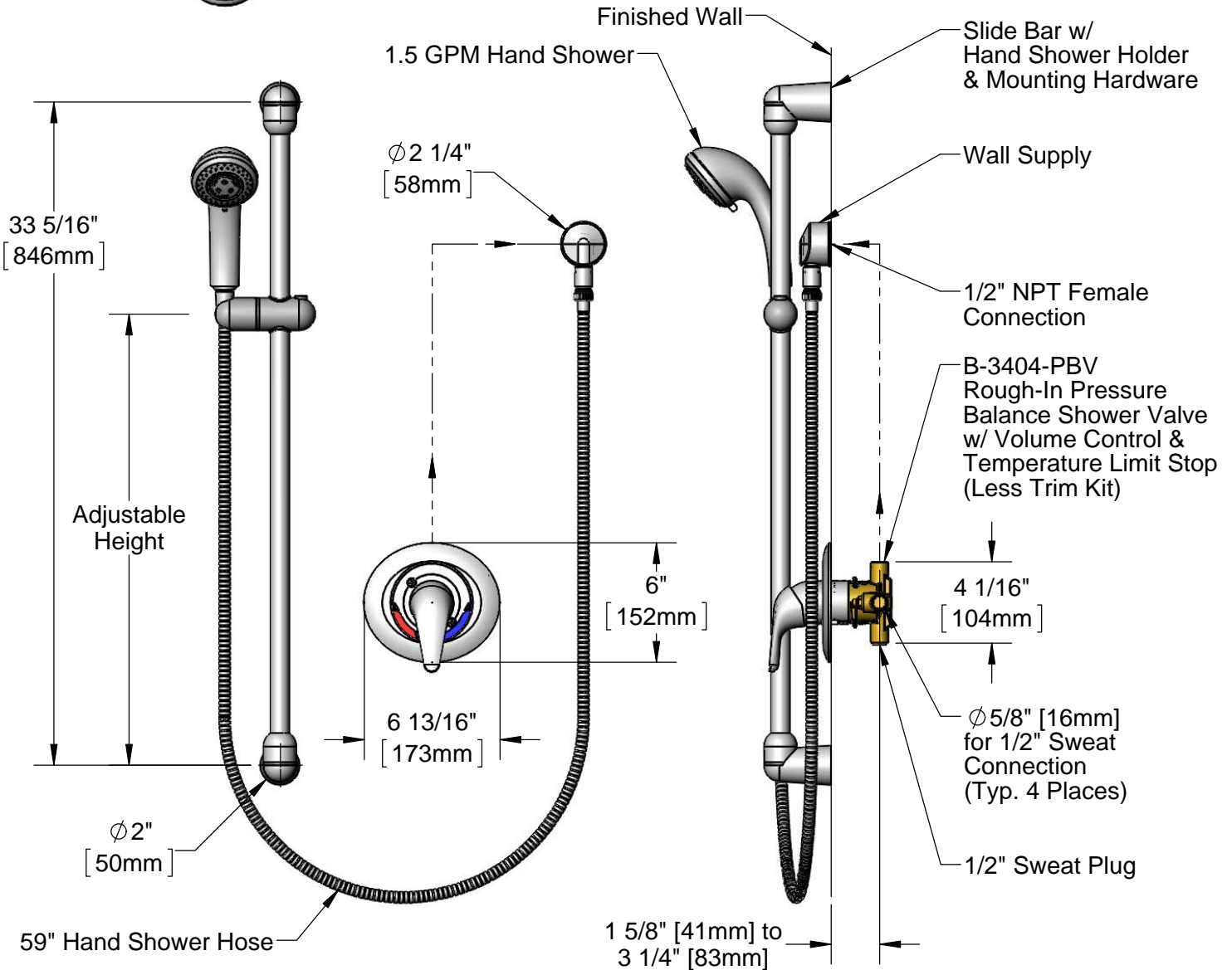
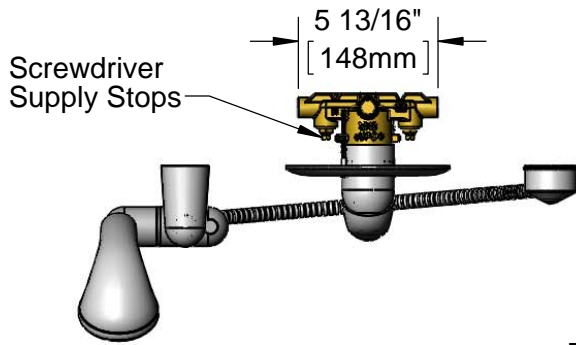
Model No.  
**B-3405**

Item No.

Travelers Rest, SC: 800-476-4103 • Simi Valley, CA: 800-423-0150 • Fax: 864-834-3518 • www.tsbrass.com

This Space for Architect/Engineer Approval

Job Name \_\_\_\_\_ Date \_\_\_\_\_  
 Model Specified \_\_\_\_\_ Quantity \_\_\_\_\_  
 Customer/Wholesaler \_\_\_\_\_  
 Contractor \_\_\_\_\_  
 Architect/Engineer \_\_\_\_\_



**Product Specifications:**  
 Pressure Balance Shower Valve, 1/2" Sweat Connections, Wall Supply, 59" Hand Shower Hose, Slide Bar w/ Hand Shower Holder, & 1.5 GPM Hand Shower

**Product Compliance:**  
 ASME A112.18.1 / CSA B125.1  
 ASSE 1016 / ASME A112.1016 / CSA B125.16  
 NSF 61 Exempt (Non-Potable)  
 ANSI A117.1 (ADA)

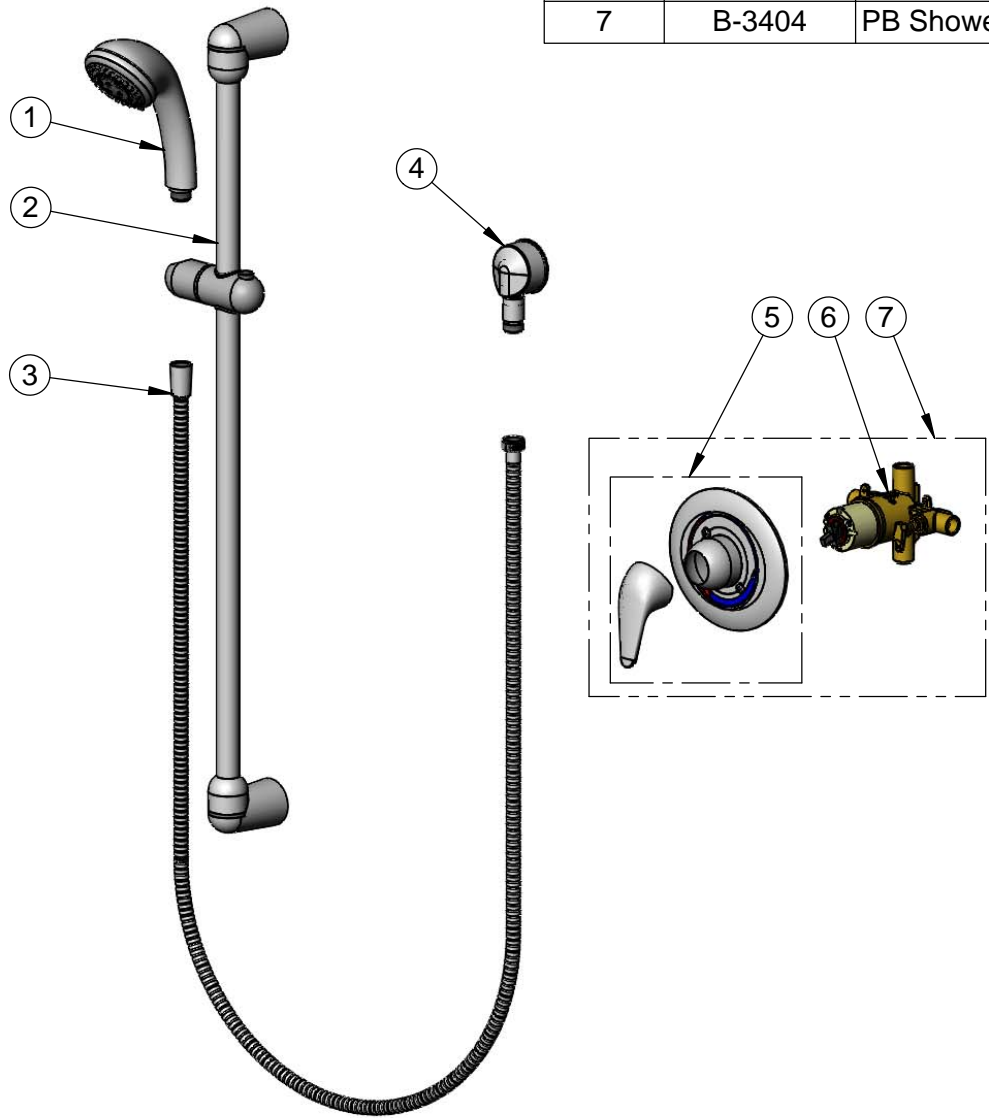


**T&S BRASS AND BRONZE WORKS, INC.**  
 2 Saddleback Cove / P.O. Box 1088  
 Travelers Rest, SC 29690

Model No.  
**B-3405**  
 Item No.

Travelers Rest, SC: 800-476-4103 • Simi Valley, CA: 800-423-0150 • Fax: 864-834-3518 • www.tsbrass.com

ITEM NO.	SALES NO.	DESCRIPTION
1	018594-45	3 Function Hand Shower, 1.5 GPM
2	018593-45	36" Slide Bar & Hand Shower Holder
3	018595-45	59" Hand Shower Hose
4	018596-45	Wall Outlet
5	018670-45	Valve Only Trim Kit
6	B-2404-PBV	PB Shower Rough-In Valve, B-3404-PBV
7	B-3404	PB Shower Valve Only w/ Trim Kit



**Product Specifications:**  
 Pressure Balance Shower Valve, 1/2" Sweat Connections, Wall Supply, 59" Hand Shower Hose, Slide Bar w/ Hand Shower Holder, & 1.5 GPM Hand Shower

**Product Compliance:**  
 ASME A112.18.1 / CSA B125.1  
 ASSE 1016 / ASME A112.1016 / CSA B125.16  
 NSF 61 Exempt (Non-Potable)  
 ANSI A117.1 (ADA)