



T&S BRASS AND BRONZE WORKS, INC.
 2 Saddleback Cove / P.O. Box 1088
 Travelers Rest, SC 29690

Model No.
B-3404

Item No.

Travelers Rest, SC: 800-476-4103 • Simi Valley, CA: 800-423-0150 • Fax: 864-834-3518 • www.tsbrass.com

This Space for Architect/Engineer Approval

Job Name _____ Date _____

Model Specified _____ Quantity _____

Customer/Wholesaler _____

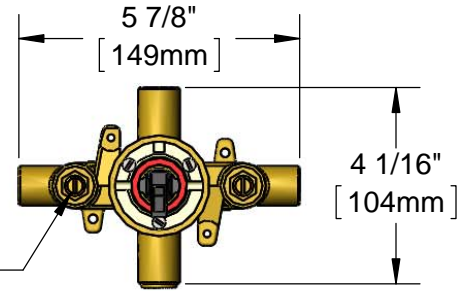
Contractor _____

Architect/Engineer _____

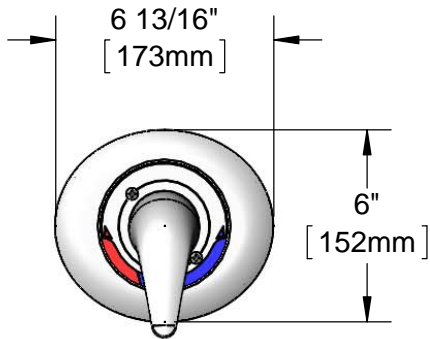


ADA Compliant

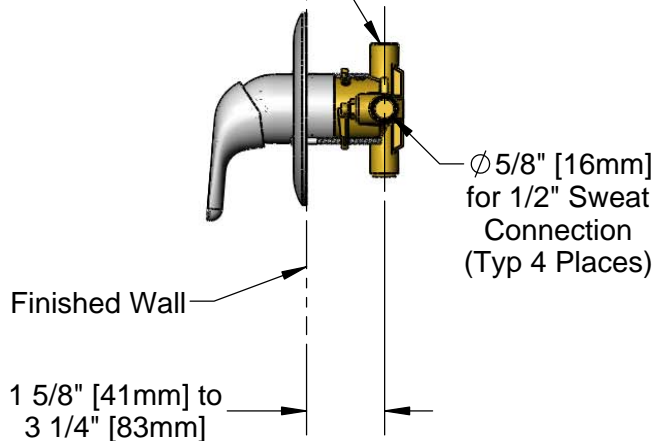
Integral
Screwdriver Stops



B-3404-PBV: Rough-In Shower Valve Detail
 (Scale 1:4)



B-3404-PBV
 Rough-In Pressure Balance
 Shower Valve w/ Volume
 Control & Temperature
 Limit Stop (Less Trim Kit)



Product Specifications:
 Pressure Balance Shower Valve (ASSE 1016) w/ Volume Control,
 Temperature Limit Stop, 1/2" Sweat Connections & Trim Kit
 (Cover Plate & Lever Handle)

Drawn DMH	Checked KJG	Approved JHB
Scale: 1:6		Date: 01/09/13



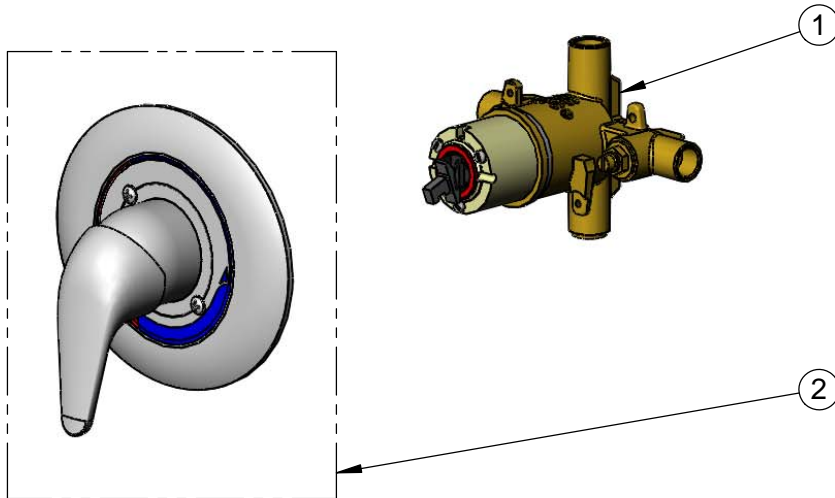
T&S BRASS AND BRONZE WORKS, INC.
 2 Saddleback Cove / P.O. Box 1088
 Travelers Rest, SC 29690

Model No.
B-3404

Item No.

Travelers Rest, SC: 800-476-4103 • Simi Valley, CA: 800-423-0150 • Fax: 864-834-3518 • www.tsbrass.com

ITEM NO.	SALES NO.	DESCRIPTION
1	B-3404-PBV	PB Shower Rough-In Valve
2	018670-45	Valve Only Trim Kit



Product Specifications:
 Pressure Balance Shower Valve (ASSE 1016) w/ Volume Control,
 Temperature Limit Stop, 1/2" Sweat Connections & Trim Kit
 (Cover Plate & Lever Handle)

Drawn DMH	Checked KJG	Approved JHB
Scale: NTS		Date: 01/09/13