



T&S BRASS AND BRONZE WORKS, INC.

2 Saddleback Cove / P.O. Box 1088
Travelers Rest, SC 29690

Model No.

B-3404-PBV

Item No.

Travelers Rest, SC: 800-476-4103 • Simi Valley, CA: 800-423-0150 • Fax: 864-834-3518 • www.tsbrass.com

This Space for Architect/Engineer Approval

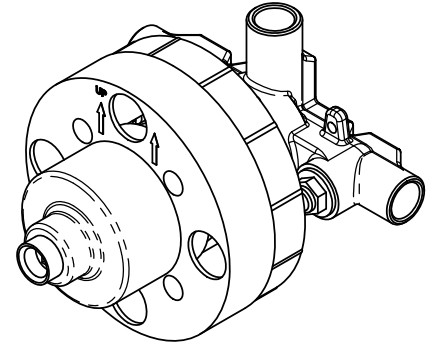
Job Name _____ Date _____

Model Specified _____ Quantity _____

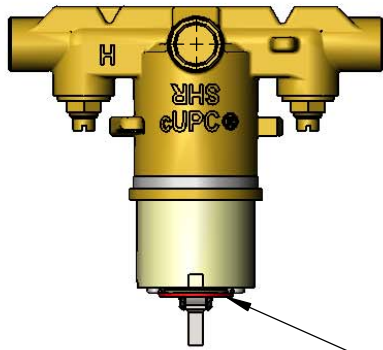
Customer/Wholesaler _____

Contractor _____

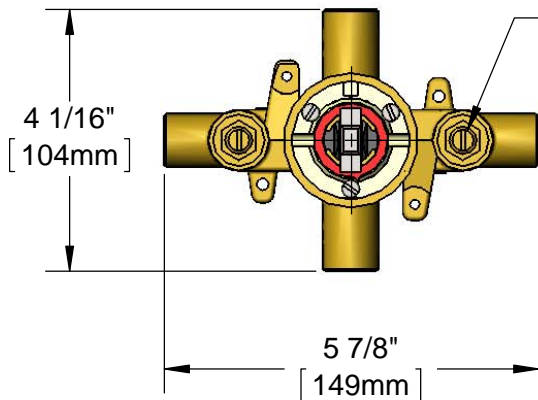
Architect/Engineer _____



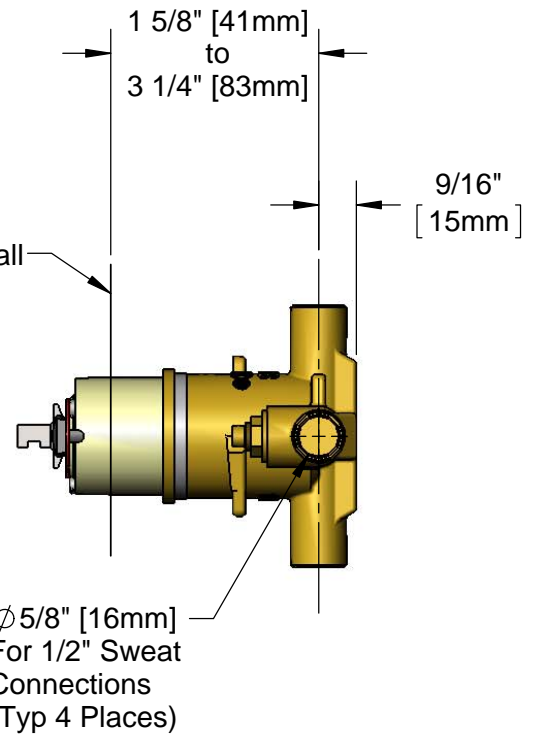
Shown Above w/ Plaster Guard



Pressure Balance Cartridge
w/ Volume Control &
Temperature Limit Stop



Integral Screwdriver
Stops



Finished Wall

Ø 5/8" [16mm]
For 1/2" Sweat
Connections
(Typ 4 Places)

Notes:

1. May Be Used w/ 1.5 GPM Showerheads
2. For B-3400, B-3401 Series Pre-Installation:
 - 018591-45: Bath / Shower Valve Trim Kit w/ 1.5 GPM Showerhead & Tub Spout
 - 018592-45: Shower Valve Trim Kit w/ 1.5 GPM Showerhead Only

Product Specifications:

Pressure Balance Shower Valve Only (ASSE 1016) w/
Volume Control, Temperature Limit Stop, 1/2" Sweat Connections

Drawn

DMH

Checked

KJG

Approved

JHB

Scale:

1:3

Date:

01/09/13