



T&S BRASS AND BRONZE WORKS, INC.

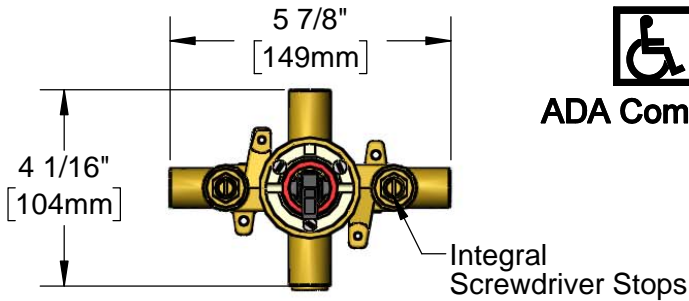
2 Saddleback Cove / P.O. Box 1088
Travelers Rest, SC 29690

Model No.

B-3401

Item No.

Travelers Rest, SC: 800-476-4103 • Simi Valley, CA: 800-423-0150 • Fax: 864-834-3518 • www.tsbrass.com



ADA Compliant

This Space for Architect/Engineer Approval

Job Name _____ Date _____

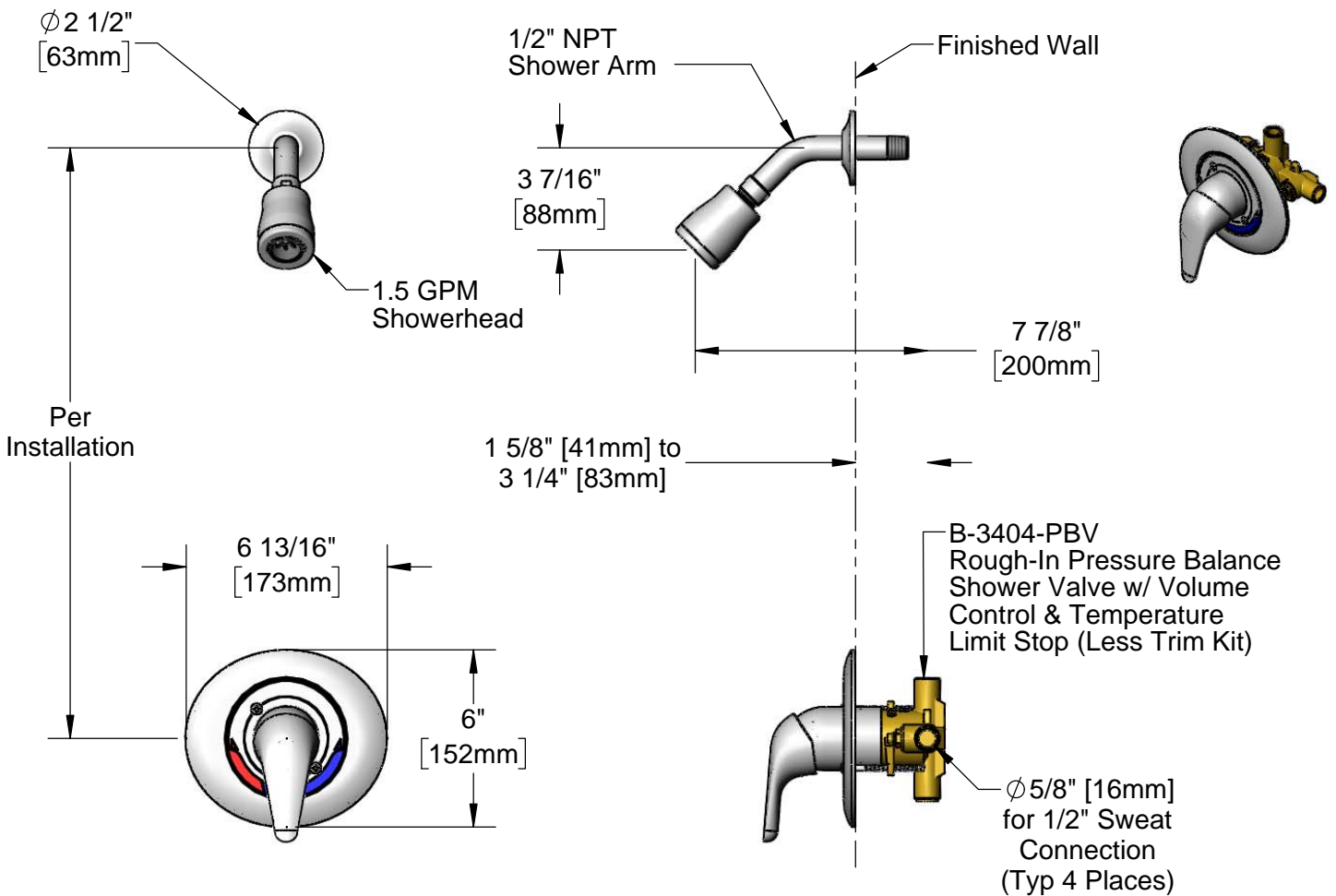
Model Specified _____ Quantity _____

Customer/Wholesaler _____

Contractor _____

Architect/Engineer _____

B-3404-PBV: Rough-In Shower Valve Detail
(Scale 1:4)



Product Specifications:
Pressure Balance Shower Valve w/ Volume Control, Temperature Limit Stop, 1/2" Sweat Connections & Shower Trim Kit (1.5 GPM Showerhead, Shower Arm, Escutcheon, Cover Plate & Lever Handle)

Product Compliance:
ASSE 1016 / ASME A112.1016 / CSA B125.16
ASME A112.18.1 / CSA B125.1
ANSI A117.1 (ADA)
NSF 61 Exempt (Non-Potable)



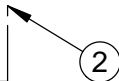
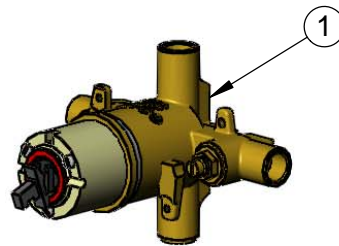
T&S BRASS AND BRONZE WORKS, INC.
 2 Saddleback Cove / P.O. Box 1088
 Travelers Rest, SC 29690

Model No.
B-3401

Item No.

Travelers Rest, SC: 800-476-4103 • Simi Valley, CA: 800-423-0150 • Fax: 864-834-3518 • www.tsbrass.com

ITEM NO.	SALES NO.	DESCRIPTION
1	018592-45	PB Shower Rough-In Valve
2	018592-45	Shower Trim Kit



Product Specifications:
 Pressure Balance Shower Valve w/ Volume Control,
 Temperature Limit Stop, 1/2" Sweat Connections & Shower Trim Kit
 (1.5 GPM Showerhead, Shower Arm, Escutcheon, Cover Plate &
 Lever Handle)

Product Compliance:
 ASSE 1016 / ASME A112.1016 / CSA B125.16
 ASME A112.18.1 / CSA B125.1
 ANSI A117.1 (ADA)
 NSF 61 Exempt (Non-Potable)