



**T&S BRASS AND BRONZE WORKS, INC.**  
 2 Saddleback Cove / P.O. Box 1088  
 Travelers Rest, SC 29690

Model No.  
**B-3400**

Item No.

Travelers Rest, SC: 800-476-4103 • Simi Valley, CA: 800-423-0150 • Fax: 864-834-3518 • www.tsbrass.com

This Space for Architect/Engineer Approval

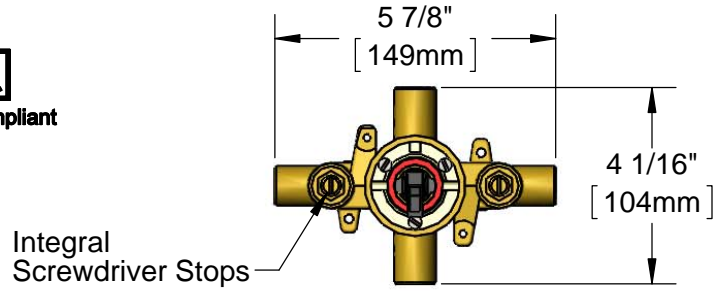
Job Name \_\_\_\_\_ Date \_\_\_\_\_

Model Specified \_\_\_\_\_ Quantity \_\_\_\_\_

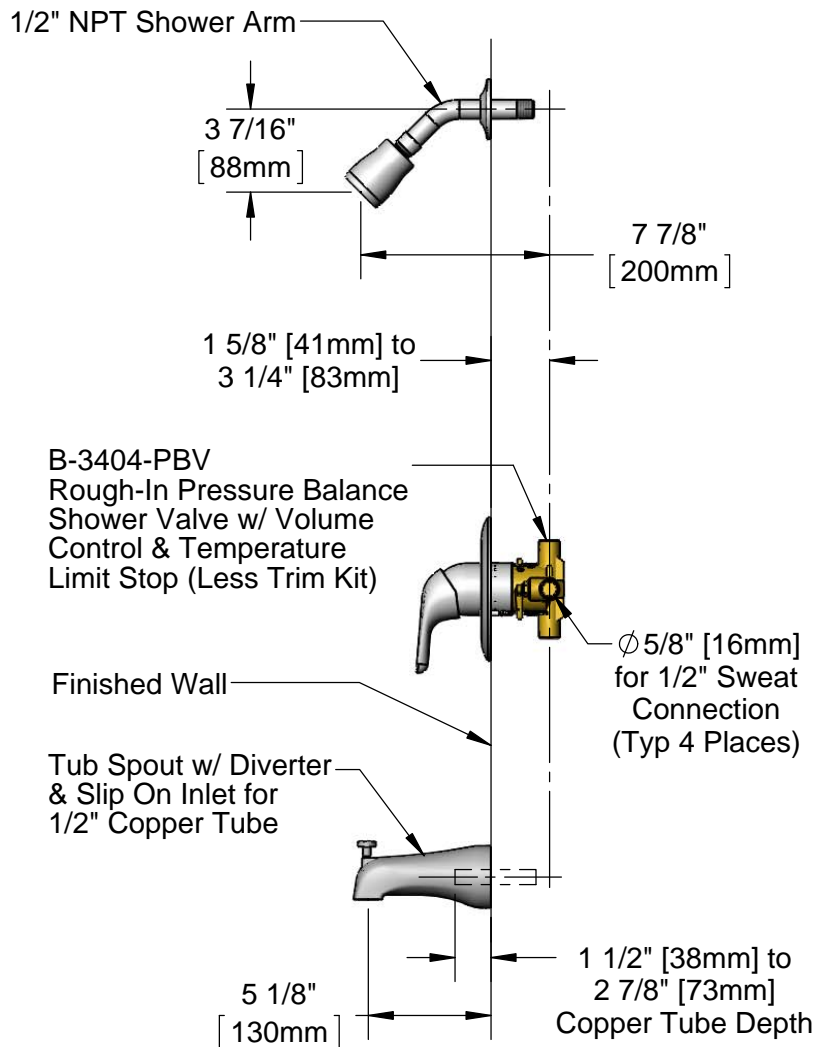
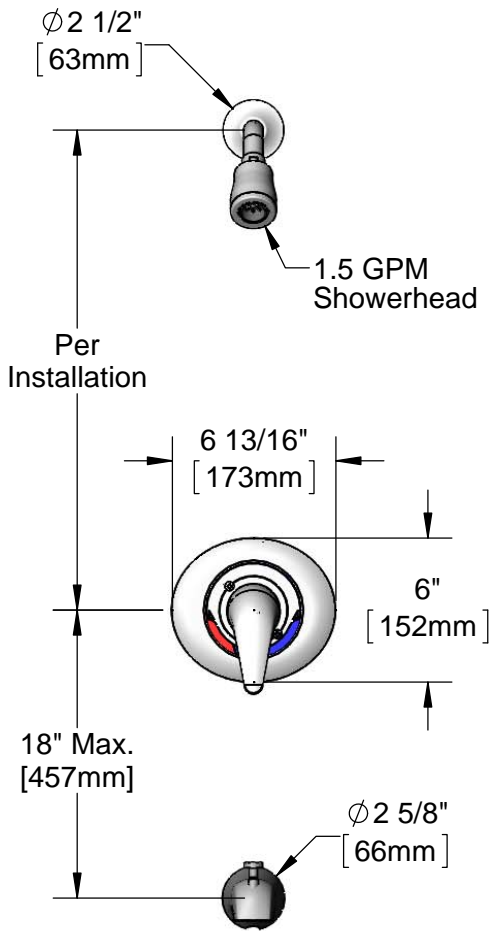
Customer/Wholesaler \_\_\_\_\_

Contractor \_\_\_\_\_

Architect/Engineer \_\_\_\_\_



**B-3404-PBV: Rough-In Shower Valve Detail**  
 (Scale 1:4)



**Product Specifications:**  
 Pressure Balance Shower Valve w/ Volume Control,  
 Temperature Limit Stop, 1/2" Sweat Connections & Bath/Shower  
 Trim Kit (1.5 GPM Showerhead, Shower Arm, Escutcheon,  
 Cover Plate, Lever Handle & Tub Spout)

**Product Compliance:**  
 ASSE 1016 / ASME A112.1016 / CSA B125.16  
 ASME A112.18.1 / CSA B125.1  
 ANSI A117.1 (ADA)  
 NSF 61 Exempt (Non-Potable)



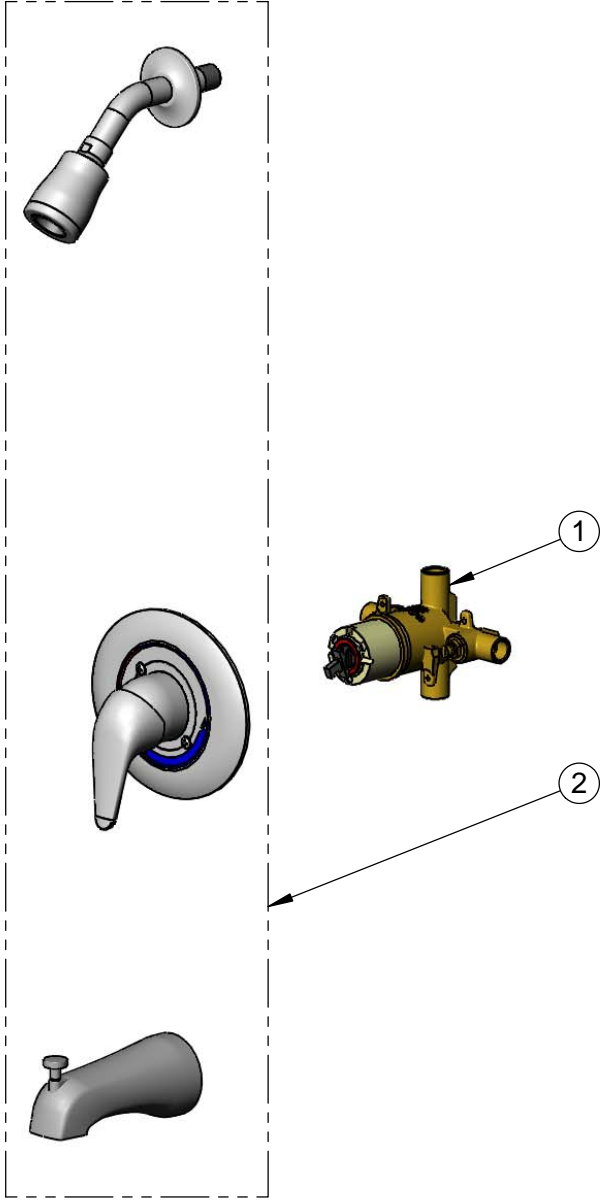
**T&S BRASS AND BRONZE WORKS, INC.**  
 2 Saddleback Cove / P.O. Box 1088  
 Travelers Rest, SC 29690

Model No.  
**B-3400**

Item No.

Travelers Rest, SC: 800-476-4103 • Simi Valley, CA: 800-423-0150 • Fax: 864-834-3518 • www.tsbrass.com

ITEM NO.	SALES NO.	DESCRIPTION
1	B-3404-PBV	PB Shower Rough-In Valve
2	018591-45	Bath / Shower Trim Kit



Product Specifications:  
 Pressure Balance Shower Valve w/ Volume Control,  
 Temperature Limit Stop, 1/2" Sweat Connections & Bath/Shower  
 Trim Kit (1.5 GPM Showerhead, Shower Arm, Escutcheon,  
 Cover Plate, Lever Handle & Tub Spout)

Product Compliance:  
 ASSE 1016 / ASME A112.1016 / CSA B125.16  
 ASME A112.18.1 / CSA B125.1  
 ANSI A117.1 (ADA)  
 NSF 61 Exempt (Non-Potable)