



T&S BRASS AND BRONZE WORKS, INC.

2 Saddleback Cove / P.O. Box 1088
Travelers Rest, SC 29690

Model No.

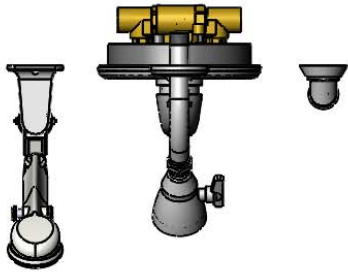
B-3306-VB

Item No.

Travelers Rest, SC: 800-476-4103 • Simi Valley, CA: 800-423-0150 • Fax: 864-834-3518 • www.tsbrass.com



ADA Compliant



This Space for Architect/Engineer Approval

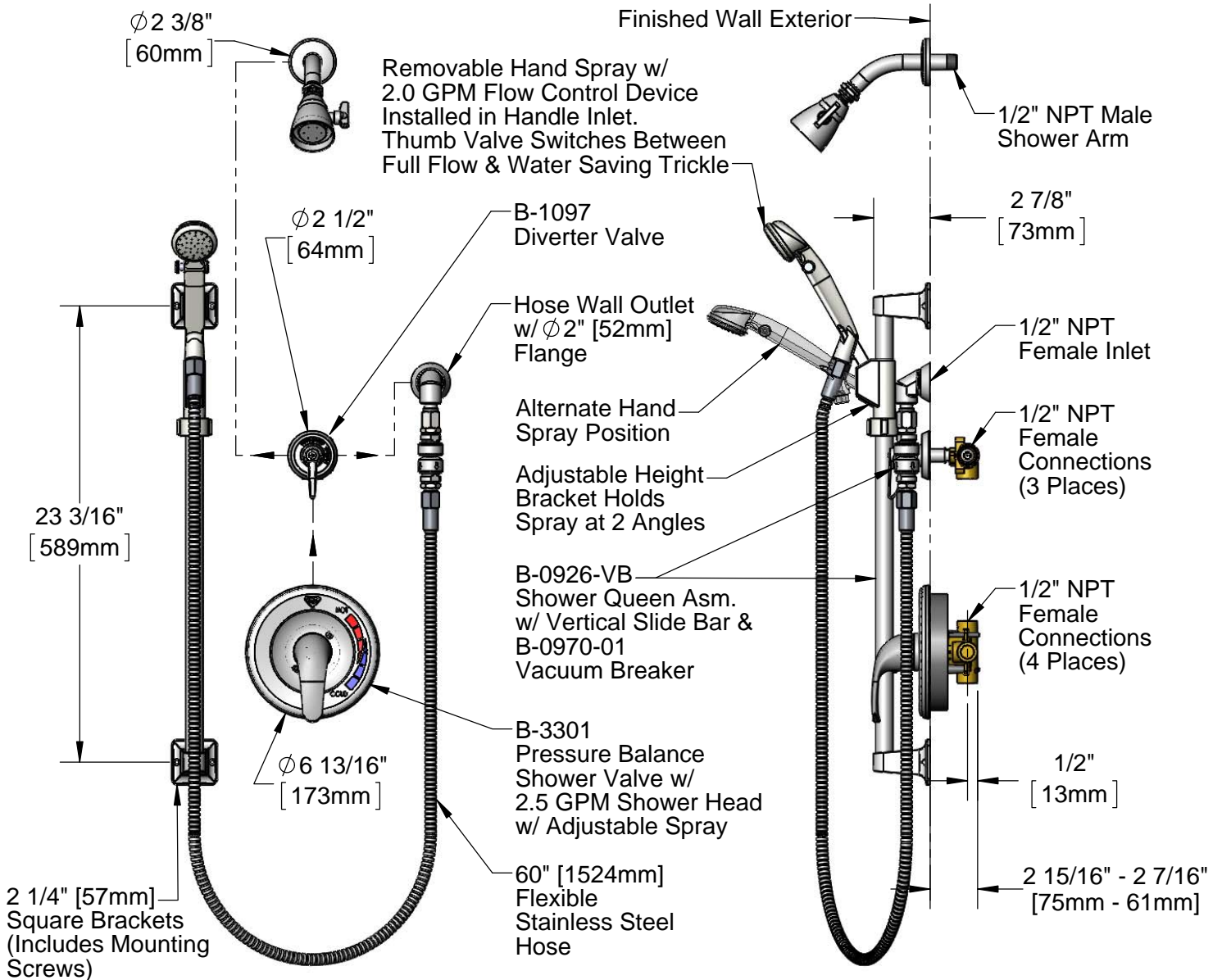
Job Name _____ Date _____

Model Specified _____ Quantity _____

Customer/Wholesaler _____

Contractor _____

Architect/Engineer _____



Product Specifications:
 Pressure Balance Shower Valve w/ 1/2" NPT Female Connections, 2.5 GPM Shower Head, Diverter Valve, Shower Queen Hand Held Spray Assembly w/ Vertical Slide Bar & Vacuum Breaker

Product Compliance:
 ASSE 1016 / ASME A112.1016 / CSA B125.16
 ASME A112.18.1 / CSA B125.1
 CSA B64.8
 ANSI A117.1 (ADA)
 NSF 61 Exempt (Non-Potable)



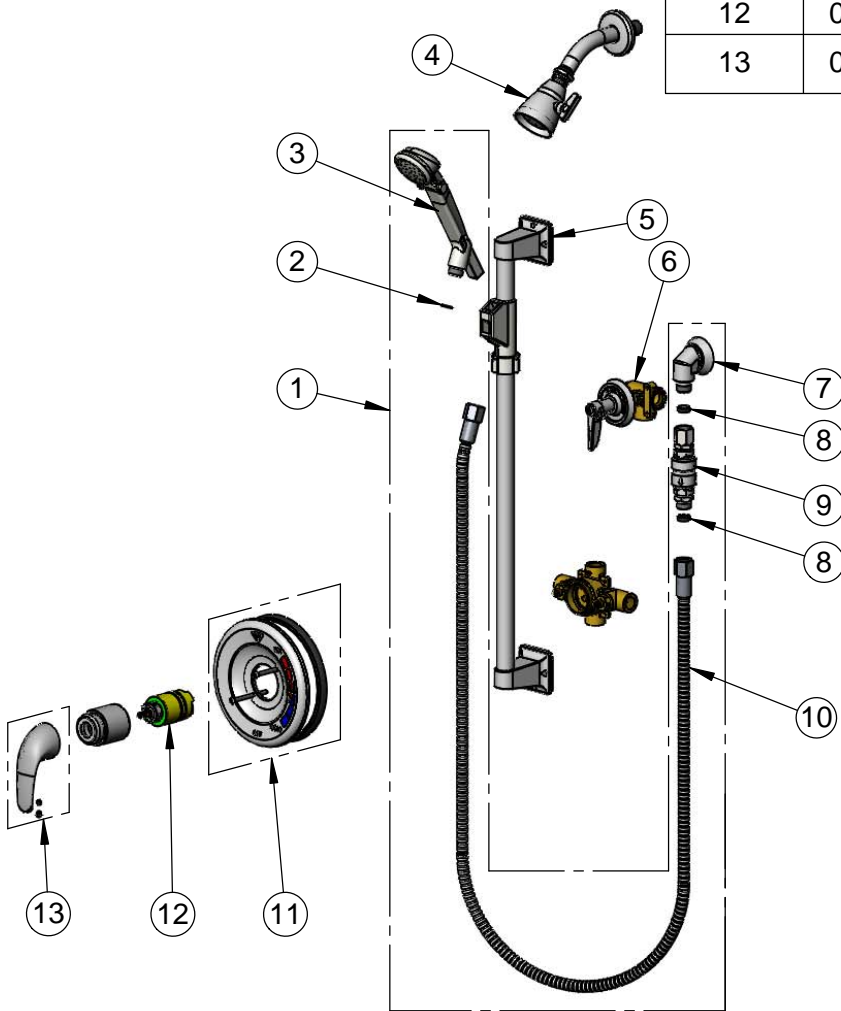
T&S BRASS AND BRONZE WORKS, INC.
 2 Saddleback Cove / P.O. Box 1088
 Travelers Rest, SC 29690

Model No.
B-3306-VB

Item No.

Travelers Rest, SC: 800-476-4103 • Simi Valley, CA: 800-423-0150 • Fax: 864-834-3518 • www.tsbrass.com

ITEM NO.	SALES NO.	DESCRIPTION
1	B-0926-VB	Shower Queen w/ Vacuum Breaker and Flexible Stainless Steel Hose
2	009037-45	Face Seal
3	SQ-0095	Hand Spray, Shower Queen
4	B-1090	Shower Head w/ Arm & Escutcheon
5	B-0940	Vertical Slide Bar w/ Adjustable Height Bracket
6	017443-45	B-1097-Diverter Valve
7	SQ-0094	1/2" Wall Outlet
8	010476-45	#27 Washer
9	B-0970-01	Vacuum Breaker
10	013E-60H	60" Flexible Stainless Steel Hose
11	017444-45	PBV Cover Plate Assembly
12	017441-45	PBV Cartridge
13	017443-45	Handle w/ Set Screw & Temperature Index



Product Specifications:

Pressure Balance Shower Valve w/ 1/2" NPT Female Connections, 2.5 GPM Shower Head, Diverter Valve, Shower Queen Hand Held Spray Assembly w/ Vertical Slide Bar & Vacuum Breaker

Product Compliance:

ASSE 1016 / ASME A112.1016 / CSA B125.16
 ASME A112.18.1 / CSA B125.1
 CSA B64.8
 ANSI A117.1 (ADA)
 NSF 61 Exempt (Non-Potable)