



T&S BRASS AND BRONZE WORKS, INC.

2 Saddleback Cove / P.O. Box 1088
Travelers Rest, SC 29690

Model No.

B-3304-PBV

Item No.

Travelers Rest, SC: 800-476-4103 • Simi Valley, CA: 800-423-0150 • Fax: 864-834-3518 • www.tsbrass.com



This Space for Architect/Engineer Approval

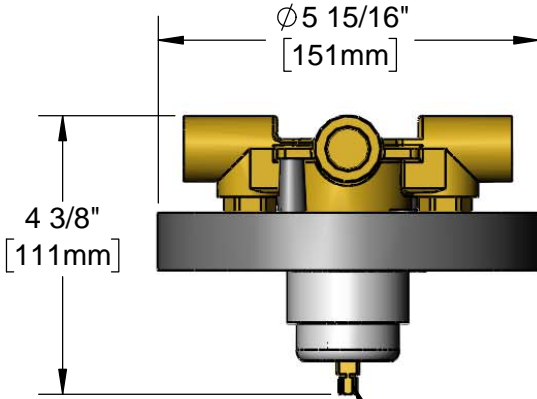
Job Name _____ Date _____

Model Specified _____ Quantity _____

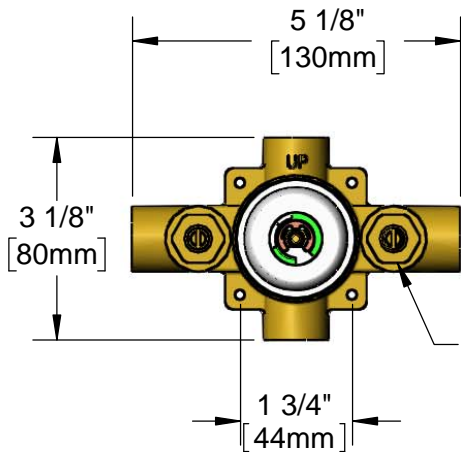
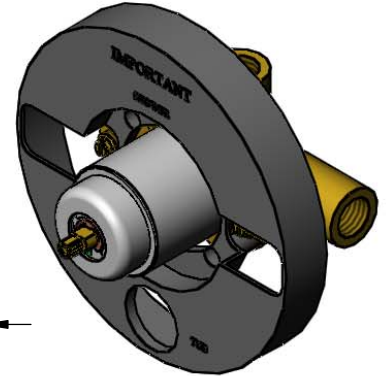
Customer/Wholesaler _____

Contractor _____

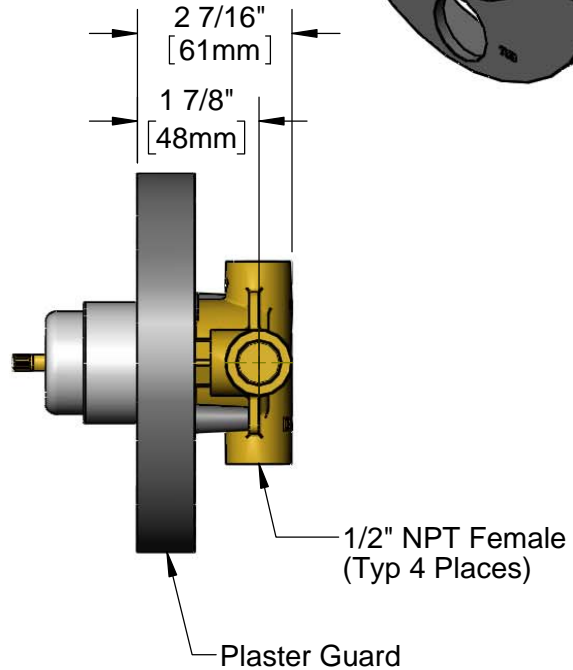
Architect/Engineer _____



017441-45
Pressure Balance
Cartridge Assembly
w/ Temperature Limit Stop



Integral
Screwdriver
Stops



- Precautionary Note: Shower valve should not be utilized with low-flow shower heads
- For B-3300, B-3301 and B-3304 Pre-Installation:
017443-45 - Handle Assembly,
017444-45 - Cover Plate Assembly,
B-1090 - Showerhead w/ Arm & Escutcheon
017439-45 - Tub Spout w/ Diverter
Sold Separately

Product Specifications:
Pressure Balance Mixing Valve Only, 1/2" NPT Female Connections

Product Compliance:
ASSE 1016 / ASME A112.1016 / CSA B125.16
ASME A112.18.1 / CSA B125.1
ANSI A117.1 (ADA)
NSF 61 Exempt (Non-Potable)