



T&S BRASS AND BRONZE WORKS, INC.

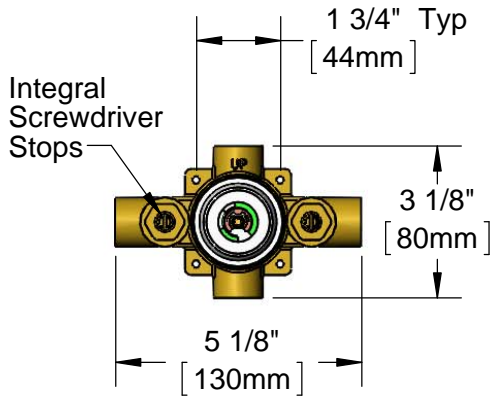
2 Saddleback Cove / P.O. Box 1088
Travelers Rest, SC 29690

Model No.

B-3301

Item No.

Travelers Rest, SC: 800-476-4103 • Simi Valley, CA: 800-423-0150 • Fax: 864-834-3518 • www.tsbrass.com



Mixing Valve Detail (1:4)



ADA Compliant

This Space for Architect/Engineer Approval

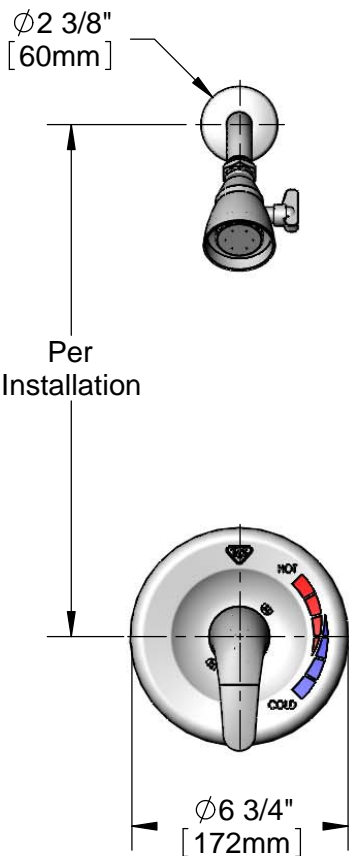
Job Name _____ Date _____

Model Specified _____ Quantity _____

Customer/Wholesaler _____

Contractor _____

Architect/Engineer _____



2.5 GPM Shower Head w/ Adjustable Spray

3 3/4"
[96mm]

8 7/16"
[215mm]

Finished Wall Exterior

1/2" Male NPT Shower Arm

Pressure Balance Mixing Valve w/ Adjustable Temperature Limit Stop

1/2"
[13mm]

1/2" NPT Female (Typ 4 Places)

2 15/16" - 2 7/16"
[75mm - 61mm]

Product Specifications:

Pressure Balance Shower Valve w/ Adjustable Temperature Limit Stop, Cover Plate Assembly, 2.5 GPM Shower Head, Shower Arm & Escutcheon, 1/2" NPT Female Inlets & Outlets

Product Compliance:

ASSE 1016 / ASME A112.1016 / CSA B125.16
ASME A112.18.1 / CSA B125.1
ANSI A117.1 (ADA)
NSF 61 Exempt (Non-Potable)



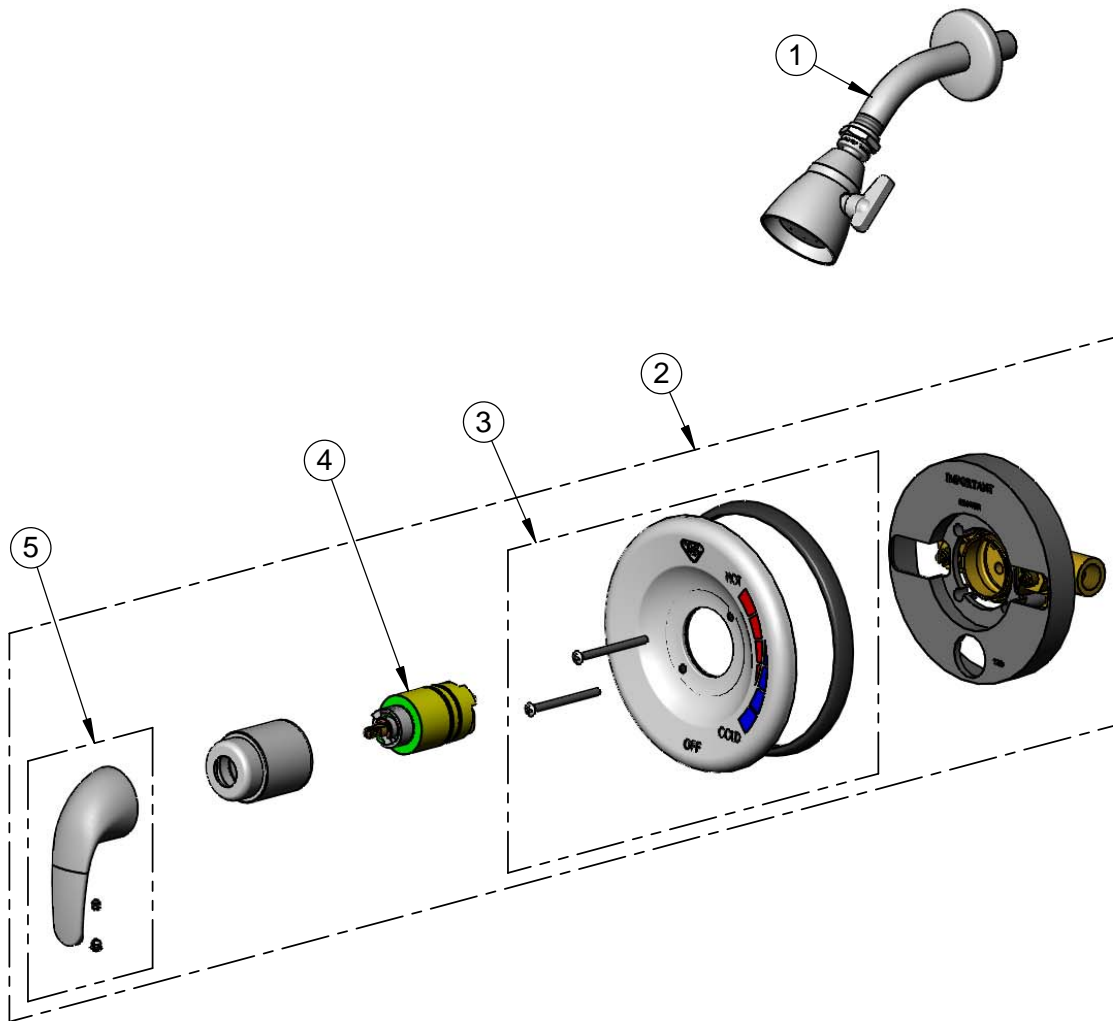
T&S BRASS AND BRONZE WORKS, INC.
 2 Saddleback Cove / P.O. Box 1088
 Travelers Rest, SC 29690

Model No.
B-3301

Item No.

Travelers Rest, SC: 800-476-4103 • Simi Valley, CA: 800-423-0150 • Fax: 864-834-3518 • www.tsbrass.com

ITEM NO.	SALES NO.	DESCRIPTION
1	B-1090	Shower Head w/ Arm & Escutcheon
2	B-3304	Pressure Balance Shower Assembly
3	017444-45	PBV Cover Plate Assembly
4	017441-45	PBV Cartridge Assembly
5	017443-45	Handle w/ Set Screw & Temp. Index



Product Specifications:

Pressure Balance Shower Valve w/ Adjustable Temperature
 Limit Stop, Cover Plate Assembly, 2.5 GPM Shower Head, Shower Arm &
 Escutcheon, 1/2" NPT Female Inlets & Outlets

Product Compliance:

ASSE 1016 / ASME A112.1016 / CSA B125.16
 ASME A112.18.1 / CSA B125.1
 ANSI A117.1 (ADA)
 NSF 61 Exempt (Non-Potable)