



T&S BRASS AND BRONZE WORKS, INC.

2 Saddleback Cove / P.O. Box 1088
Travelers Rest, SC 29690

Model No.

B-3300

Item No.

Travelers Rest, SC: 800-476-4103 • Simi Valley, CA: 800-423-0150 • Fax: 864-834-3518 • www.tsbrass.com

This Space for Architect/Engineer Approval

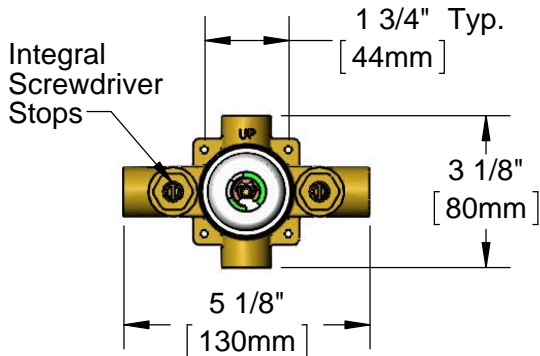
Job Name _____ Date _____

Model Specified _____ Quantity _____

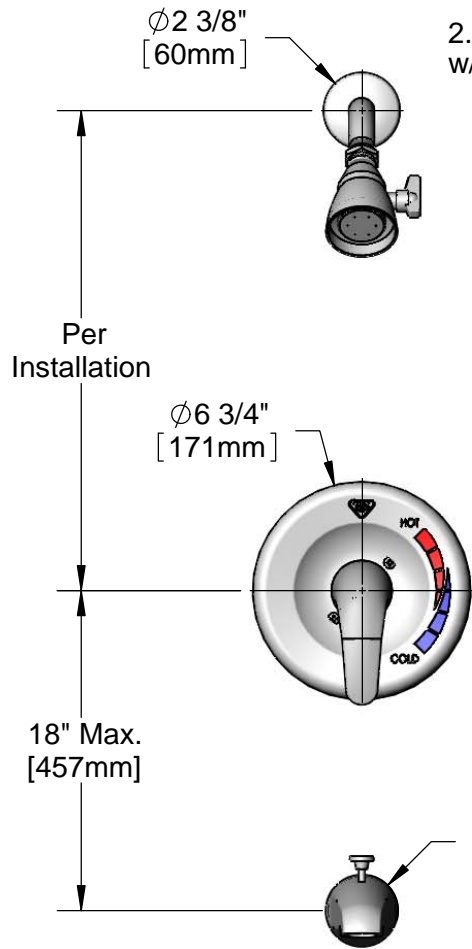
Customer/Wholesaler _____

Contractor _____

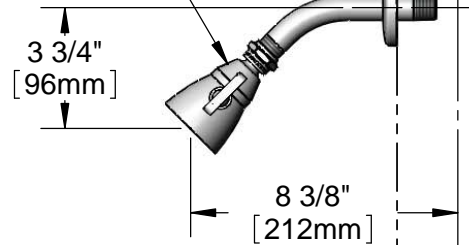
Architect/Engineer _____



Mixing Valve Detail (1:4)



2.5 GPM Shower Head w/ Adjustable Spray



Finished Wall Exterior

1/2" Male NPT Shower Arm

Pressure Balance Mixing Valve w/ Adjustable Temperature Limit Stop

1/2" NPT Female (Typ 4 Places)

2 15/16" - 2 7/16" [75mm - 61mm]

1/2" [13mm]

Tub Spout w/ Diverter, 1/2" NPT Female Inlet

4 7/16" [113mm]

Product Specifications:

Pressure Balance Shower Valve (ASSE 1016) w/ Adjustable Temperature Limit Stop, Cover Plate Assembly, 1/2" NPT Inlets & Outlets, 2.5 GPM Shower Head w/ Shower Arm & Escutcheon & Tub Spout w/ Diverter

Product Compliance:

ASSE 1016 / ASME A112.1016 / CSA B125.16
ASME A112.18.1 / CSA B125.1
NSF 61 Exempt (Non-Potable)



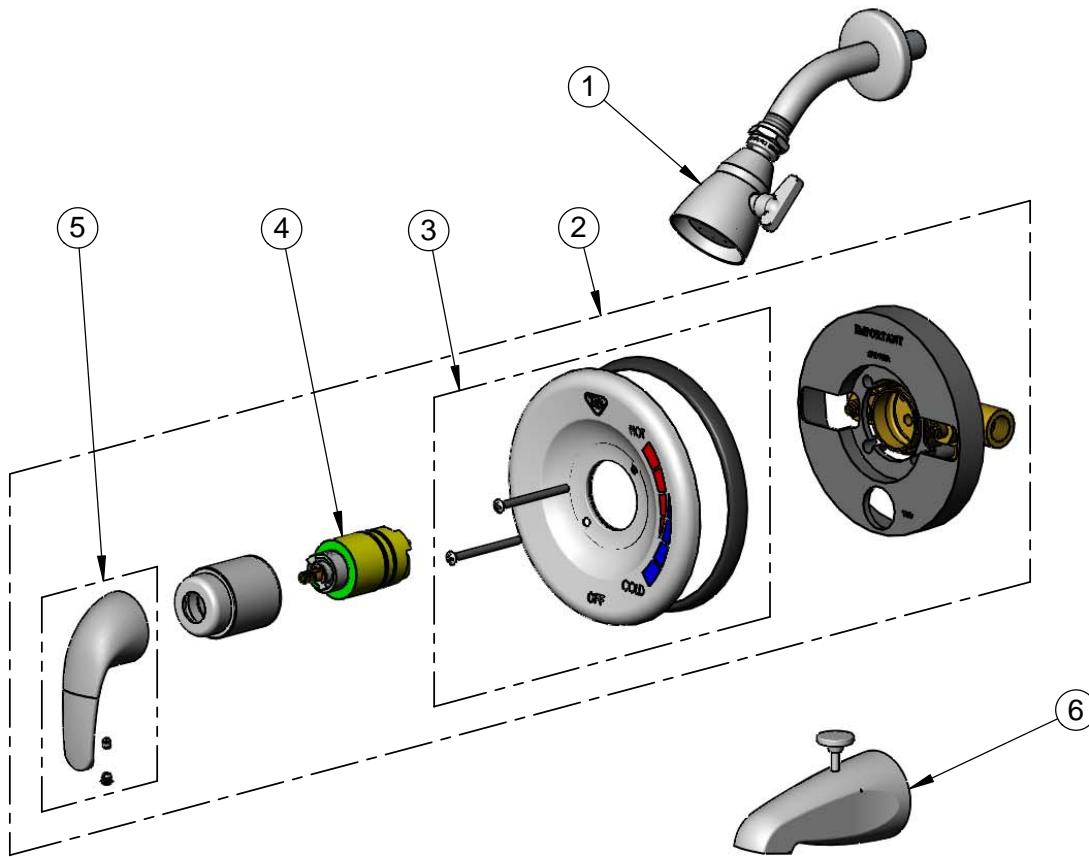
T&S BRASS AND BRONZE WORKS, INC.
 2 Saddleback Cove / P.O. Box 1088
 Travelers Rest, SC 29690

Model No.
B-3300

Item No.

Travelers Rest, SC: 800-476-4103 • Simi Valley, CA: 800-423-0150 • Fax: 864-834-3518 • www.tsbrass.com

ITEM NO.	SALES NO.	DESCRIPTION
1	B-1090	Shower Head w/ Arm & Escutcheon
2	B-3304	Pressure Balance Shower Valve
3	017444-45	PBV Cover Plate Assembly
4	017441-45	PBV Cartridge Assembly
5	017443-45	Handle w/ Set Screw & Temp. Index
6	017439-45	Tub Spout w/ Diverter



Product Specifications:

Pressure Balance Shower Valve (ASSE 1016) w/ Adjustable Temperature Limit Stop, Cover Plate Assembly, 1/2" NPT Inlets & Outlets, 2.5 GPM Shower Head w/ Shower Arm & Escutcheon & Tub Spout w/ Diverter

Product Compliance:

ASSE 1016 / ASME A112.1016 / CSA B125.16
 ASME A112.18.1 / CSA B125.1
 NSF 61 Exempt (Non-Potable)