



T&S BRASS AND BRONZE WORKS, INC.

2 Saddleback Cove / P.O. Box 1088
Travelers Rest, SC 29690

Model No.

B-3204

Item No.

Travelers Rest, SC: 800-476-4103 • Simi Valley, CA: 800-423-0150 • Fax: 864-834-3518 • www.tsbrass.com



ADA Compliant

This Space for Architect/Engineer Approval

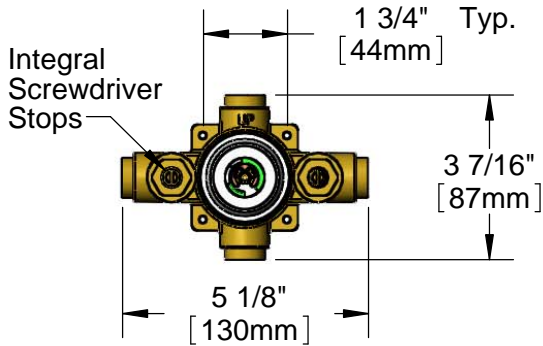
Job Name _____ Date _____

Model Specified _____ Quantity _____

Customer/Wholesaler _____

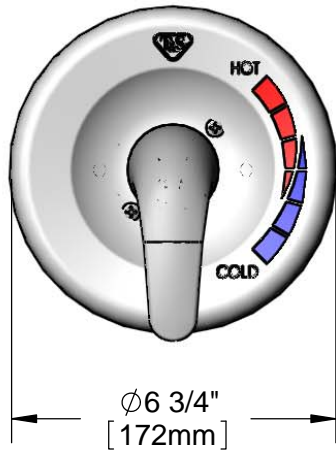
Contractor _____

Architect/Engineer _____



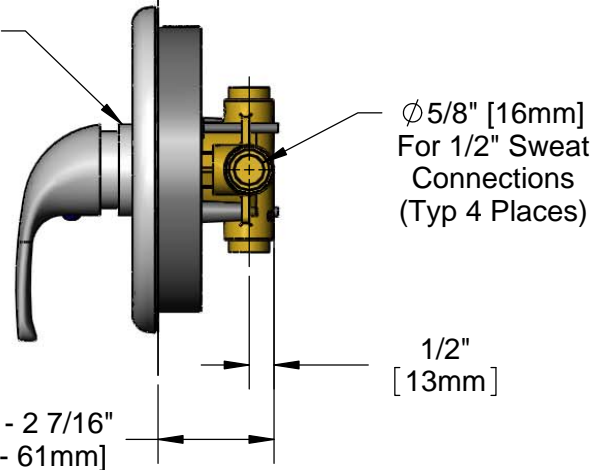
Mixing Valve Detail

Precautionary Note:
Shower valve should not be utilized with low-flow shower heads.



Finished Wall Exterior

Pressure Balance Mixing Valve w/ Adjustable Temperature Limit Stop



Product Specifications:

Pressure Balance Shower Valve w/ Adjustable Temperature Limit Stop & Cover Plate Assembly, 1/2" Sweat Connections

Product Compliance:

ASSE 1016 / ASME A112.1016 / CSA B125.16
ASME A112.18.1 / CSA B125.1
ANSI A117.1 (ADA)
NSF 61 Exempt (Non-Potable)



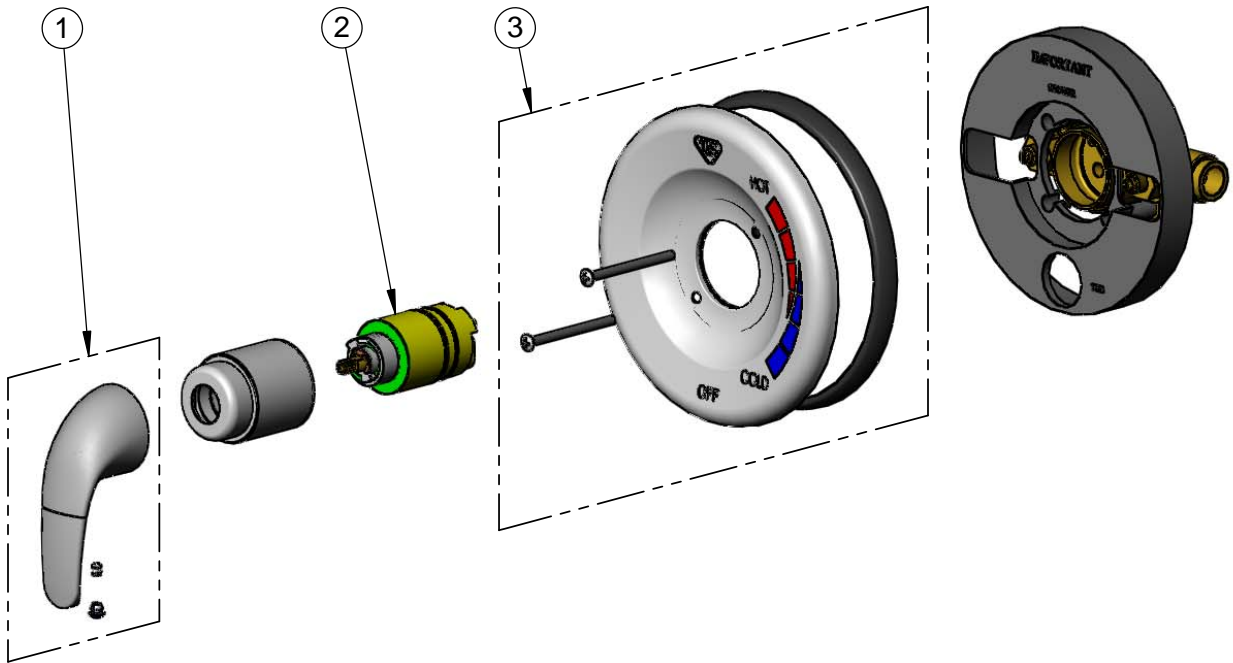
T&S BRASS AND BRONZE WORKS, INC.
 2 Saddleback Cove / P.O. Box 1088
 Travelers Rest, SC 29690

Model No.
B-3204

Item No.

Travelers Rest, SC: 800-476-4103 • Simi Valley, CA: 800-423-0150 • Fax: 864-834-3518 • www.tsbrass.com

ITEM NO.	SALES NO.	DESCRIPTION
1	017443-45	Handle w/ Set Screw & Temp. Index
2	017441-45	PBV Cartridge Assembly
3	017444-45	PBV Cover Plate Assembly



Product Specifications:
 Pressure Balance Shower Valve w/ Adjustable Temperature Limit Stop &
 Cover Plate Assembly, 1/2" Sweat Connections

Product Compliance:
 ASSE 1016 / ASME A112.1016 / CSA B125.16
 ASME A112.18.1 / CSA B125.1
 ANSI A117.1 (ADA)
 NSF 61 Exempt (Non-Potable)