



T&S BRASS AND BRONZE WORKS, INC.
 2 Saddleback Cove / P.O. Box 1088
 Travelers Rest, SC 29690

Model No.
B-3204-EXT

Item No.

Travelers Rest, SC: 800-476-4103 • Simi Valley, CA: 800-423-0150 • Fax: 864-834-3518 • www.tsbrass.com

This Space for Architect/Engineer Approval

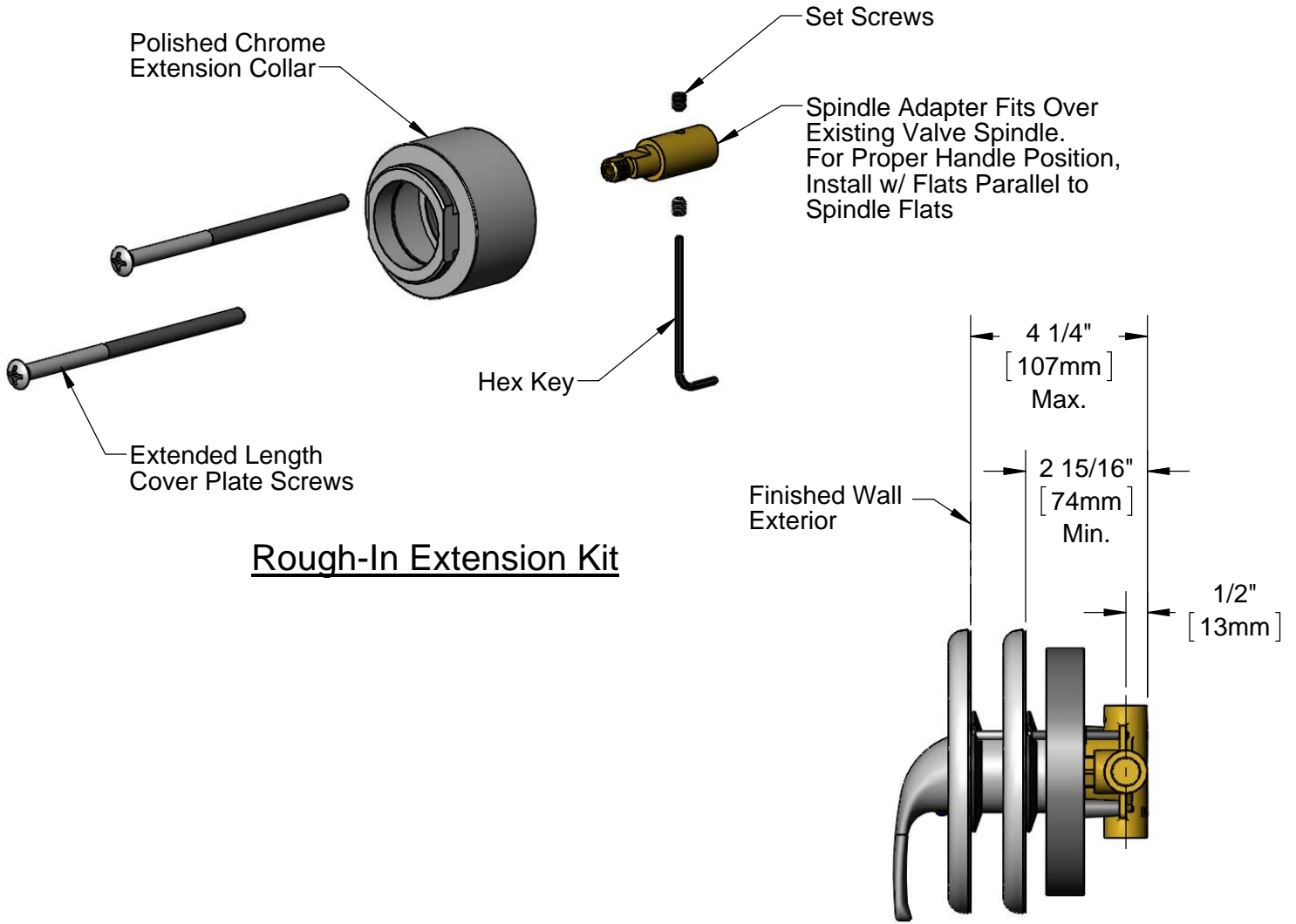
Job Name _____ Date _____

Model Specified _____ Quantity _____

Customer/Wholesaler _____

Contractor _____

Architect/Engineer _____



Rough-In Extension Kit

B-3204 or B-3304
 Pressure Balance Shower Valve
 Shown for Reference (Not Included)

Product Specifications:
 Pressure Balance Shower Valve Rough-In Extension Kit
 (for B-3200 & B-3300 Series)

Product Compliance: