





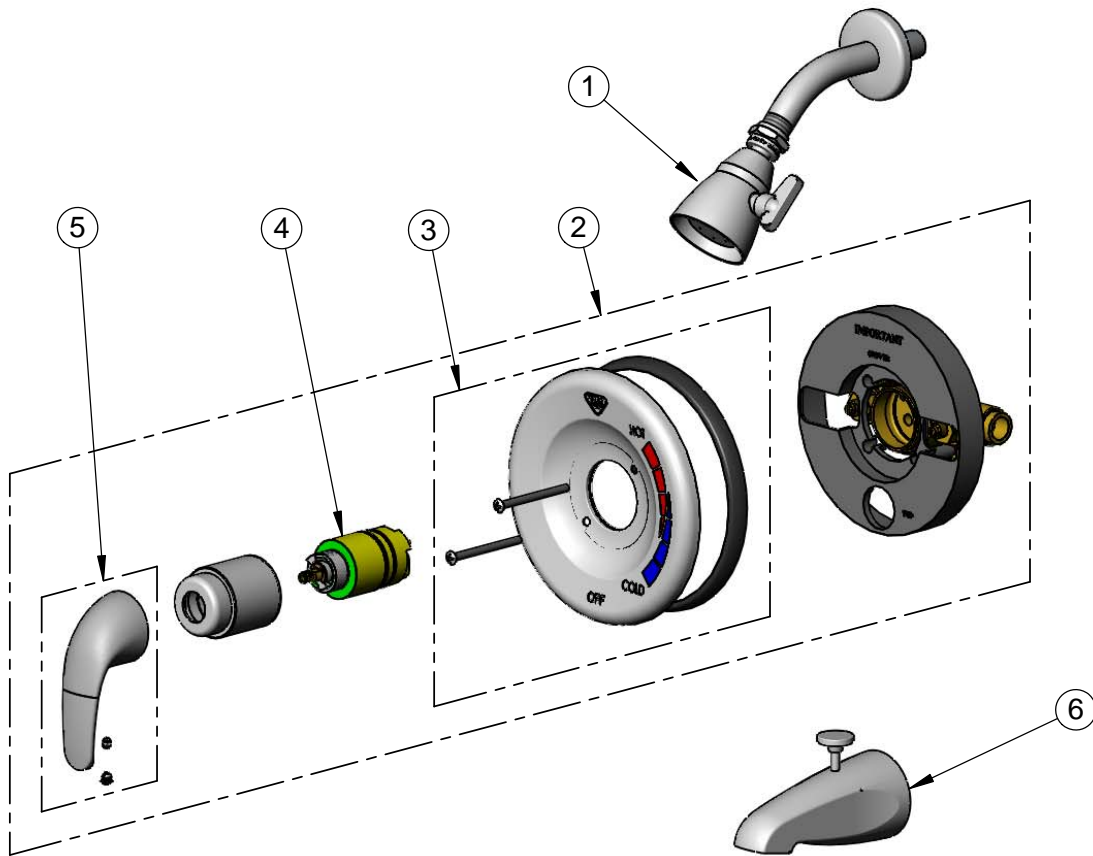
**T&S BRASS AND BRONZE WORKS, INC.**  
 2 Saddleback Cove / P.O. Box 1088  
 Travelers Rest, SC 29690

Model No.  
**B-3200**

Item No.

Travelers Rest, SC: 800-476-4103 • Simi Valley, CA: 800-423-0150 • Fax: 864-834-3518 • www.tsbrass.com

ITEM NO.	SALES NO.	DESCRIPTION
1	B-1090	Shower Head w/ Arm & Escutcheon
2	B-3204	Pressure Balance Shower Valve
3	017444-45	PBV Cover Plate Assembly
4	017441-45	PBV Cartridge Assembly
5	017443-45	Handle w/ Set Screw & Temp. Index
6	017439-45	Tab Spout w/ Diverter



**Product Specifications:**

Pressure Balance Shower Valve (ASSE 1016) w/ Adjustable Temperature Limit Stop, Cover Plate Assembly & 1/2" Sweat Connections; 2.5 GPM Shower Head w/ Shower Arm & Escutcheon; & Tub Spout w/ Diverter

**Product Compliance:**

ASSE 1016 / ASME A112.1016 / CSA B125.16  
 ASME A112.18.1 / CSA B125.1  
 NSF 61 Exempt (Non-Potable)