



T&S BRASS AND BRONZE WORKS, INC.

2 Saddleback Cove / P.O. Box 1088
Travelers Rest, SC 29690

Model No.

B-2992-WH4

Item No.

Travelers Rest, SC: 800-476-4103 • Simi Valley, CA: 800-423-0150 • Fax: 864-834-3518 • www.tsbrass.com



ADA Compliant

This Space for Architect/Engineer Approval

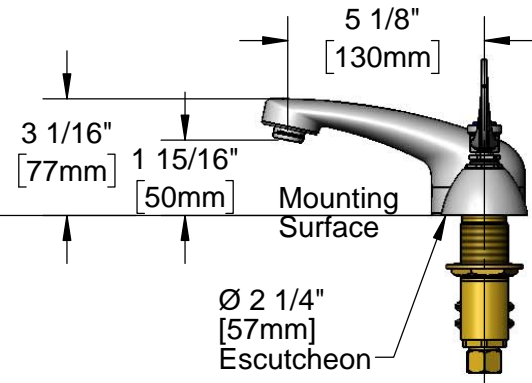
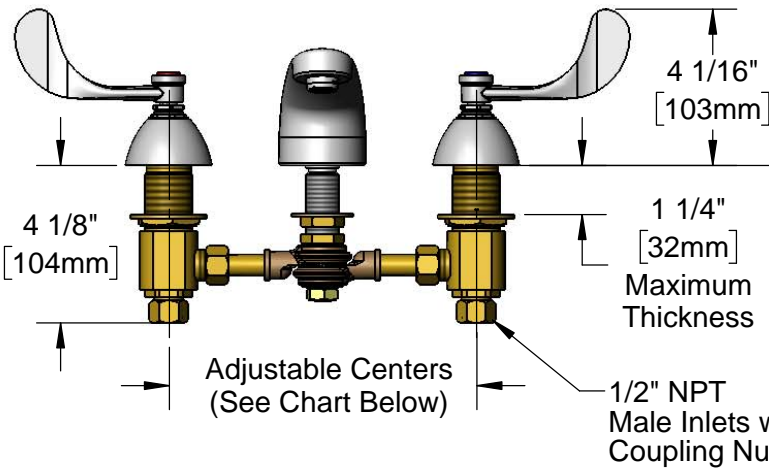
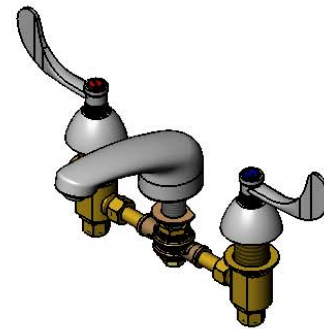
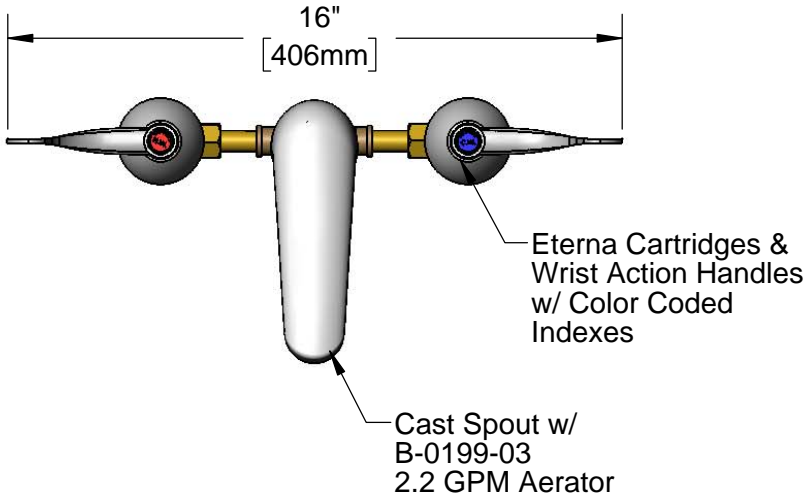
Job Name _____ Date _____

Model Specified _____ Quantity _____

Customer/Wholesaler _____

Contractor _____

Architect/Engineer _____



Hot & Cold Center Sections Can be at Angle		Then Faucet Will Fit "X" with Standard 1/4" NPT Cross Pipes Furnished
Hot	Spout	
	Cold	
if "Y" is		
1/2"		8"
1"		7 3/4"
1 1/2"		7 3/8"
2"		7"

Product Specifications:

8" Deck Mount Mixing Faucet, Eterna Cartridges, Wrist Action Handles, Cast Spout w/ 2.2 GPM Aerator & 1/2" NPT Male Inlets w/ Coupling Nuts

Product Compliance:

ASME A112.18.1 / CSA B125.1
NSF 61 - Section 9
NSF 372 (Low Lead Content)
ANSI A117.1 (ADA)



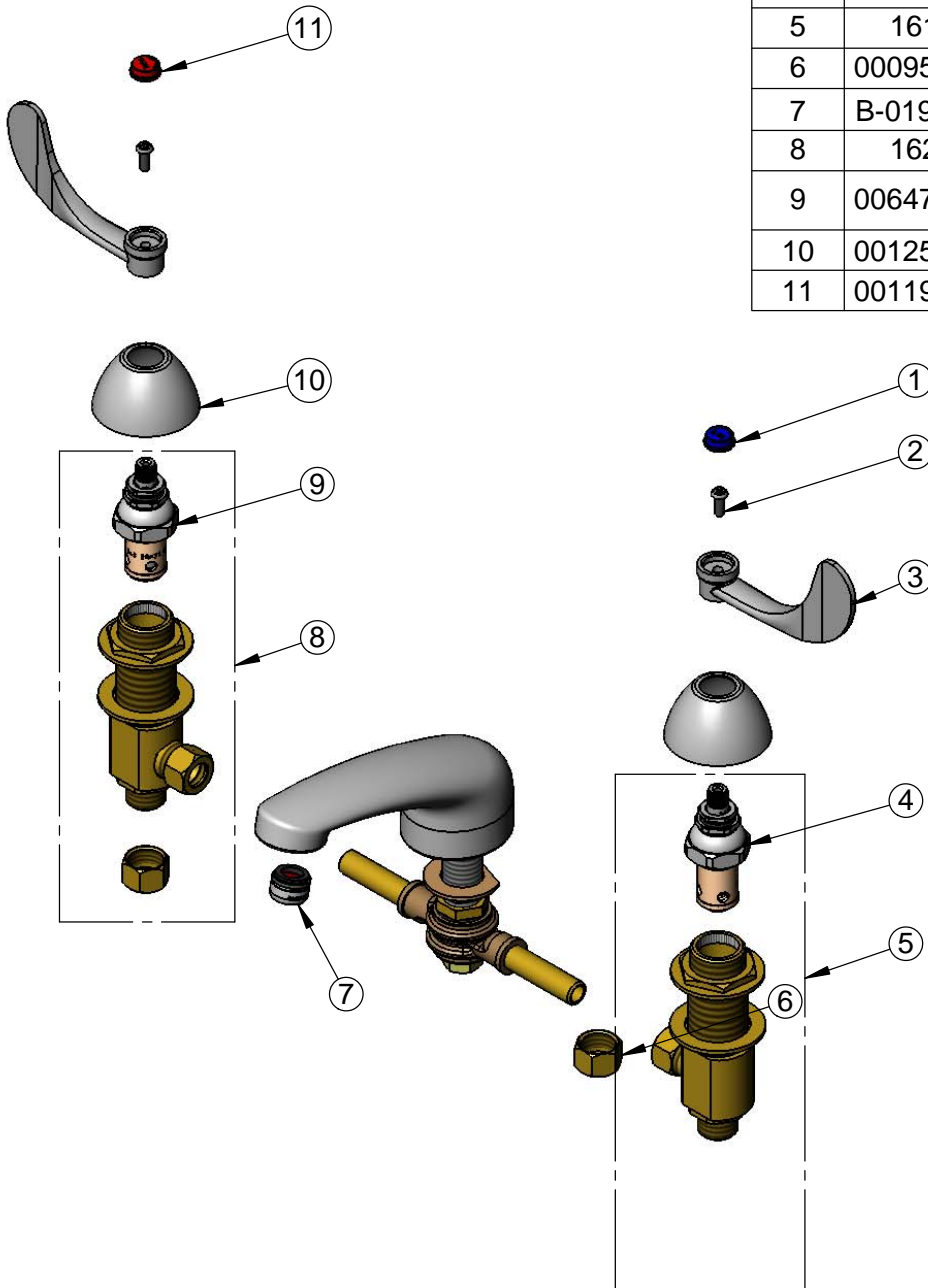
T&S BRASS AND BRONZE WORKS, INC.
 2 Saddleback Cove / P.O. Box 1088
 Travelers Rest, SC 29690

Model No.
B-2992-WH4

Item No.

Travelers Rest, SC: 800-476-4103 • Simi Valley, CA: 800-423-0150 • Fax: 864-834-3518 • www.tsbrass.com

ITEM NO.	SALES NO.	DESCRIPTION
1	001686-45	Blue Index - CW
2	000925-45	Lab Handle Screw
3	B-WH4	4" Wrist Action Handle
4	006477-40	Eterna Cartridge, LTC (Teflon) w/ Escutcheon Bonnet
5	161A	B-0850 Side Body - Cold
6	000958-20	Coupling Nut
7	B-0199-03	2.2 GPM Aerator
8	162A	B-0850 Side Body - Hot
9	006478-40	Eterna Cartridge, RTC (Teflon) w/ Escutcheon Bonnet
10	001257-40	Bell Escutcheon
11	001194-45	Red Index - HW



Product Specifications:
 8" Deck Mount Mixing Faucet, Eterna Cartridges, Wrist Action Handles, Cast Spout w/ 2.2 GPM Aerator & 1/2" NPT Male Inlets w/ Coupling Nuts

Product Compliance:
 ASME A112.18.1 / CSA B125.1
 NSF 61 - Section 9
 NSF 372 (Low Lead Content)
 ANSI A117.1 (ADA)