



T&S BRASS AND BRONZE WORKS, INC.

2 Saddleback Cove / P.O. Box 1088
Travelers Rest, SC 29690

Model No.

B-2992-PWH4

Item No.

Travelers Rest, SC: 800-476-4103 • Simi Valley, CA: 800-423-0150 • Fax: 864-834-3518 • www.tsbrass.com



ADA Compliant

This Space for Architect/Engineer Approval

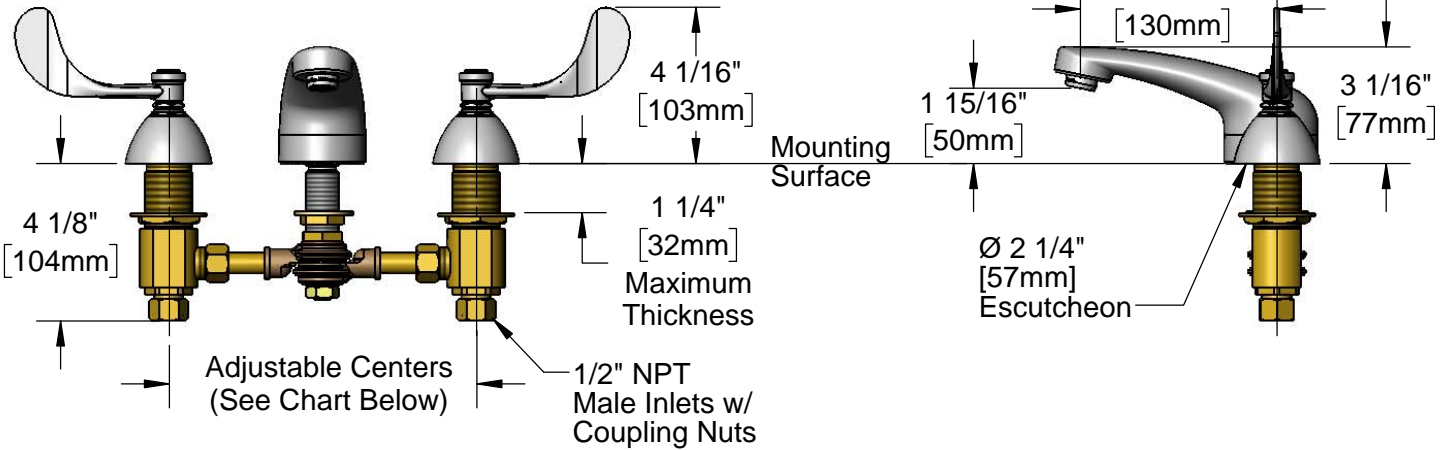
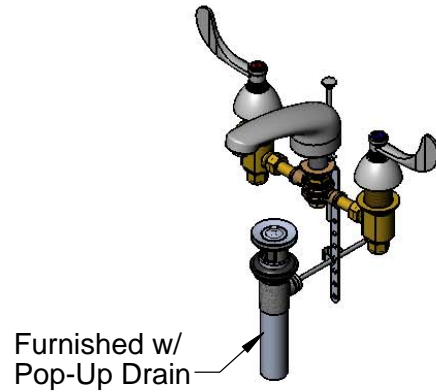
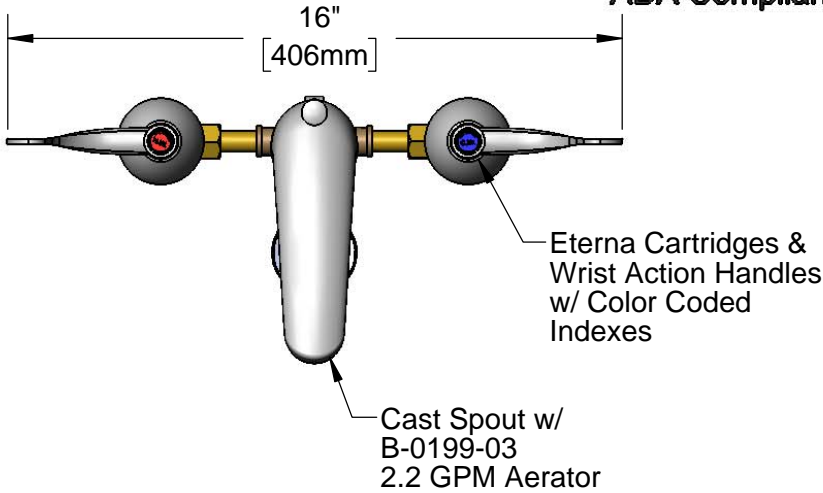
Job Name _____ Date _____

Model Specified _____ Quantity _____

Customer/Wholesaler _____

Contractor _____

Architect/Engineer _____



Hot & Cold Center Sections Can be at Angle		Then Faucet Will Fit "X" with Standard 1/4" NPT Cross Pipes Furnished	
Hot	Spout	if "Y" is	
		1/2"	8"
		1"	7 3/4"
		1 1/2"	7 3/8"
		2"	7"

Product Specifications:
8" Deck Mount Mixing Faucet, Eterna Cartridges, Wrist Action Handles, Cast Spout w/ 2.2 GPM Aerator, Pop-Up Drain & 1/2" NPT Male Inlets w/ Coupling Nuts

Product Compliance:
ASME A112.18.1 / CSA B125.1
NSF 61 - Section 9
NSF 372 (Low Lead Content)
ANSI A117.1 (ADA)



T&S BRASS AND BRONZE WORKS, INC.

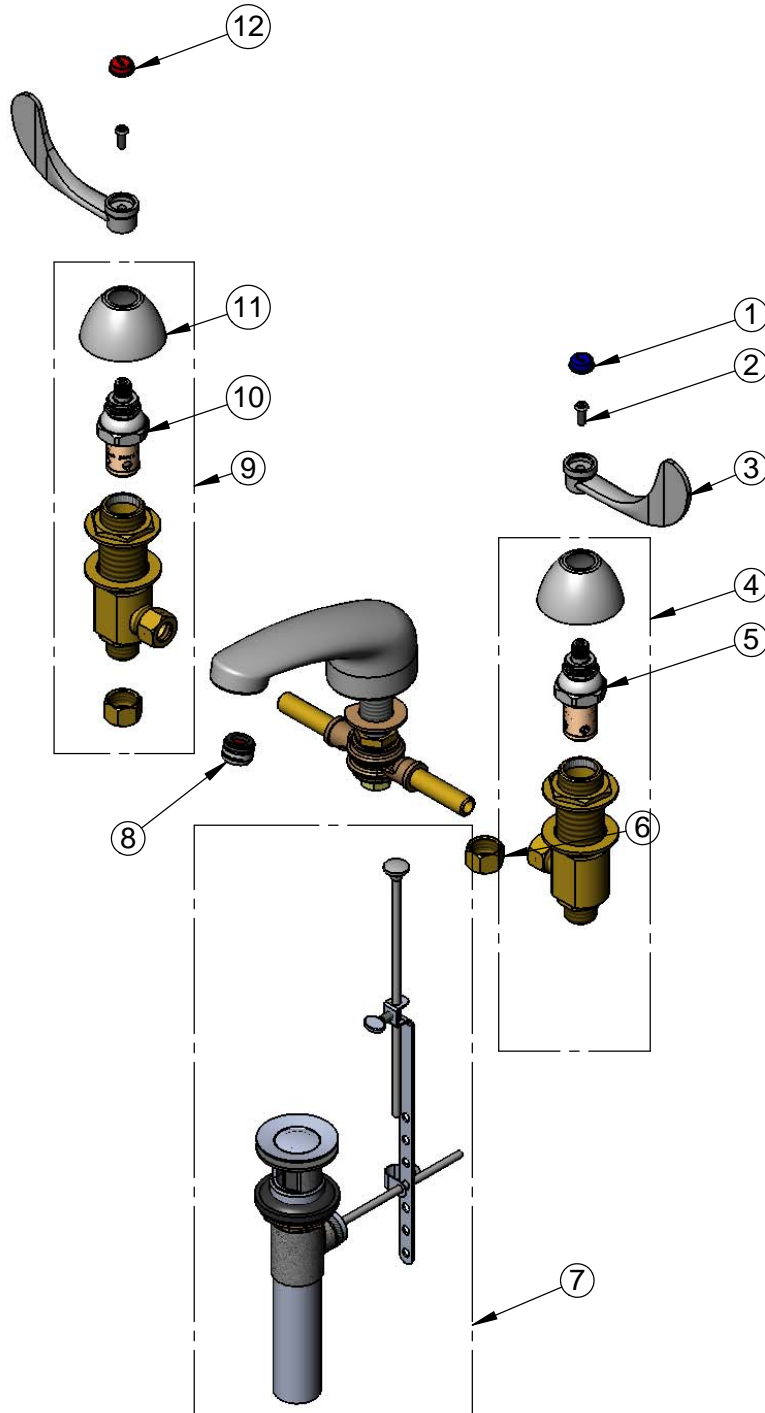
2 Saddleback Cove / P.O. Box 1088
Travelers Rest, SC 29690

Model No.

B-2992-PWH4

Item No.

Travelers Rest, SC: 800-476-4103 • Simi Valley, CA: 800-423-0150 • Fax: 864-834-3518 • www.tsbrass.com



ITEM NO.	SALES NO.	DESCRIPTION
1	001686-45	Blue Index - CW
2	000925-45	Lab Handle Screw
3	B-WH4	4" Wrist Action Handle
4	161A	B-0850 Side Body - Cold
5	006477-40	Eterna Cartridge, LTC (Teflon) w/ Escutcheon Bonnet
6	000958-20	Coupling Nut
7	B-0898	Pop-Up Drain
8	B-0199-03	2.2 GPM Aerator
9	162A	B-0850 Side Body - Hot
10	006478-40	Eterna Cartridge, RTC (Teflon) w/ Escutcheon Bonnet
11	001257-40	Bell Escutcheon
12	001194-45	Red Index - HW

Product Specifications:

8" Deck Mount Mixing Faucet, Eterna Cartridges, Wrist Action Handles, Cast Spout w/ 2.2 GPM Aerator, Pop-Up Drain & 1/2" NPT Male Inlets w/ Coupling Nuts

Product Compliance:

ASME A112.18.1 / CSA B125.1
NSF 61 - Section 9
NSF 372 (Low Lead Content)
ANSI A117.1 (ADA)