



T&S BRASS AND BRONZE WORKS, INC.

2 Saddleback Cove / P.O. Box 1088
Travelers Rest, SC 29690

Model No.

B-2992-L

Item No.

Travelers Rest, SC: 800-476-4103 • Simi Valley, CA: 800-423-0150 • Fax: 864-834-3518 • www.tsbrass.com



ADA Compliant

This Space for Architect/Engineer Approval

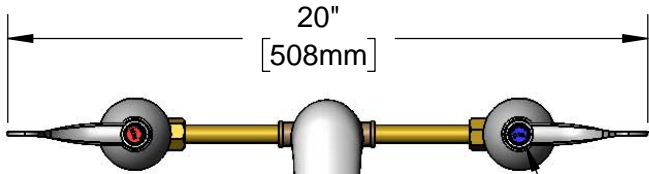
Job Name _____ Date _____

Model Specified _____ Quantity _____

Customer/Wholesaler _____

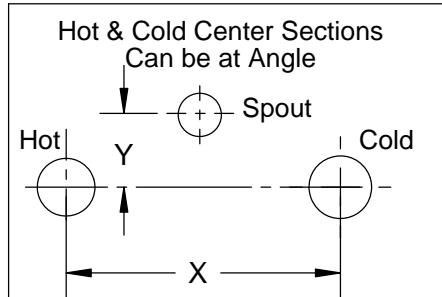
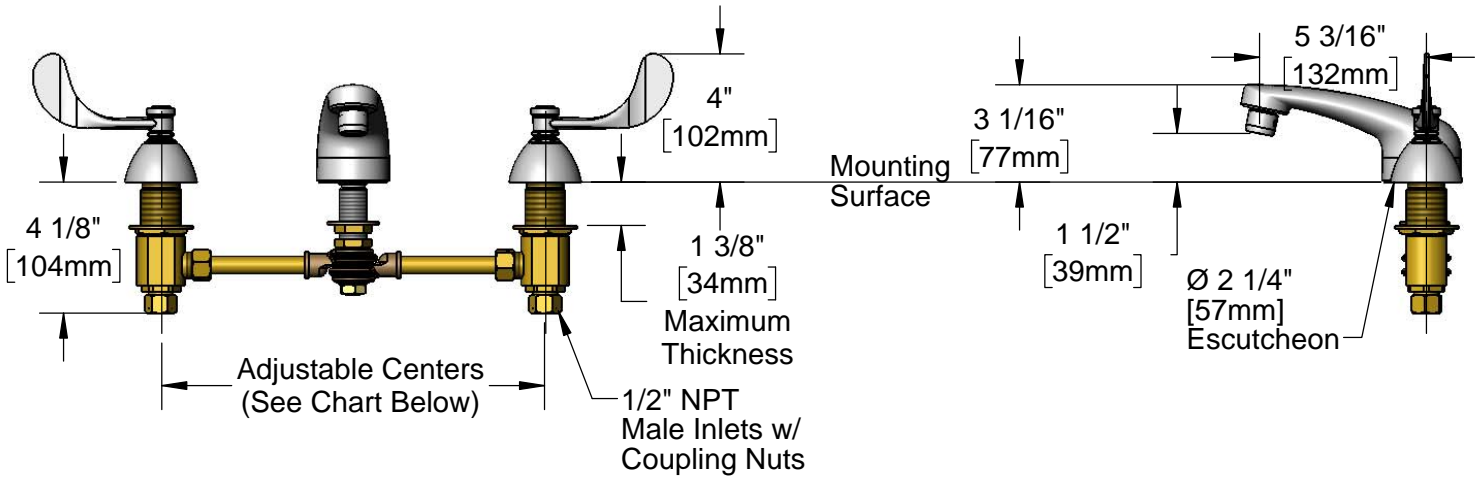
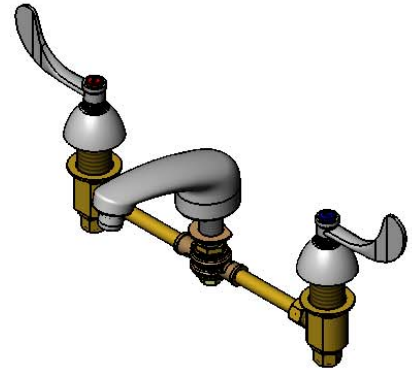
Contractor _____

Architect/Engineer _____



Quarter-Turn
Cerama Cartridges &
Wrist Action Handles
w/ Color Coded
Indexes

Cast Spout w/
B-0199-03
2.2 GPM Aerator



if "Y" is	Then Faucet Will Fit "X" with Standard 1/4" NPT Cross Pipes Furnished
1/2"	8"
1"	7 3/4"
1 1/2"	7 3/8"
2"	7"

Product Specifications:

12" Deck Mount Mixing Faucet, Quarter-Turn Cerama Cartridges, Wrist Action Handles, Cast Spout w/ 2.2 GPM Aerator & 1/2" NPT Male Inlets w/ Coupling Nuts

Product Compliance:

ASME A112.18.1 / CSA B125.1
NSF 61 - Section 9
NSF 372 (Low Lead Content)
ANSI A117.1 (ADA)



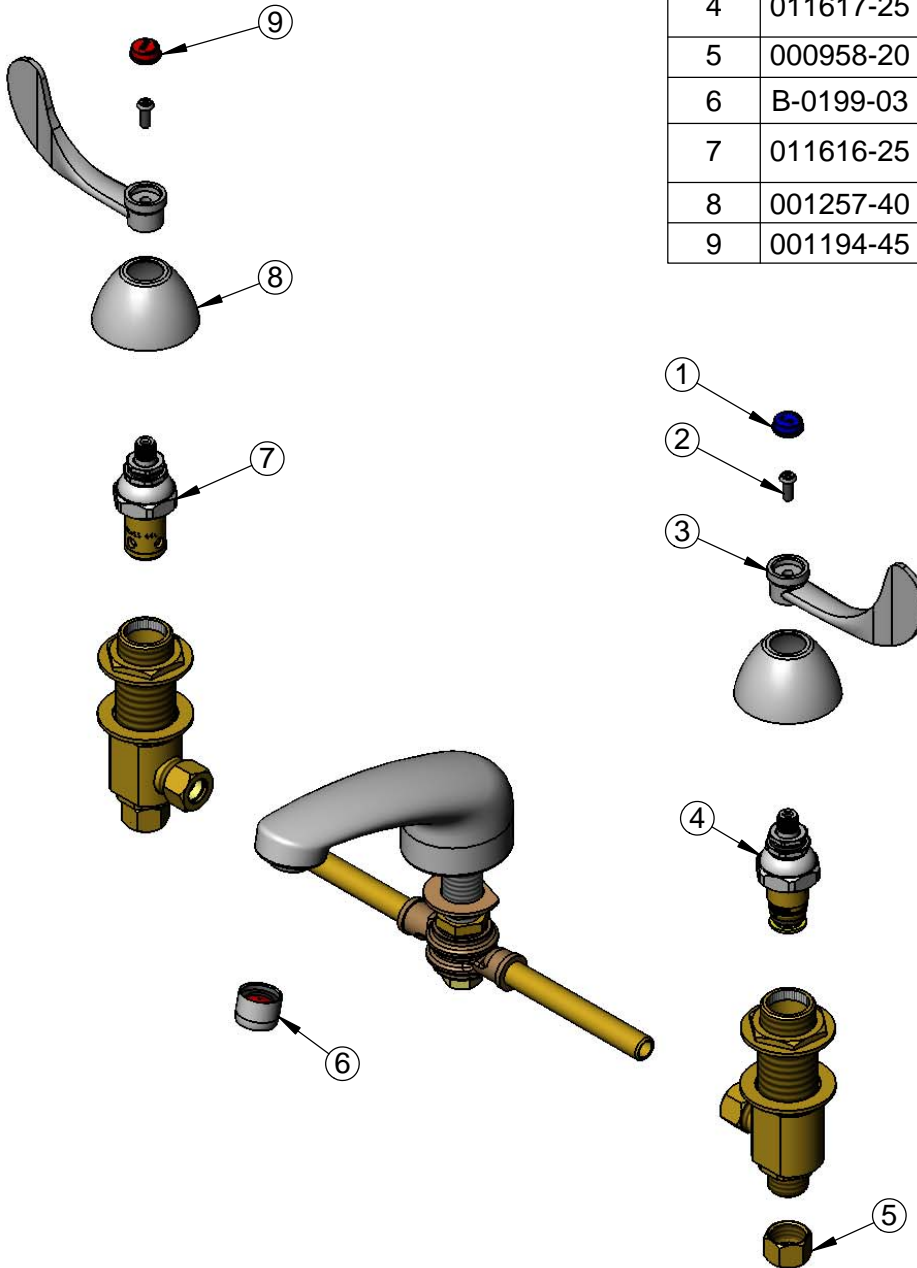
T&S BRASS AND BRONZE WORKS, INC.
 2 Saddleback Cove / P.O. Box 1088
 Travelers Rest, SC 29690

Model No.
B-2992-L

Item No.

Travelers Rest, SC: 800-476-4103 • Simi Valley, CA: 800-423-0150 • Fax: 864-834-3518 • www.tsbrass.com

ITEM NO.	SALES NO.	DESCRIPTION
1	001686-45	Blue Index - CW
2	000925-45	Lab Handle Screw
3	B-WH4	4" Wrist Action Handle
4	011617-25	Cerama Cartridge, RTC
5	000958-20	Coupling Nut
6	B-0199-03	2.2 GPM Aerator
7	011616-25	Quarter-Turn Cerama Cartridge, LTC
8	001257-40	Bell Escutcheon
9	001194-45	Red Index - HW



Product Specifications:

12" Deck Mount Mixing Faucet, Quarter-Turn Cerama Cartridges, Wrist Action Handles, Cast Spout w/ 2.2 GPM Aerator & 1/2" NPT Male Inlets w/ Coupling Nuts

Product Compliance:

ASME A112.18.1 / CSA B125.1
 NSF 61 - Section 9
 NSF 372 (Low Lead Content)
 ANSI A117.1 (ADA)