



T&S BRASS AND BRONZE WORKS, INC.
 2 Saddleback Cove / P.O. Box 1088
 Travelers Rest, SC 29690

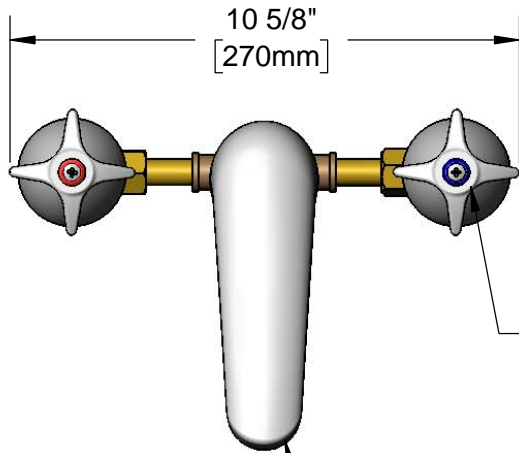
Model No.
B-2992-175F

Item No.

Travelers Rest, SC: 800-476-4103 • Simi Valley, CA: 800-423-0150 • Fax: 864-834-3518 • www.tsbrass.com

This Space for Architect/Engineer Approval

Job Name _____ Date _____
 Model Specified _____ Quantity _____
 Customer/Wholesaler _____
 Contractor _____
 Architect/Engineer _____

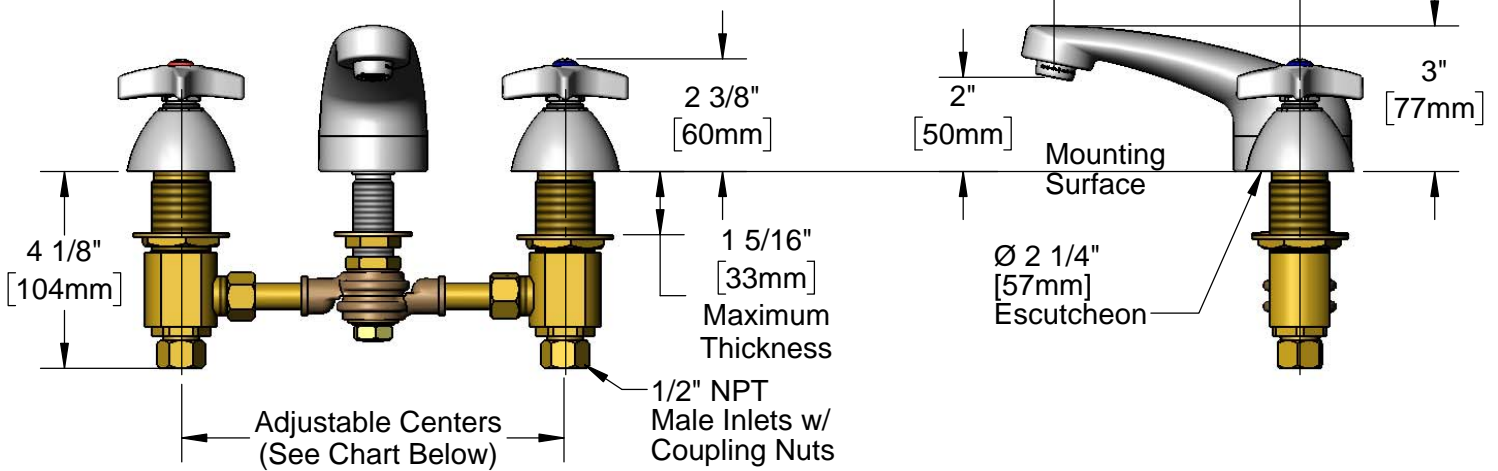


Eterna Cartridges &
 4-Arm Handles w/
 Color Coded
 Indexes

Cast Spout w/
 B-0199-03
 2.2 GPM Aerator



ADA Compliant



Hot & Cold Center Sections Can be at Angle		Then Faucet Will Fit "X" with Standard 1/4" NPT Cross Pipes Furnished
	if "Y" is	
	1/2"	8"
	1"	7 3/4"
	1 1/2"	7 3/8"
	2"	7"

Product Specifications:
 8" Deck Mount Mixing Faucet, Eterna Cartridges, 4-Arm Handles, Cast
 Spout w/ 2.2 GPM Aerator & 1/2" NPT Male Inlets w/ Coupling Nuts

Product Compliance:
 ASME A112.18.1 / CSA B125.1
 NSF 61 - Section 9
 NSF 372 (Low Lead Content)
 ANSI A117.1 (ADA)



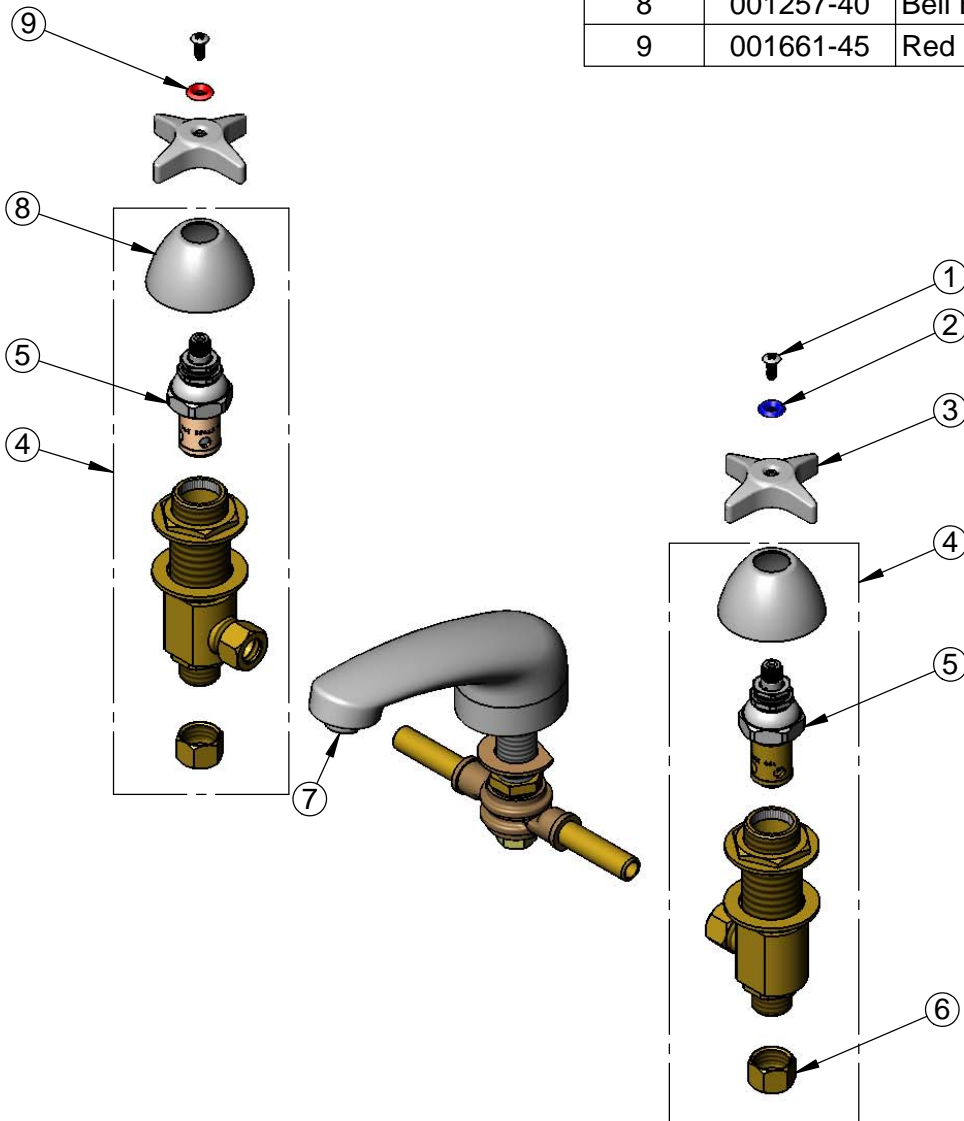
T&S BRASS AND BRONZE WORKS, INC.
 2 Saddleback Cove / P.O. Box 1088
 Travelers Rest, SC 29690

Model No.
B-2992-175F

Item No.

Travelers Rest, SC: 800-476-4103 • Simi Valley, CA: 800-423-0150 • Fax: 864-834-3518 • www.tsbrass.com

ITEM NO.	SALES NO.	DESCRIPTION
1	000922-45	Lever Handle Screw
2	001660-45	Blue Index-CW
3	002521-45	4-Arm Handle
4	162A	B-0850 Side Body - Hot
5	006478-40	Eterna Cartridge, RTC (Teflon) w/ Escutcheon Bonnet
6	000958-20	Coupling Nut
7	B-0199-03	2.2 GPM Aerator
8	001257-40	Bell Escutcheon
9	001661-45	Red Index-HW



Product Specifications:
 8" Deck Mount Mixing Faucet, Eterna Cartridges, 4-Arm Handles, Cast Spout w/ 2.2 GPM Aerator & 1/2" NPT Male Inlets w/ Coupling Nuts

Product Compliance:
 ASME A112.18.1 / CSA B125.1
 NSF 61 - Section 9
 NSF 372 (Low Lead Content)
 ANSI A117.1 (ADA)