



# T&S BRASS AND BRONZE WORKS, INC.

2 Saddleback Cove / P.O. Box 1088  
Travelers Rest, SC 29690



REG. #A2601  
ISO #9001

Model No.

**B-2991-PWH4**

Item No.

Travelers Rest, SC: 800-476-4103 Simi Valley, CA: 800-423-0150 Fax: 864-834-3518 www.tsbrass.com

This Space for Architect/Engineer Approval

Job Name \_\_\_\_\_ Date \_\_\_\_\_

Model Specified \_\_\_\_\_ Quantity \_\_\_\_\_

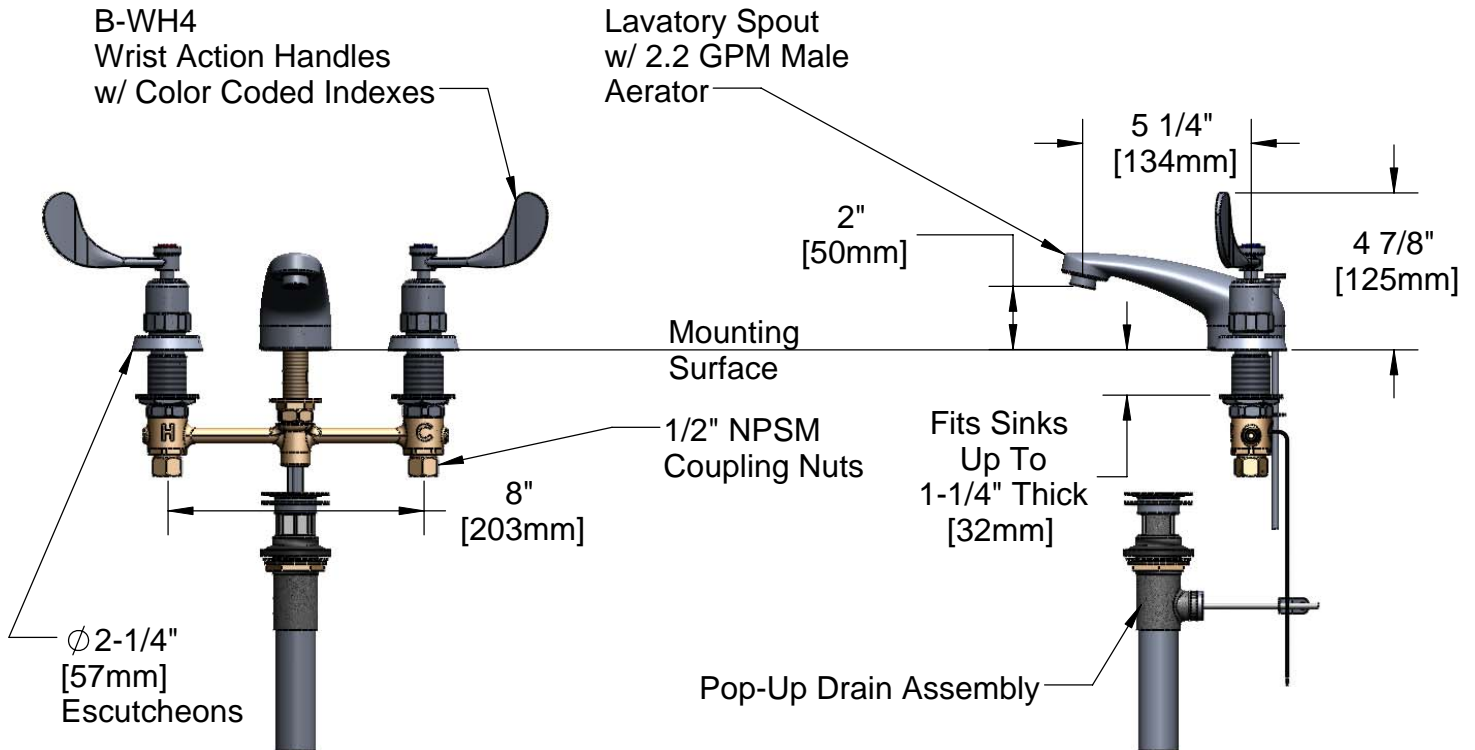
Customer/Wholesaler \_\_\_\_\_

Contractor \_\_\_\_\_

Architect/Engineer \_\_\_\_\_



**ADA Compliant**



Note: Rough-In Required:

Ø 1" [25mm] for Center Shank

Ø 1-1/2" [38mm] for Hot/Cold Side [1-1/4" [32mm] Minimum]

Product Specifications:

**EasyInstall Faucet w/ 4" Wrist Action Handles, Slow-Close Metering Cartridges, 8" Inlet Centers, Pop-Up Drain Lavatory Spout w/ 2.2 GPM Aerator**

Drawn  
**JRM**

Checked  
**GEF**

Approved  
**JHB**

Scale:

**NTS**

Date:

**12/08/08**



**T&S BRASS AND BRONZE WORKS, INC.**

2 Saddleback Cove / P.O. Box 1088  
Travelers Rest, SC 29690



REG. #A2601  
ISO #9001

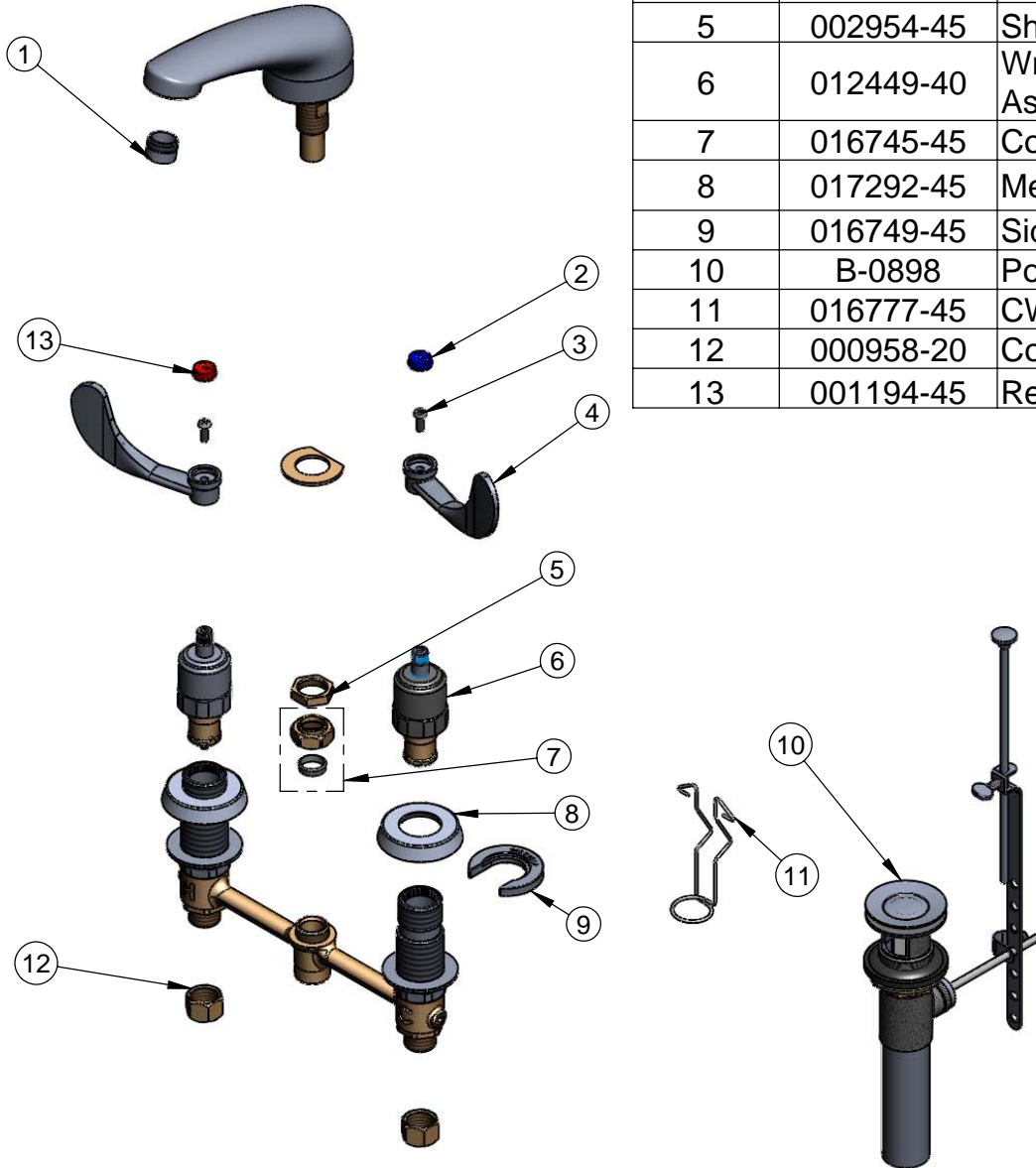
Model No.

**B-2991-PWH4**

Item No.

Travelers Rest, SC: 800-476-4103 Simi Valley, CA: 800-423-0150 Fax: 864-834-3518 www.tsbrass.com

ITEM NO.	SALES NO.	DESCRIPTION
1	B-0199-03	2.2 GPM Aerator
2	001686-45	Blue CW Index
3	000925-45	Lab Handle Screw
4	B-WH4	4" Wrist Action Handle
5	002954-45	Shank Lock Nut
6	012449-40	Wrist Action Metering Cartridge Assembly
7	016745-45	Compression Nut & Fitting
8	017292-45	Metering CWS Escutcheon
9	016749-45	Sidebody C-Washer
10	B-0898	Pop-Up Drain
11	016777-45	CWS Hanger
12	000958-20	Coupling Nut
13	001194-45	Red HW Index



Product Specifications:

EasyInstall Faucet w/ 4" Wrist Action Handles, Slow-Close Metering Cartridges, 8" Inlet Centers, Pop-Up Drain Lavatory Spout w/ 2.2 GPM Aerator

Drawn <b>JRM</b>	Checked <b>GEF</b>	Approved <b>JHB</b>
Scale: <b>NTS</b>		Date: <b>12/08/08</b>