

T&S BRASS AND BRONZE WORKS, INC.

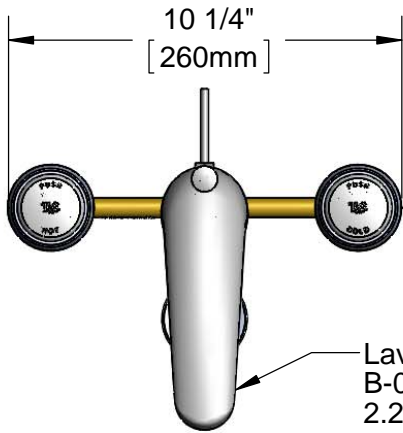
2 Saddleback Cove / P.O. Box 1088
Travelers Rest, SC 29690

Model No.

B-2991-P

Item No.

Travelers Rest, SC: 800-476-4103 • Simi Valley, CA: 800-423-0150 • Fax: 864-834-3518 • www.tsbrass.com



ADA Compliant

Lavatory Spout w/
B-0199-03
2.2 GPM Aerator

This Space for Architect/Engineer Approval

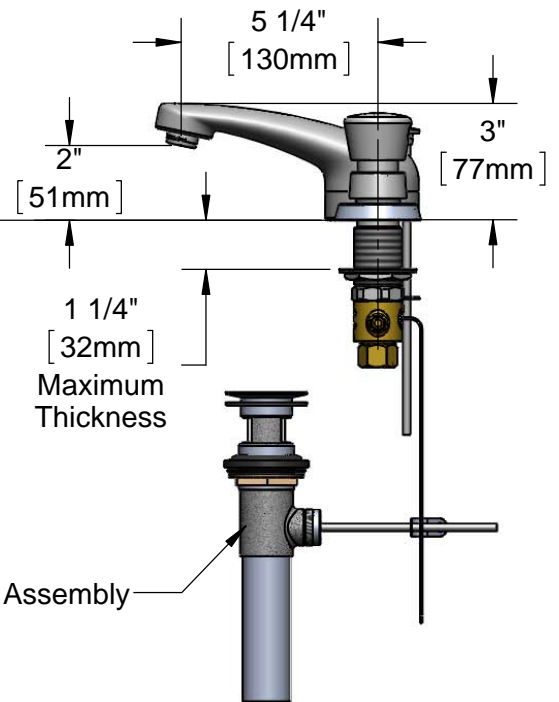
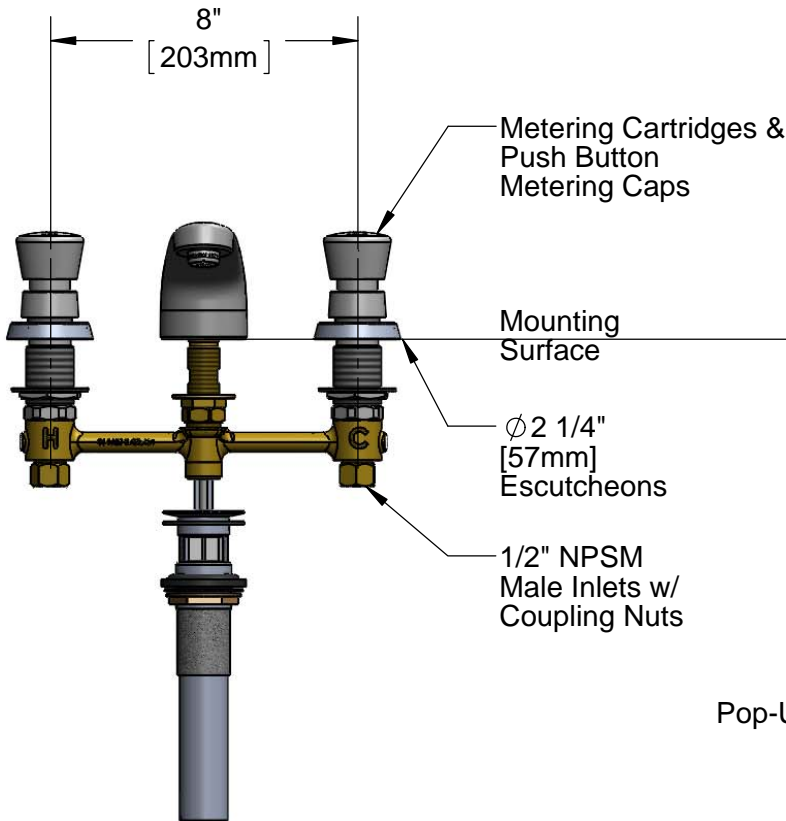
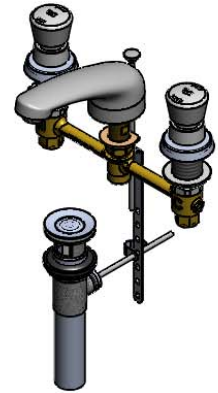
Job Name _____ Date _____

Model Specified _____ Quantity _____

Customer/Wholesaler _____

Contractor _____

Architect/Engineer _____



Rough-In Requirement:

Ø 1" [25mm] for Center Shank

Ø 1 1/2" [38mm] for Hot/Cold Side

Product Specifications:

EasyInstall 8" Concealed Widespread Mixing Faucet, Push Button Handles, Metering Cartridges, Pop-Up Drain & Lavatory Spout w/ 2.2 GPM Aerator

Product Compliance:

ASME A112.18.1 / CSA B125.1
NSF 61 - Section 9
NSF 372 (Low Lead Content)
ANSI A117.1 (ADA)



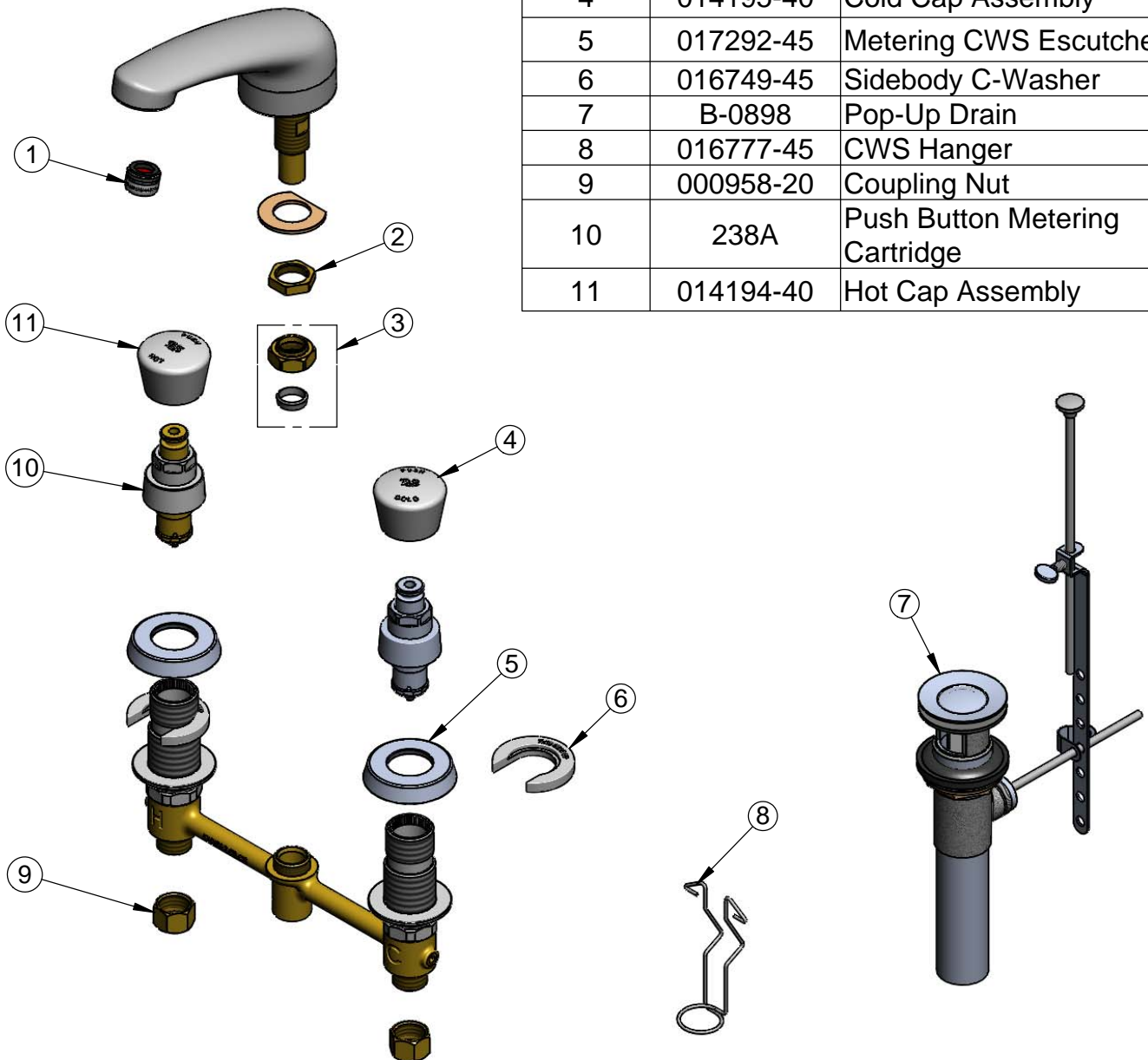
T&S BRASS AND BRONZE WORKS, INC.
 2 Saddleback Cove / P.O. Box 1088
 Travelers Rest, SC 29690

Model No.
B-2991-P

Item No.

Travelers Rest, SC: 800-476-4103 • Simi Valley, CA: 800-423-0150 • Fax: 864-834-3518 • www.tsbrass.com

ITEM NO.	SALES NO.	DESCRIPTION
1	B-0199-03	2.2 GPM Aerator
2	002954-45	Shank Lock Nut
3	016745-45	Compression Nut & Fitting
4	014195-40	Cold Cap Assembly
5	017292-45	Metering CWS Escutcheon
6	016749-45	Sidebody C-Washer
7	B-0898	Pop-Up Drain
8	016777-45	CWS Hanger
9	000958-20	Coupling Nut
10	238A	Push Button Metering Cartridge
11	014194-40	Hot Cap Assembly



Product Specifications:
 EasyInstall 8" Concealed Widespread Mixing Faucet, Push Button Handles, Metering Cartridges, Pop-Up Drain & Lavatory Spout w/ 2.2 GPM Aerator

Product Compliance:
 ASME A112.18.1 / CSA B125.1
 NSF 61 - Section 9
 NSF 372 (Low Lead Content)
 ANSI A117.1 (ADA)