



T&S BRASS AND BRONZE WORKS, INC.

2 Saddleback Cove / P.O. Box 1088
Travelers Rest, SC 29690

Model No.

B-2990-WS

Item No.

Travelers Rest, SC: 800-476-4103 • Simi Valley, CA: 800-423-0150 • Fax: 864-834-3518 • www.tsbrass.com

This Space for Architect/Engineer Approval

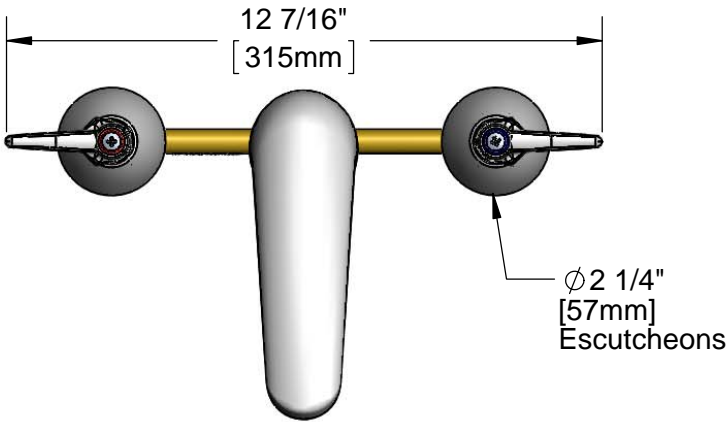
Job Name _____ Date _____

Model Specified _____ Quantity _____

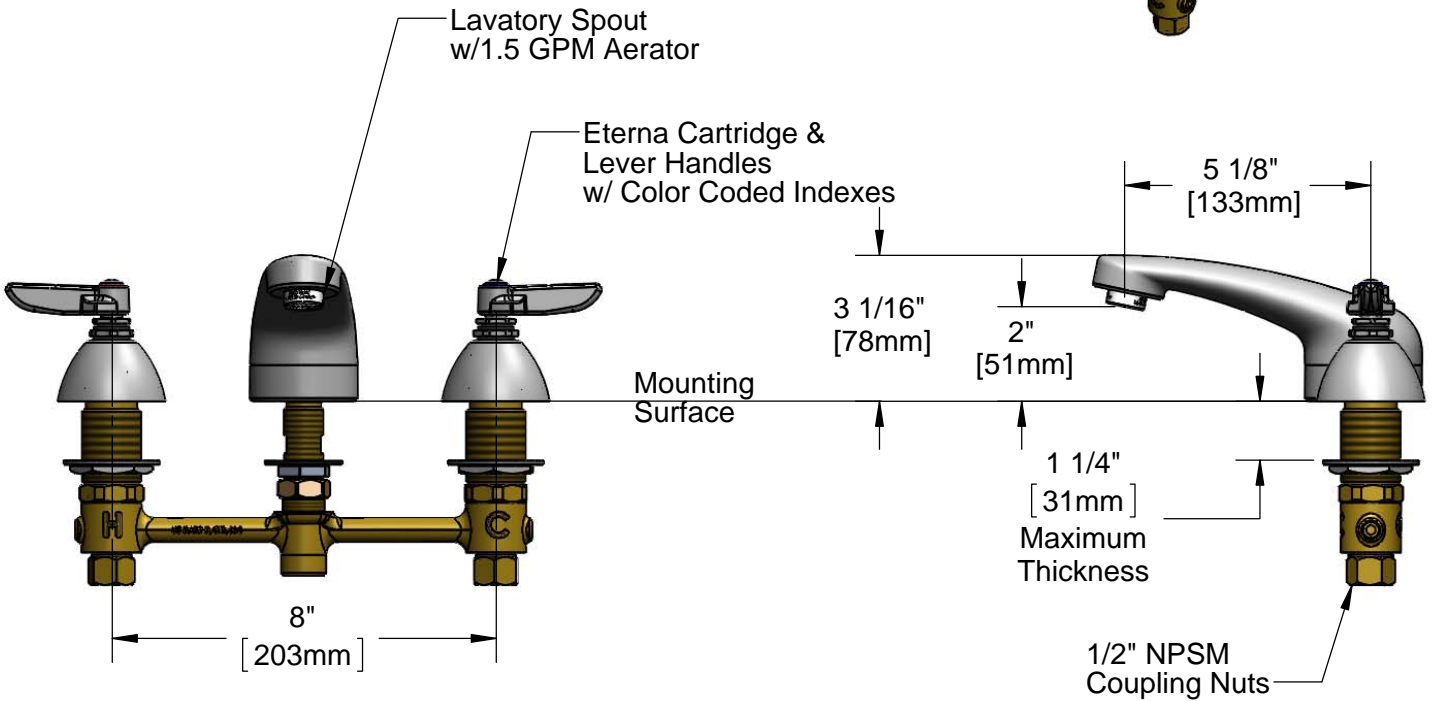
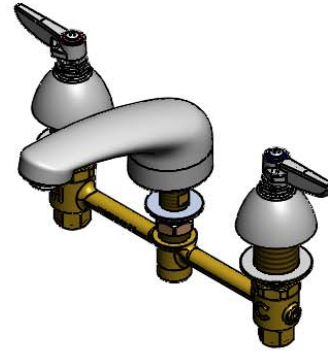
Customer/Wholesaler _____

Contractor _____

Architect/Engineer _____



ADA Compliant



Rough-In Requirement:

Center Shank: $\phi 1''$ [25mm] Mounting Hole

Hot/Cold Side: $\phi 1 \frac{1}{2}''$ [38mm] Mounting Holes

Product Specifications:

8" Concealed Widespread EasyInstall Mixing Faucet, Lever Handles, Eterna Cartridges, Lavatory Spout w/ 1.5 GPM Aerator and 1/2" NPSM Male Inlets

Product Compliance:

ASME A112.18.1 / CSA B125.1
NSF 61 - Section 9
NSF 372 (Low Lead Content)
ANSI A117.1 (ADA)
EPA WaterSense

Drawn: JBC

Checked: JRM

Approved: JHB

Date: 01/23/17

Scale: 1:5

Sheet: 1 of 2

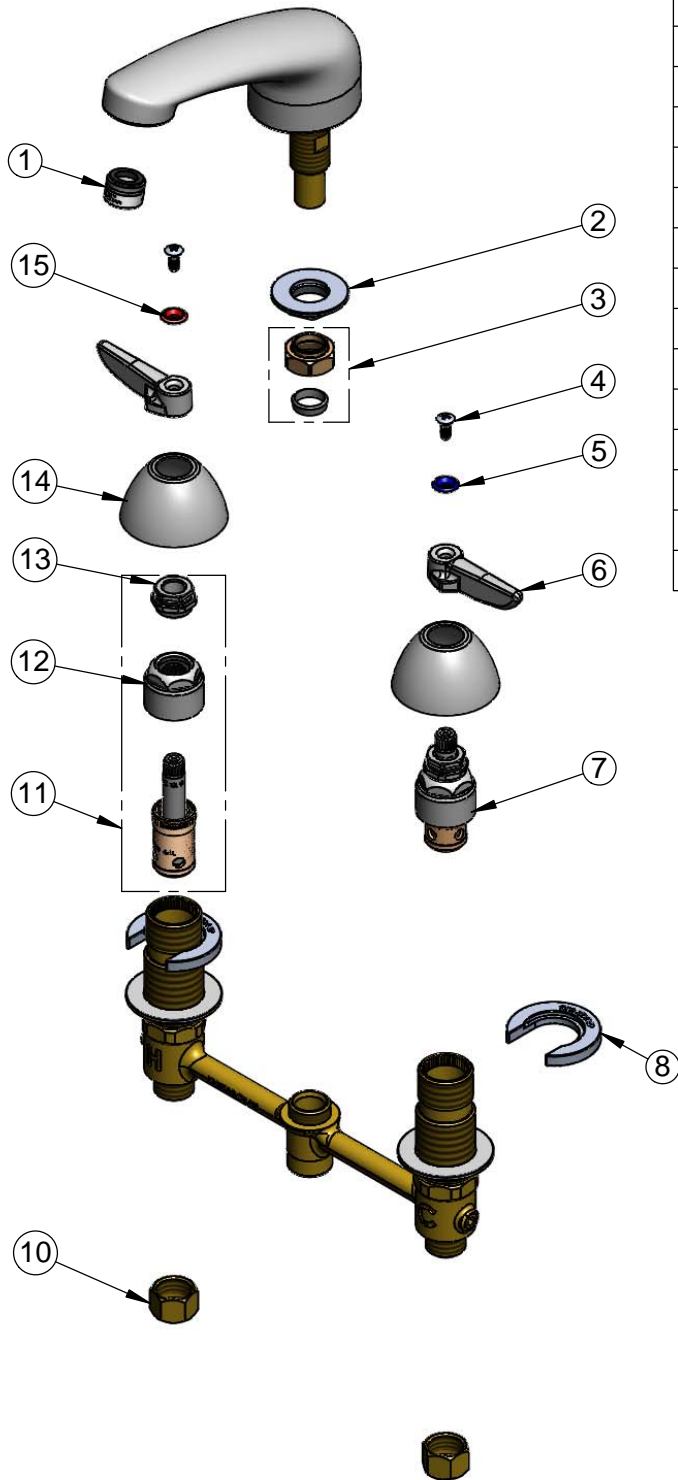


T&S BRASS AND BRONZE WORKS, INC.
 2 Saddleback Cove / P.O. Box 1088
 Travelers Rest, SC 29690

Model No.
B-2990-WS
 Item No.

Travelers Rest, SC: 800-476-4103 • Simi Valley, CA: 800-423-0150 • Fax: 864-834-3518 • www.tsbrass.com

ITEM NO.	SALES NO.	DESCRIPTION
1	B-0199-03-WS	1.5 GPM Aerator, 13/16-27 Male
2	016742-45	Center Flange Nut
3	016745-45	Compression Nut & Fitting
4	000922-45	Lever Handle Screw
5	001660-45	Blue Index-CW
6	001638-45	Lever Handle
7	016752-40	EasyInstall RTC Eterna (Teflon)
8	016749-45	Sidebody C-Washer
9	016777-45	CWS Hanger
10	000958-20	Coupling Nut
11	016753-40	Washer
12	016743-25	CWS Bonnet
13	009002-25	Packing Nut
14	001257-40	Bell Escutcheon
15	001661-45	Red Index-HW



017245-40
 Installation Repair Kit
 Includes #2, (2)#8, & #9

Product Specifications:
 8" Concealed Widespread EasyInstall Mixing Faucet, Lever Handles, Eterna Cartridges, Lavatory Spout w/ 1.5 GPM Aerator and 1/2" NPSM Male Inlets

Product Compliance:
 ASME A112.18.1 / CSA B125.1
 NSF 61 - Section 9
 NSF 372 (Low Lead Content)
 ANSI A117.1 (ADA)
 EPA WaterSense