



**T&S BRASS AND BRONZE WORKS, INC.**  
 2 Saddleback Cove / P.O. Box 1088  
 Travelers Rest, SC 29690

Model No.  
**B-2990-WH4-VR22**

Item No.

Travelers Rest, SC: 800-476-4103 • Simi Valley, CA: 800-423-0150 • Fax: 864-834-3518 • www.tsbrass.com



**ADA Compliant**

This Space for Architect/Engineer Approval

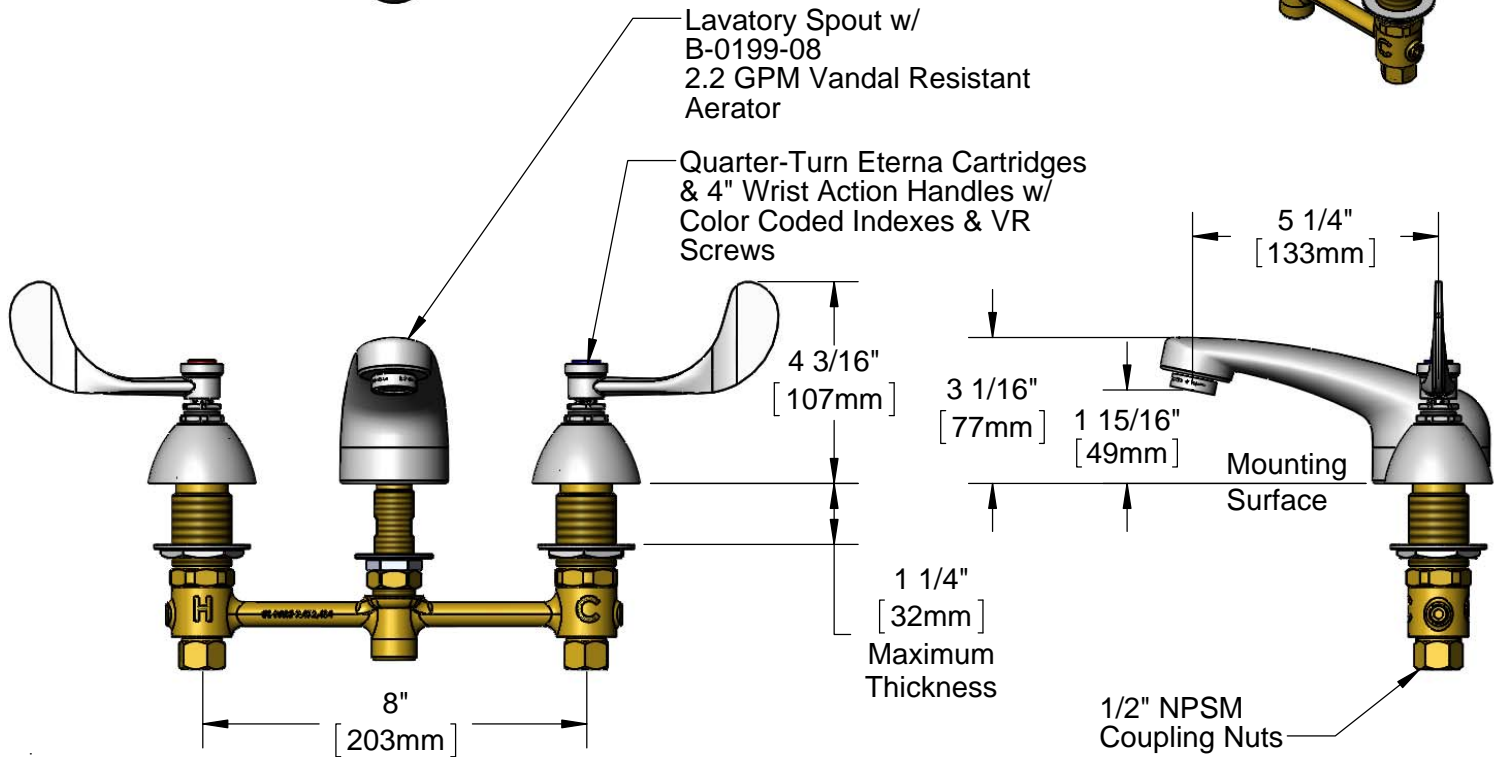
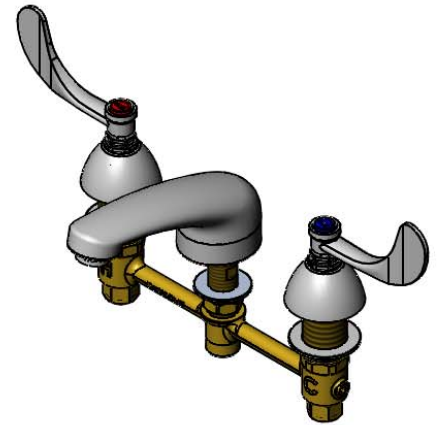
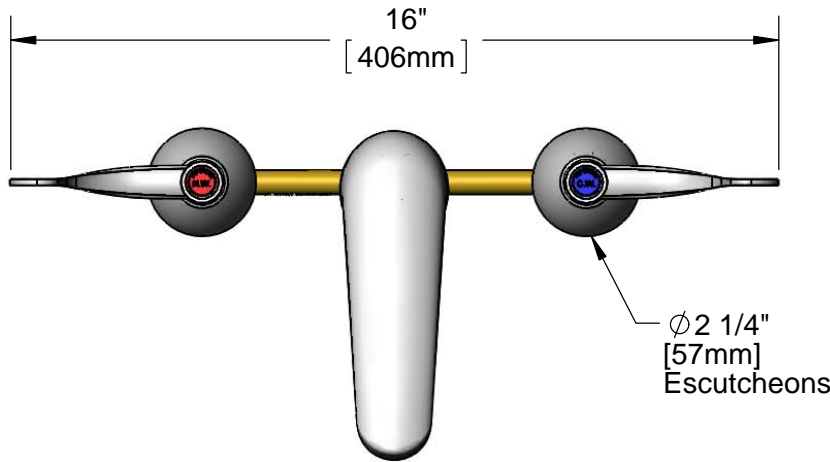
Job Name \_\_\_\_\_ Date \_\_\_\_\_

Model Specified \_\_\_\_\_ Quantity \_\_\_\_\_

Customer/Wholesaler \_\_\_\_\_

Contractor \_\_\_\_\_

Architect/Engineer \_\_\_\_\_



**Rough-In Requirement:**  
 Center Shank: Ø 1" [25mm] Mounting Hole  
 Hot/Cold Side: Ø 1-1/2" [38mm] Mounting Holes

**Product Specifications:**  
 8" Deck Mount EasyInstall Lavatory Faucet, Quarter-Turn Eterna Cartridges, 4" Wrist Action Handles, Lavatory Spout w/ 2.2 GPM VR Aerator, VR Screws & 1/2" NPSM Male Inlets

**Product Compliance:**  
 ASME A112.18.1 / CSA B125.1  
 NSF 61 - Section 9  
 NSF 372 (Low Lead Content)  
 ANSI A117.1 (ADA)



# T&S BRASS AND BRONZE WORKS, INC.

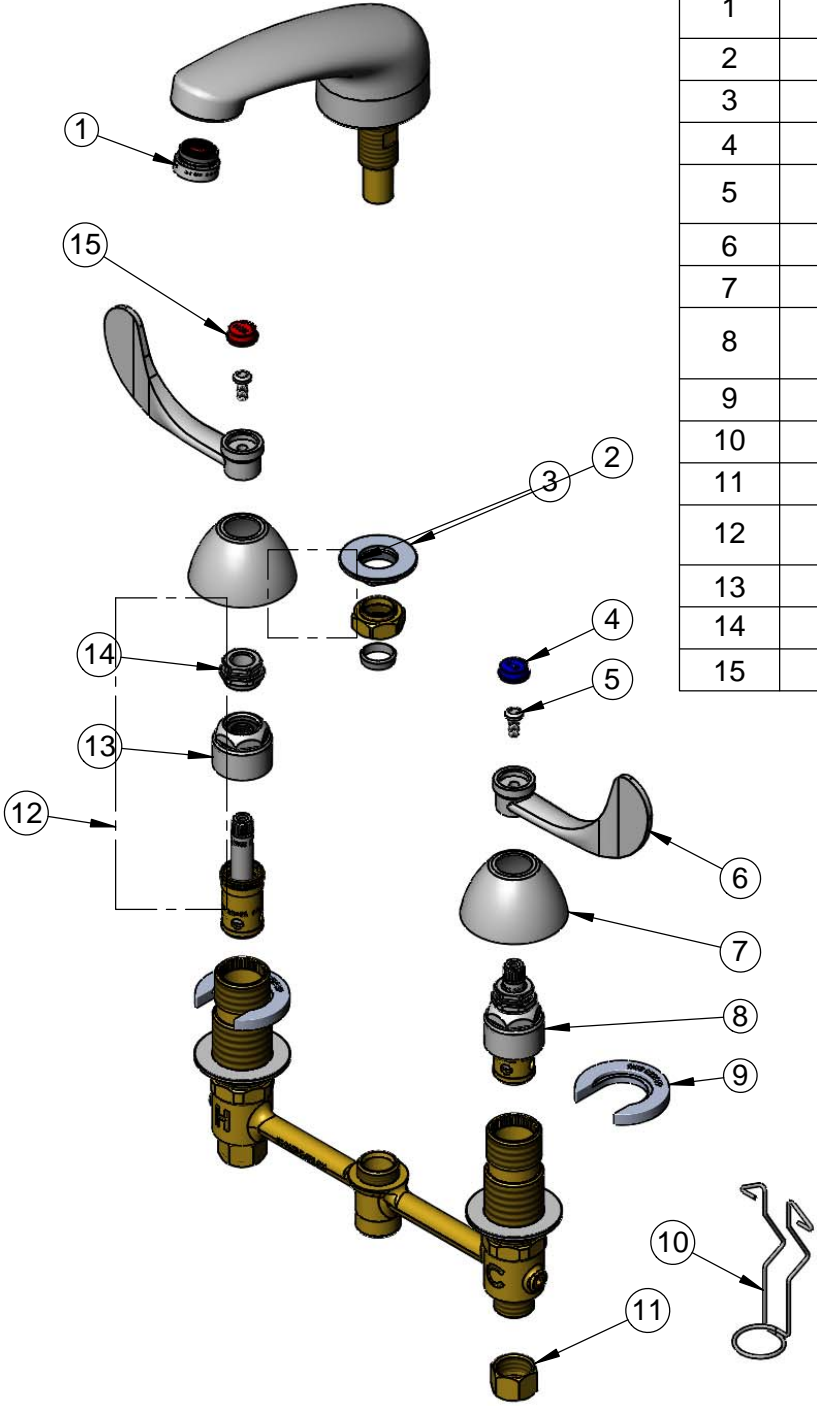
2 Saddleback Cove / P.O. Box 1088  
Travelers Rest, SC 29690

Model No.  
**B-2990-WH4-VR22**

Item No.

Travelers Rest, SC: 800-476-4103 • Simi Valley, CA: 800-423-0150 • Fax: 864-834-3518 • www.tsbrass.com

ITEM NO.	SALES NO.	DESCRIPTION
1	B-0199-08	VR 2.2 GPM Aerator, 13/16-27 UN Male w/ Key
2	016742-45	Center Flange Nut
3	016745-45	Compression Nut & Fitting
4	001686-45	Blue Index - CW
5	VRS-2	VR Wrist Action Handle Screw (2) w/ Spanner Bit
6	B-WH4	4" Wrist Action Handle
7	001257-40	Bell Escutcheon
8	016925-40	EasyInstall CWS LTC, Quarter-Turn Eterna (Teflon)
9	016749-45	Sidebody C-Washer
10	016777-45	CWS Hanger
11	000958-20	Coupling Nut
12	016926-40	EasyInstall CWS RTC, Quarter-Turn Eterna (Teflon)
13	016743-25	CWS Eterna Bonnet
14	009002-25	Packing Nut
15	001194-45	Red Index - HW



014075-45  
#10 Spanner Bit



015425-45  
Vandal Resistant Key



017245-40  
Installation Repair Kit  
Includes #2, (2)#9, & #10

**Product Specifications:**  
8" Deck Mount EasyInstall Lavatory Faucet, Quarter-Turn Eterna Cartridges, 4" Wrist Action Handles, Lavatory Spout w/ 2.2 GPM VR Aerator, VR Screws & 1/2" NPSM Male Inlets

**Product Compliance:**  
ASME A112.18.1 / CSA B125.1  
NSF 61 - Section 9  
NSF 372 (Low Lead Content)  
ANSI A117.1 (ADA)