



T&S BRASS AND BRONZE WORKS, INC.

2 Saddleback Cove / P.O. Box 1088
Travelers Rest, SC 29690

Model No.

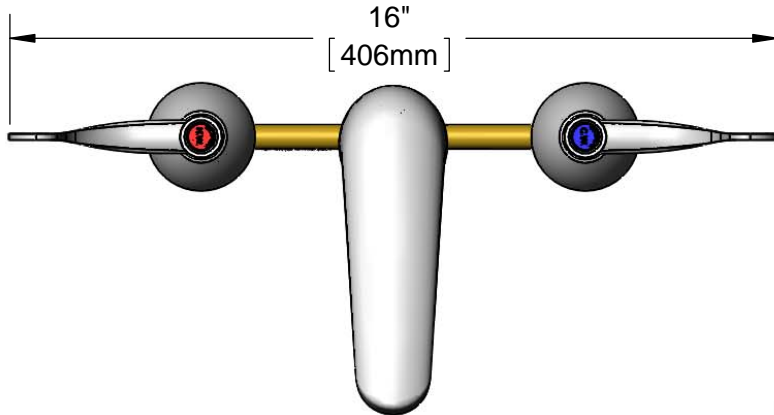
B-2990-WH4-F12

Item No.

Travelers Rest, SC: 800-476-4103 • Simi Valley, CA: 800-423-0150 • Fax: 864-834-3518 • www.tsbrass.com



ADA Compliant



This Space for Architect/Engineer Approval

Job Name _____ Date _____

Model Specified _____ Quantity _____

Customer/Wholesaler _____

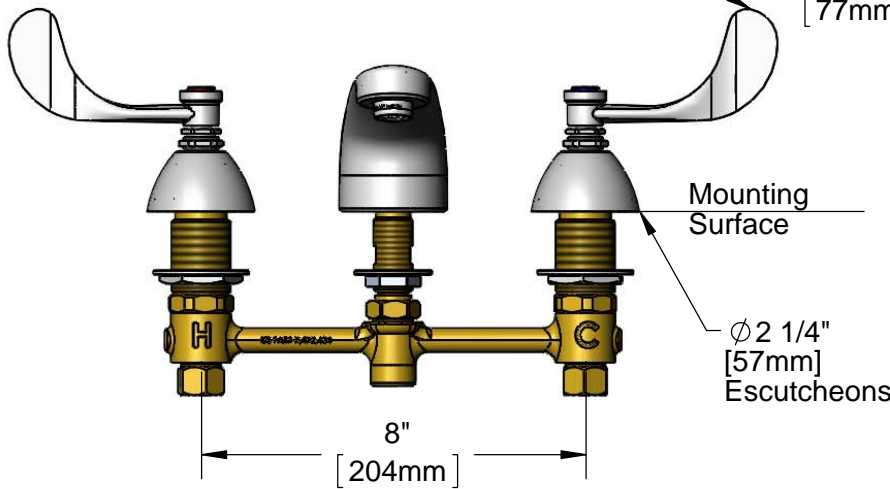
Contractor _____

Architect/Engineer _____



Eterna Cartridges &
4" Wrist Action Handles w/
Color Coded Indexes

Lavatory Spout w/
B-0199-03-F12
1.2 GPM Aerator



3 1/16"
[77mm]

5 1/8"
[130mm]

1 15/16"
[49mm]

Mounting
Surface

Ø 2 1/4"
[57mm]
Escutcheons

1 1/4"
[31mm]
Maximum
Thickness

1/2" NPSM
Male Inlets w/
Coupling Nuts

Rough-In Requirement:
Center Shank: Ø 1" [25mm] Mounting Hole
Hot/Cold Side: Ø 1 1/2" [38mm] Mounting Holes

Product Specifications:
8" Deck Mount EasyInstall Lavatory Faucet, Eterna Cartridges, 4" Wrist Action Handles, Lavatory Spout, 1.2 GPM Aerator & 1/2" NPSM Male Inlets

Product Compliance:
ASME A112.18.1 / CSA B125.1
NSF 61 - Section 9
NSF 372 (Low Lead Content)
ANSI A117.1 (ADA)
EPA WaterSense



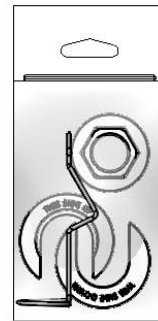
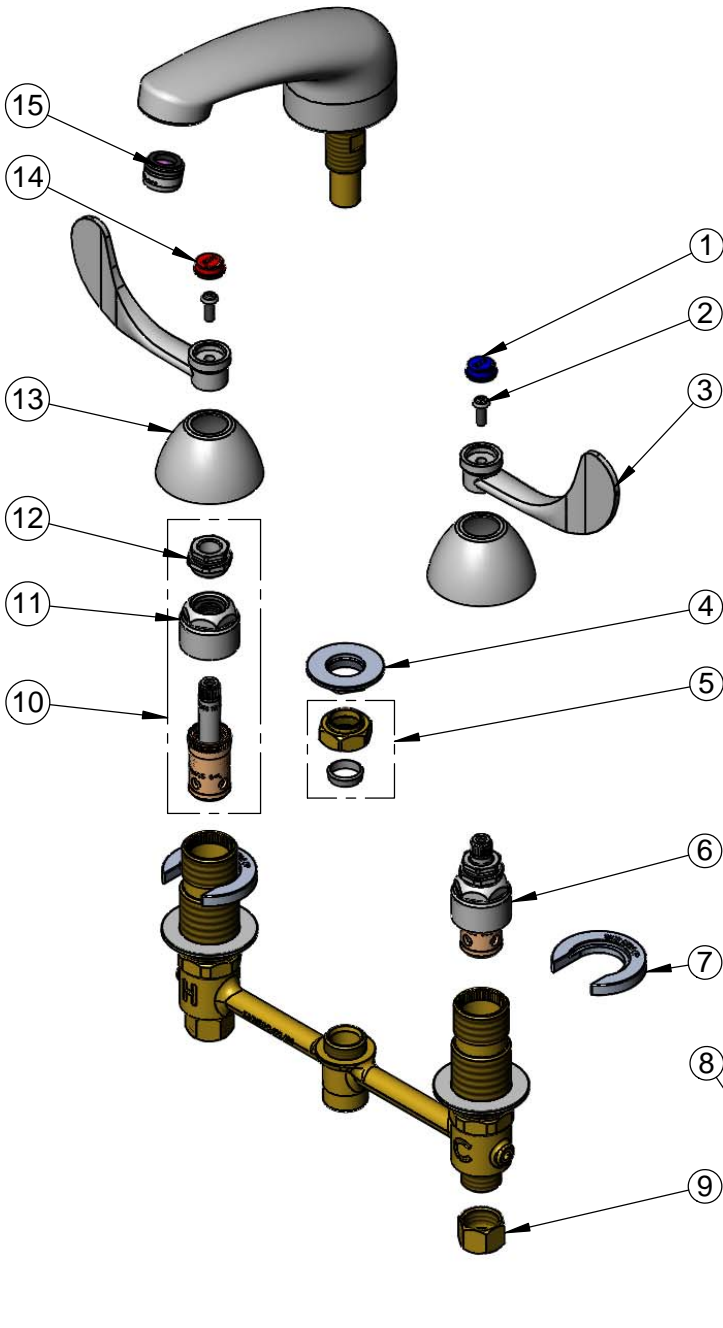
T&S BRASS AND BRONZE WORKS, INC.
 2 Saddleback Cove / P.O. Box 1088
 Travelers Rest, SC 29690

Model No.
B-2990-WH4-F12

Item No.

Travelers Rest, SC: 800-476-4103 • Simi Valley, CA: 800-423-0150 • Fax: 864-834-3518 • www.tsbrass.com

| ITEM NO. | SALES NO. | DESCRIPTION |
|----------|---------------|-------------------------------------|
| 1 | 001686-45 | Blue Index - CW |
| 2 | 000925-45 | Lab Handle Screw |
| 3 | B-WH4 | 4" Wrist Action Handle |
| 4 | 016742-45 | Center Flange Nut |
| 5 | 016745-45 | Compression Nut & Fitting |
| 6 | 016752-40 | EasyInstall CWS LTC Eterna (Teflon) |
| 7 | 016749-45 | Sidebody C-Washer |
| 8 | 016777-45 | CWS Hanger |
| 9 | 000958-20 | Coupling Nut |
| 10 | 016753-40 | EasyInstall CWS RTC Eterna (Teflon) |
| 11 | 016743-25 | CWS Eterna Bonnet |
| 12 | 009002-25 | Packing Nut |
| 13 | 001257-40 | Bell Escutcheon |
| 14 | 001194-45 | Red Index - HW |
| 15 | B-0199-03-F12 | 1.2 GPM Aerator |



017245-40
 Installation Repair Kit
 Includes #4, (2)#7, & #8

Product Specifications:
 8" Deck Mount EasyInstall Lavatory Faucet, Eterna Cartridges, 4" Wrist Action Handles, Lavatory Spout, 1.2 GPM Aerator & 1/2" NPSM Male Inlets

Product Compliance:
 ASME A112.18.1 / CSA B125.1
 NSF 61 - Section 9
 NSF 372 (Low Lead Content)
 ANSI A117.1 (ADA)
 EPA WaterSense