



T&S BRASS AND BRONZE WORKS, INC.

2 Saddleback Cove / P.O. Box 1088
Travelers Rest, SC 29690

Model No.

B-2990-VF05

Item No.

Travelers Rest, SC: 800-476-4103 • Simi Valley, CA: 800-423-0150 • Fax: 864-834-3518 • www.tsbrass.com



ADA Compliant

This Space for Architect/Engineer Approval

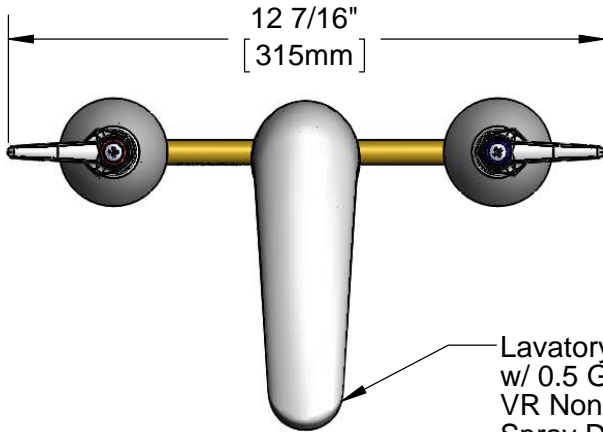
Job Name _____ Date _____

Model Specified _____ Quantity _____

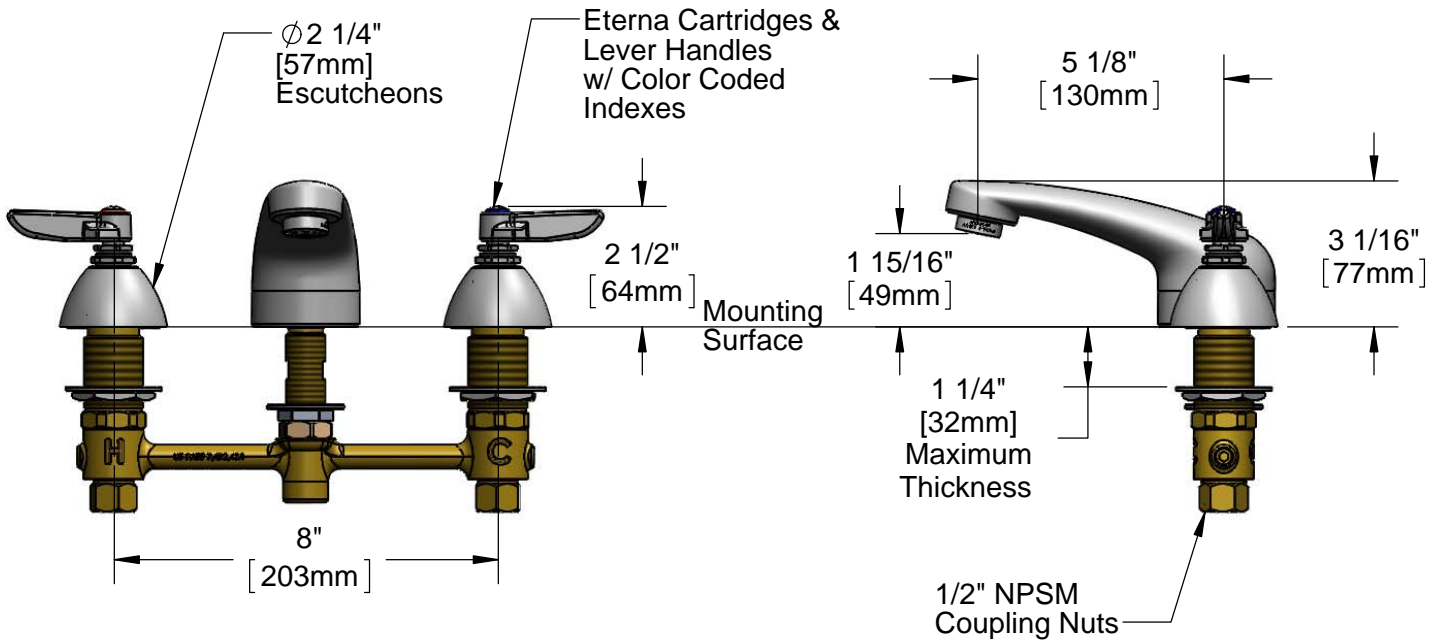
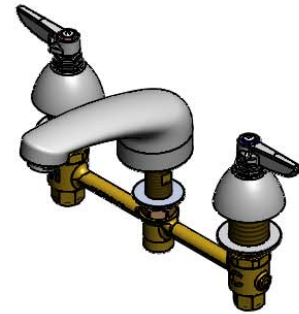
Customer/Wholesaler _____

Contractor _____

Architect/Engineer _____



Lavatory Spout
w/ 0.5 GPM
VR Non-Aerated
Spray Device



Rough-In Required:
Ø 1" [25mm] for Center Shank
Ø 1 1/2" [38mm] for Hot/Cold Side

Product Specifications:
EasyInstall 8" Concealed Widespread Mixing Faucet, Lever Handles, Eterna Cartridges & Lavatory Spout w/ 0.5 GPM VR Non-Aerated Spray Device

Product Compliance:
ASME A112.18.1 / CSA B125.1
NSF 61 - Section 9
NSF 372 (Low Lead Content)
ANSI A117.1 (ADA)



T&S BRASS AND BRONZE WORKS, INC.

2 Saddleback Cove / P.O. Box 1088
Travelers Rest, SC 29690

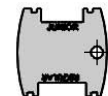
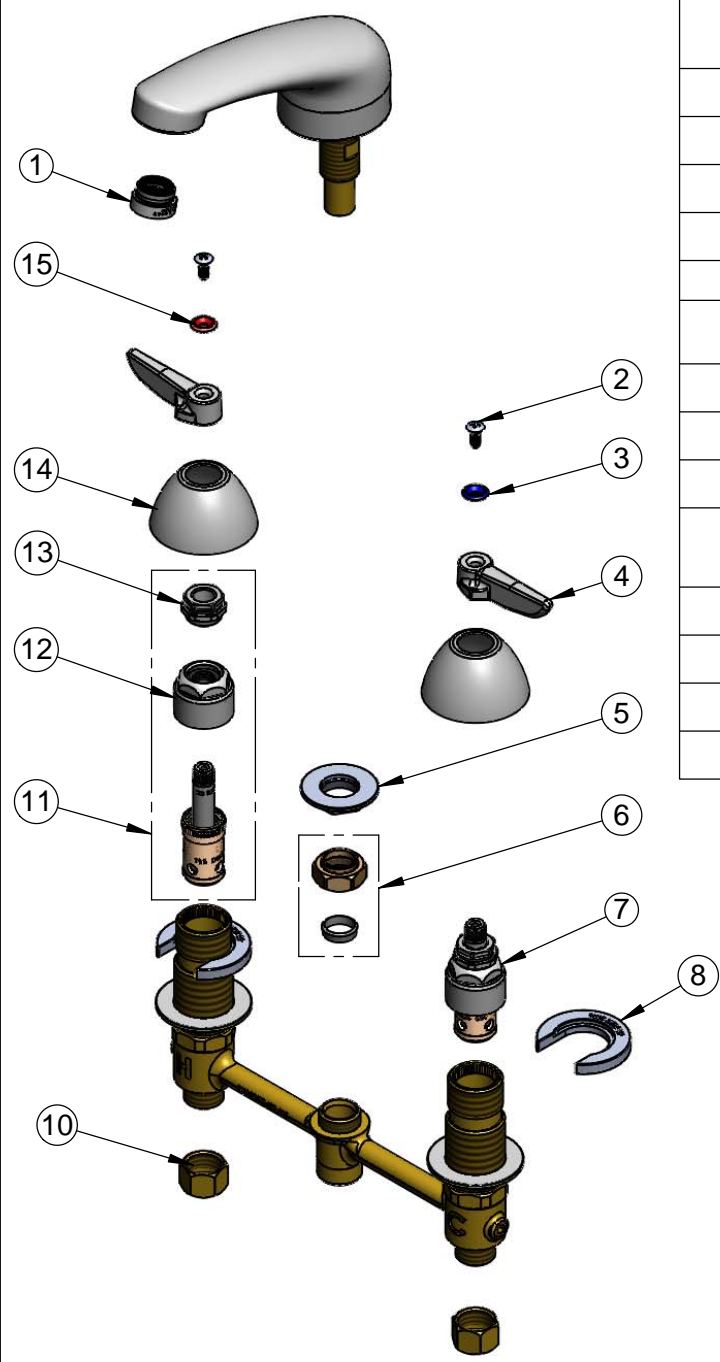
Model No.

B-2990-VF05

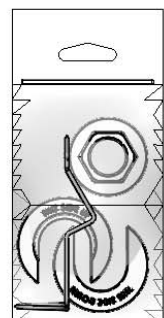
Item No.

Travelers Rest, SC: 800-476-4103 • Simi Valley, CA: 800-423-0150 • Fax: 864-834-3518 • www.tsbrass.com

ITEM NO.	SALES NO.	DESCRIPTION
1	B-0199-08-N05	0.5 GPM VR Spray Device, 13/16-27 Male
2	000922-45	Lever Handle Screw
3	001660-45	Blue Index-CW
4	001638-45	Lever Handle
5	016742-45	Center Flange Nut
6	016745-45	Compression Nut & Fitting
7	016742-40	EasyInstall RTC Eterna (Teflon)
8	016749-45	Sidebody C-Washer
9	016777-45	CWS Hanger
10	000958-20	Coupling Nut
11	016753-40	EasyInstall RTC Eterna (Teflon)
12	016743-25	CWS Bonnet
13	009002-25	Packing Nut
14	001257-40	Bell Escutcheon
15	001661-45	Red Index-HW



015425-45
Vandal Resistant Key
(Included w/ Spray Device)



017245-40
Installation Repair Kit
Includes #5, (2)#8, & #9

Product Specifications:
EasyInstall 8" Concealed Widespread Mixing Faucet, Lever Handles, Eterna Cartridges & Lavatory Spout w/ 0.5 GPM VR Non-Aerated Spray Device

Product Compliance:
ASME A112.18.1 / CSA B125.1
NSF 61 - Section 9
NSF 372 (Low Lead Content)
ANSI A117.1 (ADA)